
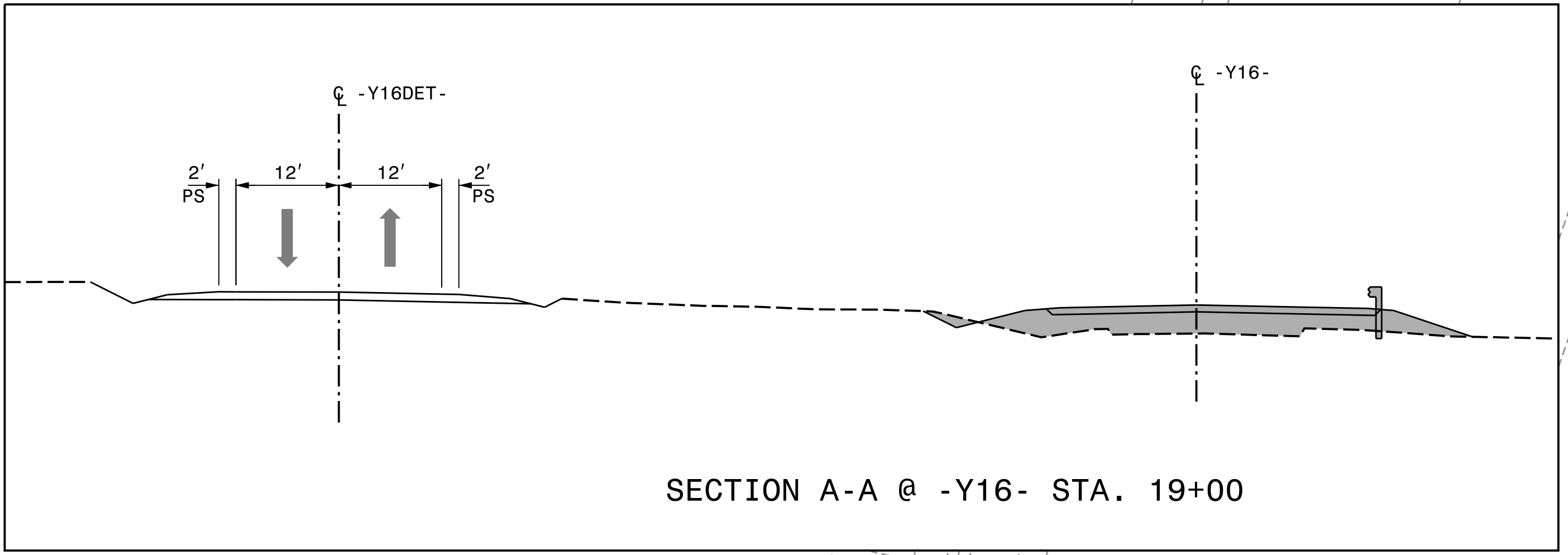
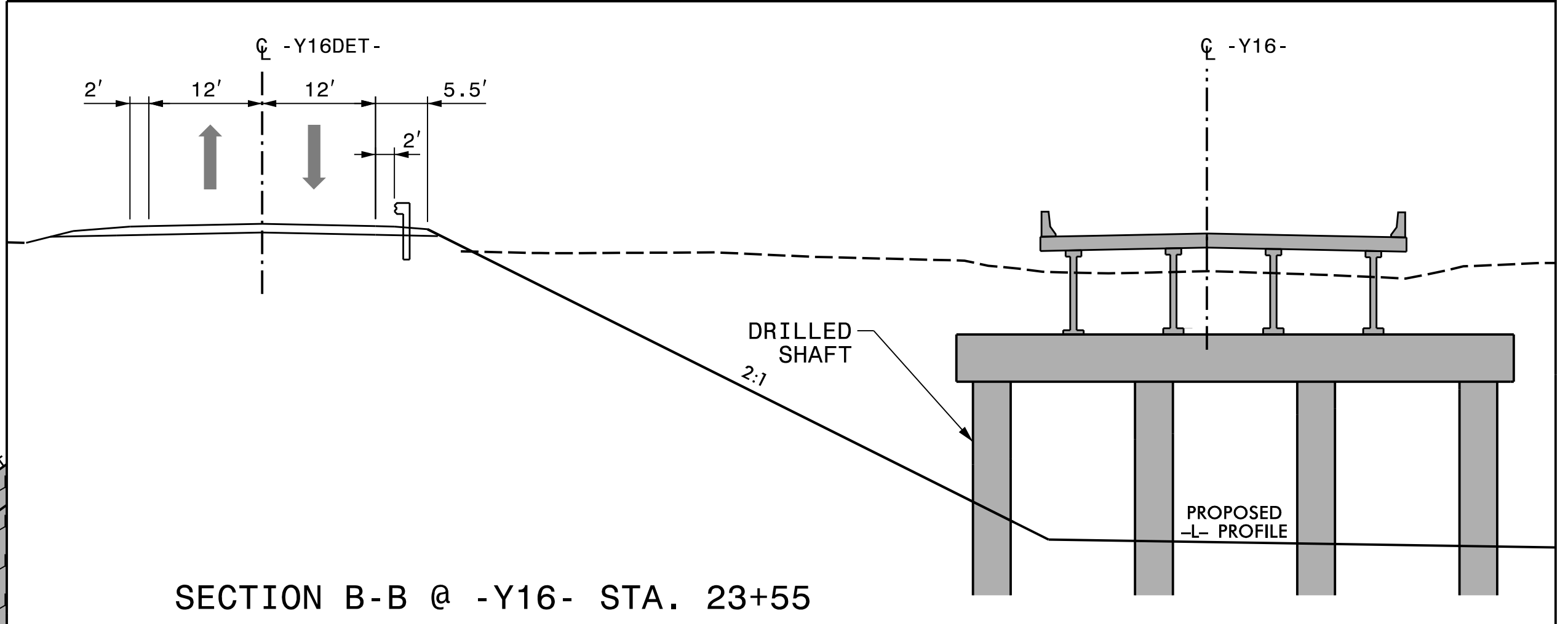
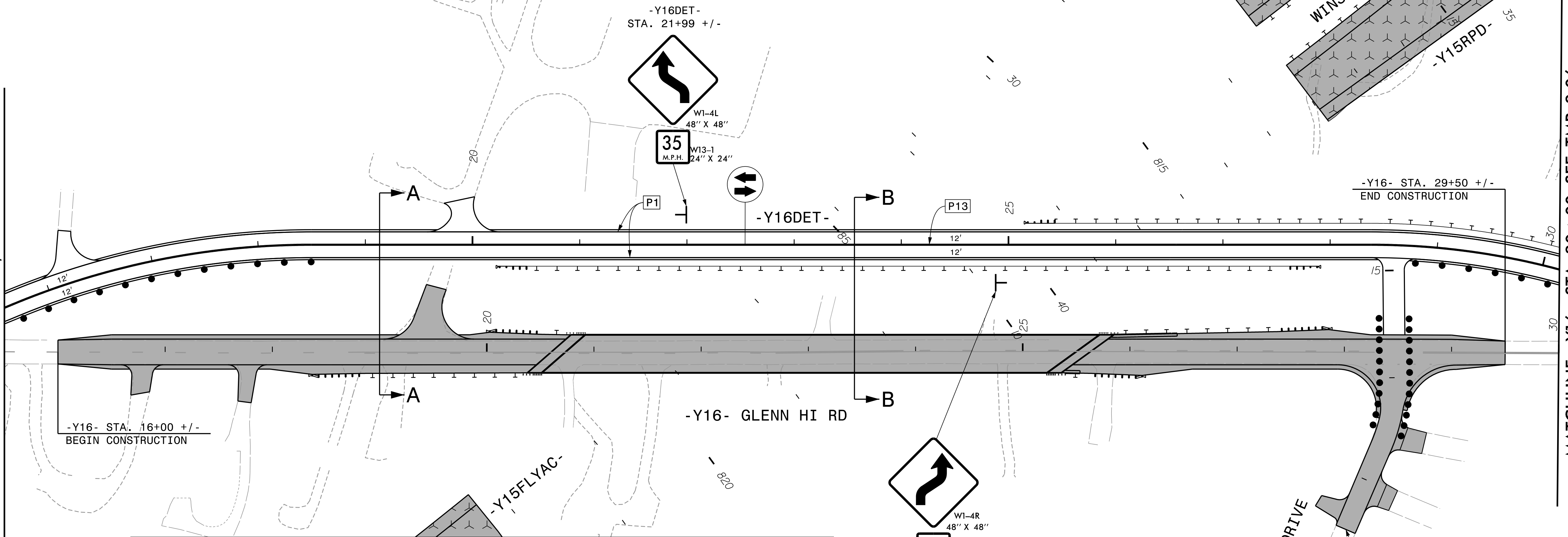


PROJ. REFERENCE NO.	SHEET NO.
U-2579AB	TMP-8.05
 HDR Engineering, Inc. of the Carolinas 555 Fayetteville St, Suite 900 Raleigh, N.C. 27601 N.C.B.E.L.S. License Number: F-0116	



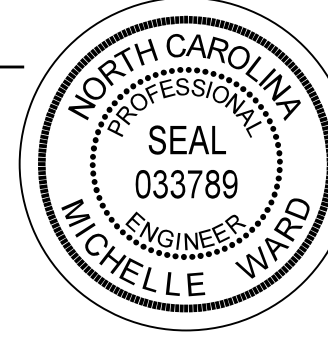
MATCHLINE -Y16- STA. 15+50, SEE TMP-8.04



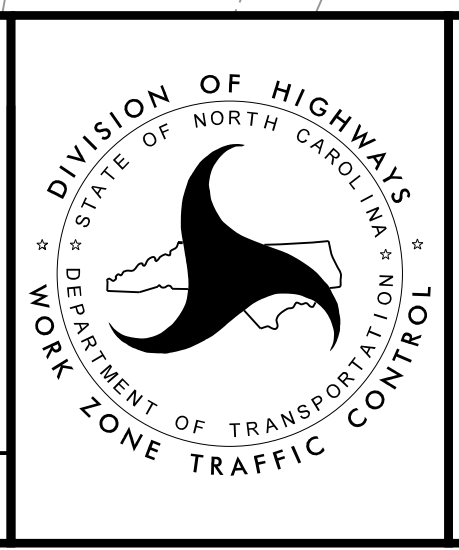
APPROVED: *Michelle Ward*

DATE: 10/13/2021

SEAL



DOCUMENT NOT CONSIDERED FINAL
UNLESS ALL SIGNATURES COMPLETED



AREA 5
PHASE 2

PLOT DRIVER: NCDOT_color_eng_50.plt
 USER: CHARNDEN
 DATE: 7/13/2021
 TIME: 5:19:50 PM
 FILE: p:\w\h\p\use\01\HDB\US-East\01\Documents\NCDOT\U2579AB\U2579AB\6.0\CAD\BTM\6.2\Work\In_Progress\U-2579AB\T\TrafficControl\TCP\U2579AB_TC_TMP-08.05_Area_5_Phase_2_Sheet_2

REVISIONS