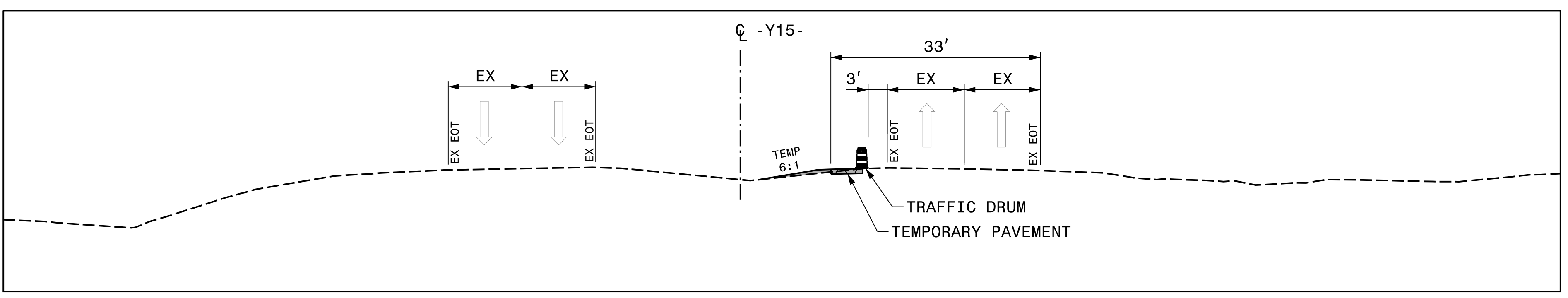
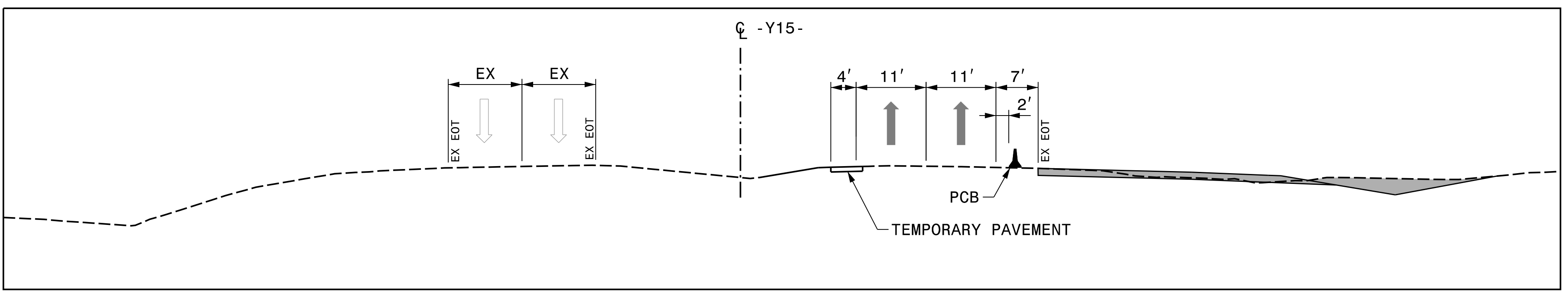


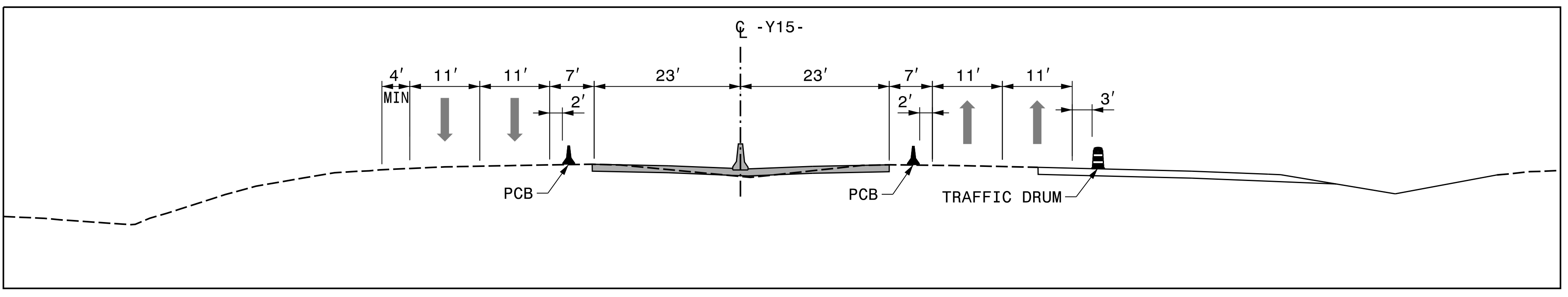
PHASE 1, STEP 1



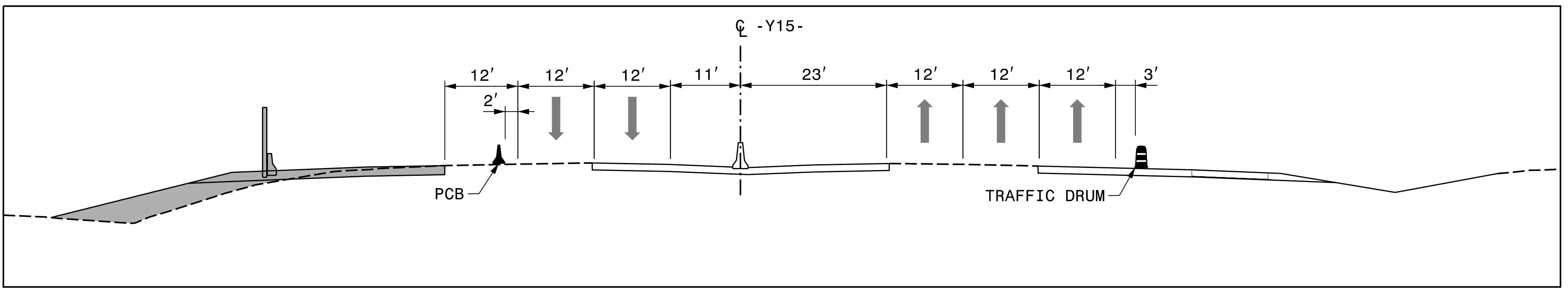
PHASE 1, STEP 2



PHASE 2, STEP 1



PHASE 4, STEP 1

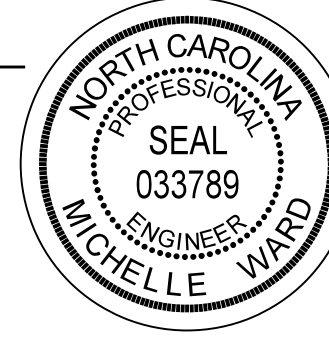


REVISIONS

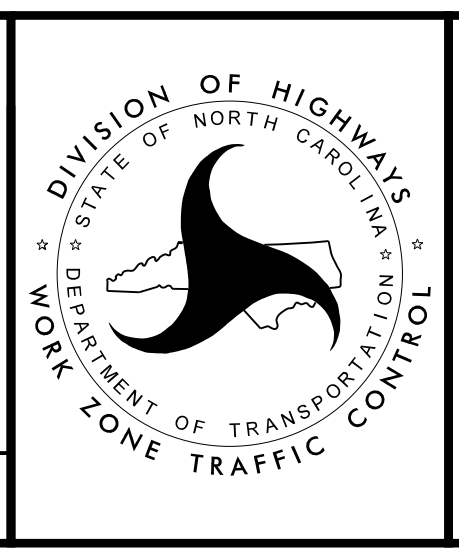
PLOT DRIVER: NCDOT_pdf_color_eng_50.plt
 USER: CHARNDEN
 FILE: p:\dwg\hdr\use01\hdb\us_east_01\documents\NCDOT\NCDOT-U2579AB\6.0.CAD.BTM\6.2.Work.In_Progress\U-2579AB\TC.TMP-07.79_Area_4_Cut_Sections

APPROVED: *Michelle Ward*
 DATE: 10/13/2021

SEAL



**DOCUMENT NOT CONSIDERED FINAL
 UNLESS ALL SIGNATURES COMPLETED**



AREA 4
 CUT SECTION A-A
 -Y15- STA. 40+00