

STATE OF
NORTH CAROLINA
DEPT. OF TRANSPORTATION
DIVISION OF HIGHWAYS
RALEIGH, N.C.

ENGLISH DETAIL DRAWING FOR
CONCRETE ISLANDS
8" NON-MOUNTABLE

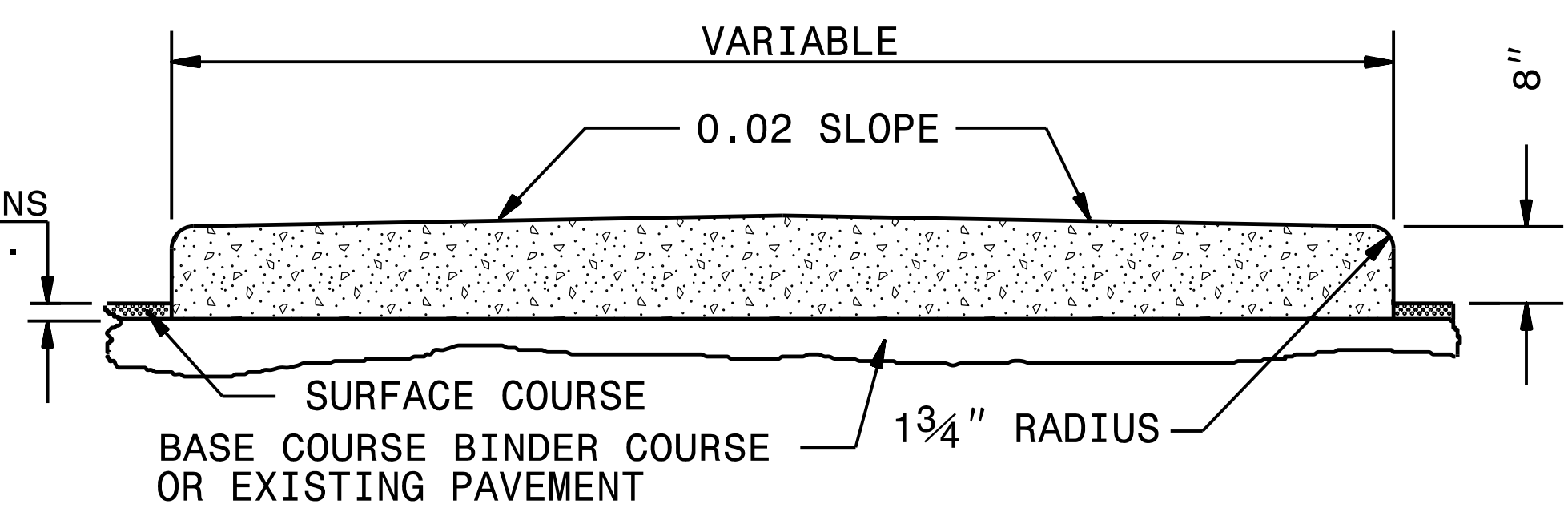
SHEET 1 OF 1
852D01

STATE OF
NORTH CAROLINA
DEPT. OF TRANSPORTATION
DIVISION OF HIGHWAYS
RALEIGH, N.C.

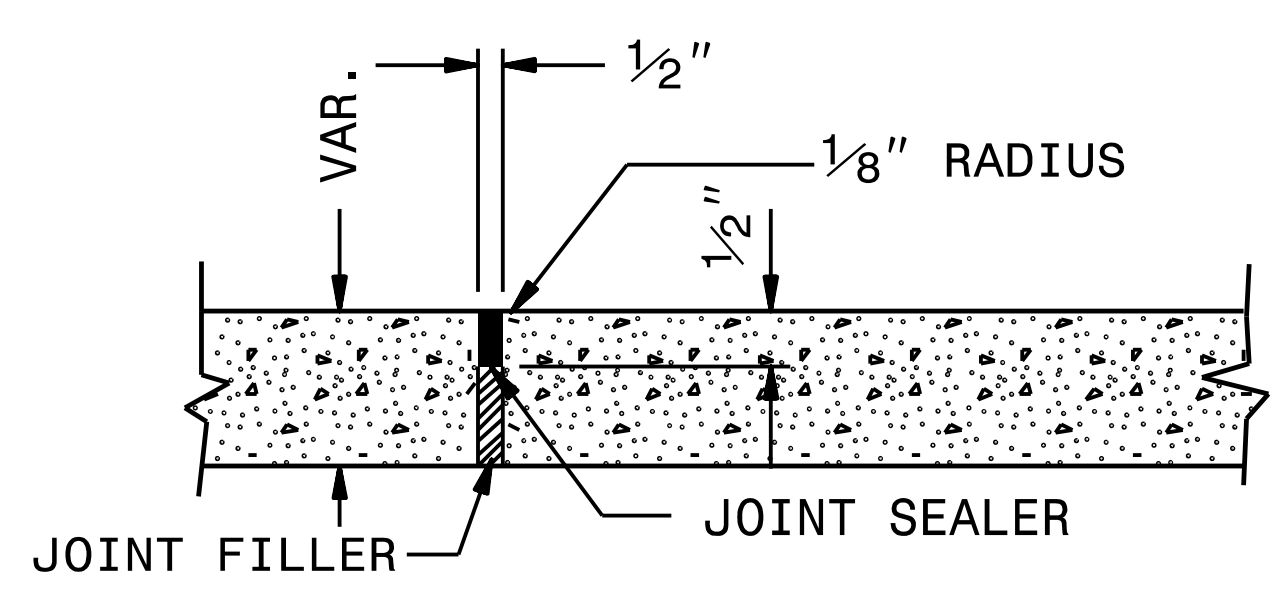
ENGLISH DETAIL DRAWING FOR
CONCRETE ISLANDS
8" NON-MOUNTABLE

SHEET 1 OF 1
852D01

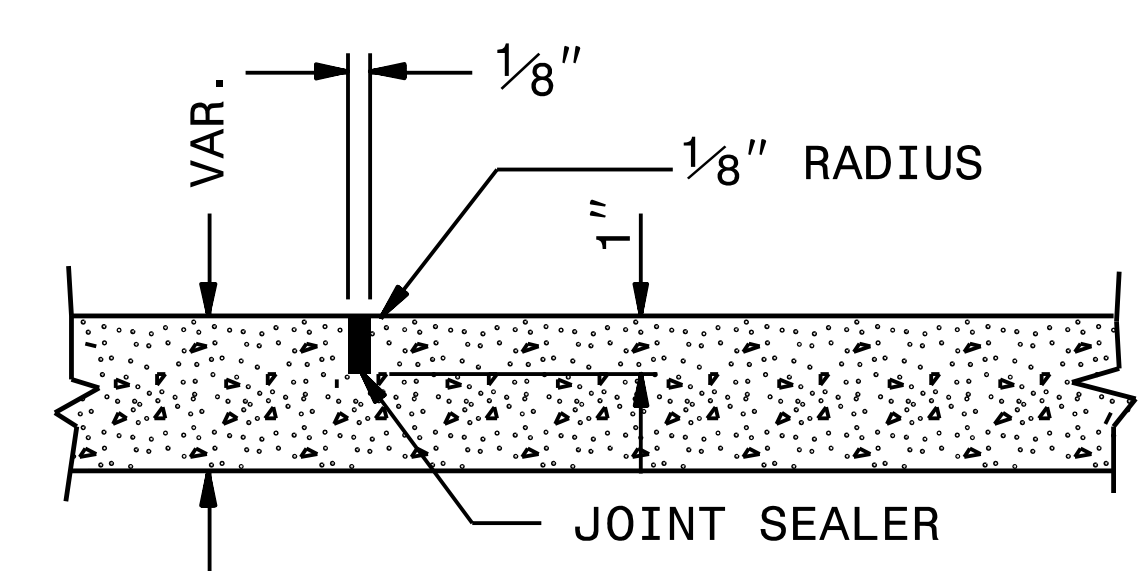
SEE TYPICAL SECTIONS
FOR PAVEMENT DEPTH.
KEY IN ON THE
LAST LAYER OF
PAVEMENT SURFACE
COURSE



**8" MONOLITHIC CONCRETE ISLAND (KEYED IN)
ON ASPHALT OR CONCRETE PAVEMENT**



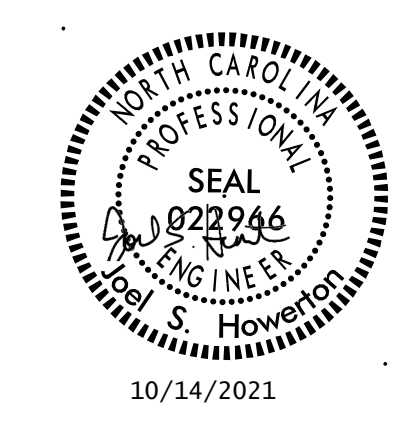
SHOWING EXPANSION JOINT



SHOWING GROOVED JOINT

PARTIAL LONGITUDINAL SECTIONS
OF PAVED ISLANDS

NOTE:
REFER TO ROADWAY STANDARD NO. 852.01
SEE ROADWAY PLANS FOR ISLAND DIMENSIONS
AND PAVEMENT DESIGN.



**PROJECT SERVICES UNIT
STANDARDS AND SPECIAL DESIGN**
Office 919-250-4128 FAX 919-250-4119

SEE PLATE FOR TITLE

ORIGINAL BY: STD.852.01 DATE: _____
MODIFIED BY: K.A.Kempf DATE: 1-31-08
CHECKED BY: _____ DATE: _____
FILE SPEC.: w:\tsp\11\stand\852d01\is1keyin.dgn

DOCUMENT NOT CONSIDERED FINAL
UNLESS ALL SIGNATURES COMPLETED

\$\$\$\$SYTIME\$\$\$\$
\$\$\$\$CPL\$\$\$\$
\$\$\$\$CDUSERNAME\$\$\$\$