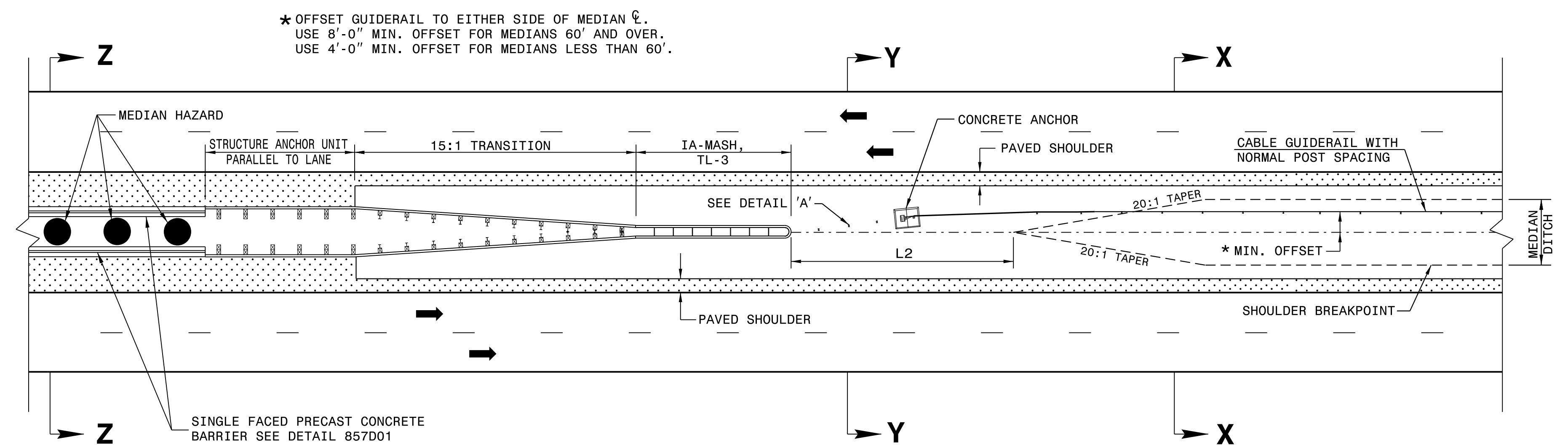


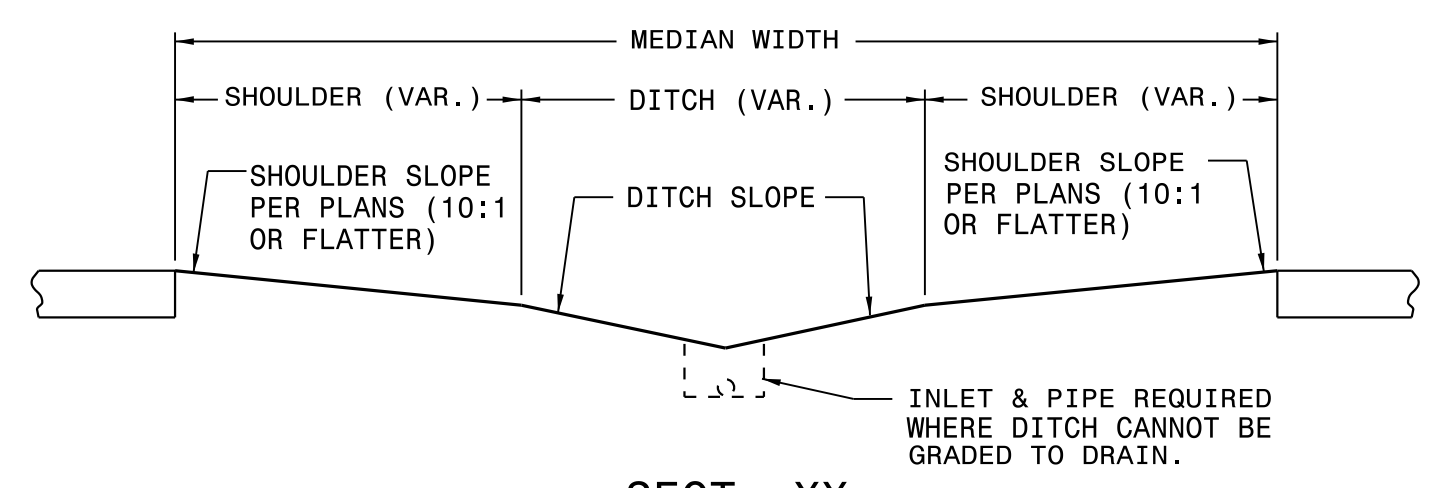
STATE OF NORTH CAROLINA
 DEPT. OF TRANSPORTATION
 DIVISION OF HIGHWAYS
 RALEIGH, N.C.

ROADWAY DETAIL DRAWING FOR
CABLE GUIDERAIL
 MEDIAN HAZARD GUIDERAIL LAYOUT

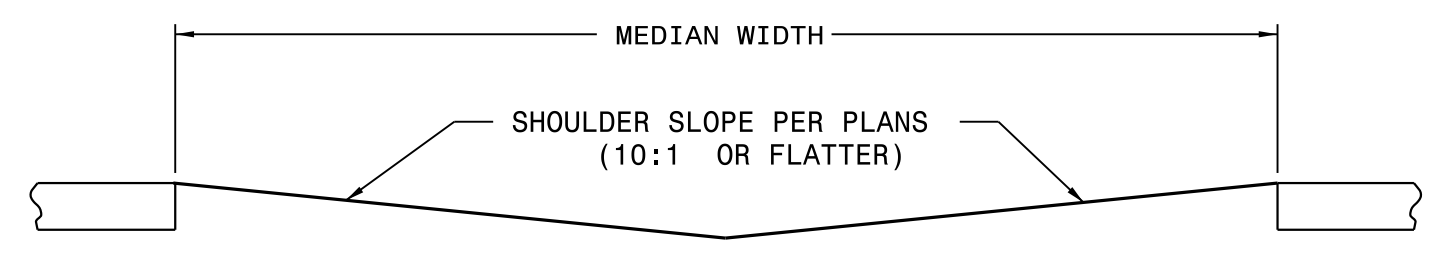
SHEET 1 OF 12
865D01



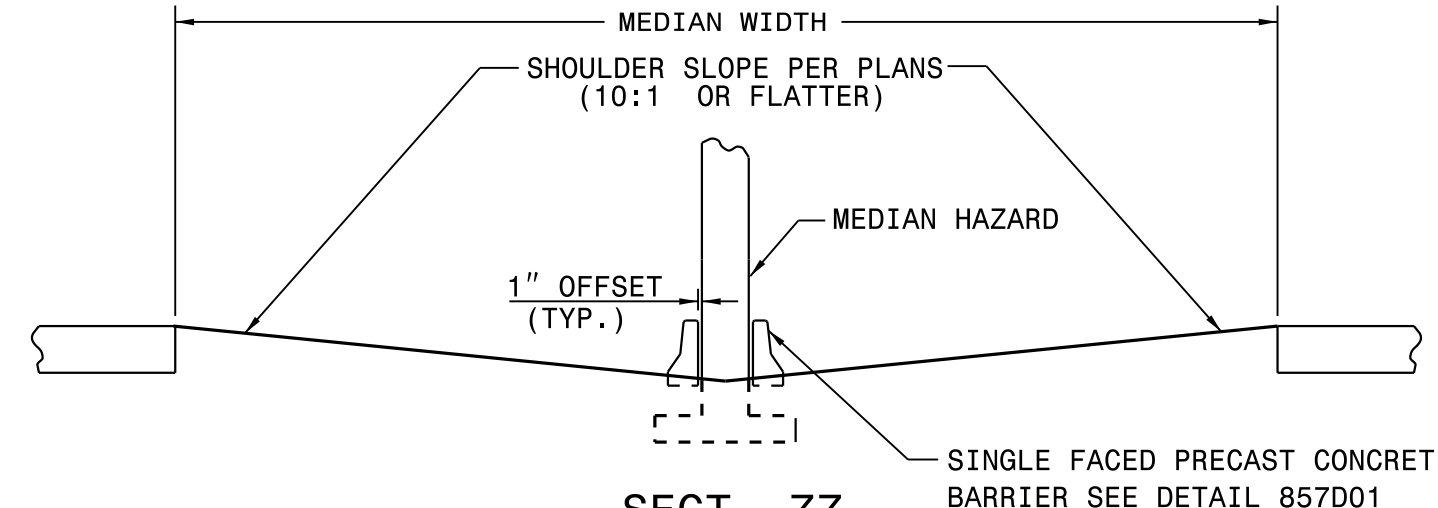
* OFFSET GUIDERAIL TO EITHER SIDE OF MEDIAN C.
 USE 8'-0" MIN. OFFSET FOR MEDIANS 60' AND OVER.
 USE 4'-0" MIN. OFFSET FOR MEDIANS LESS THAN 60'.



SECT. XX

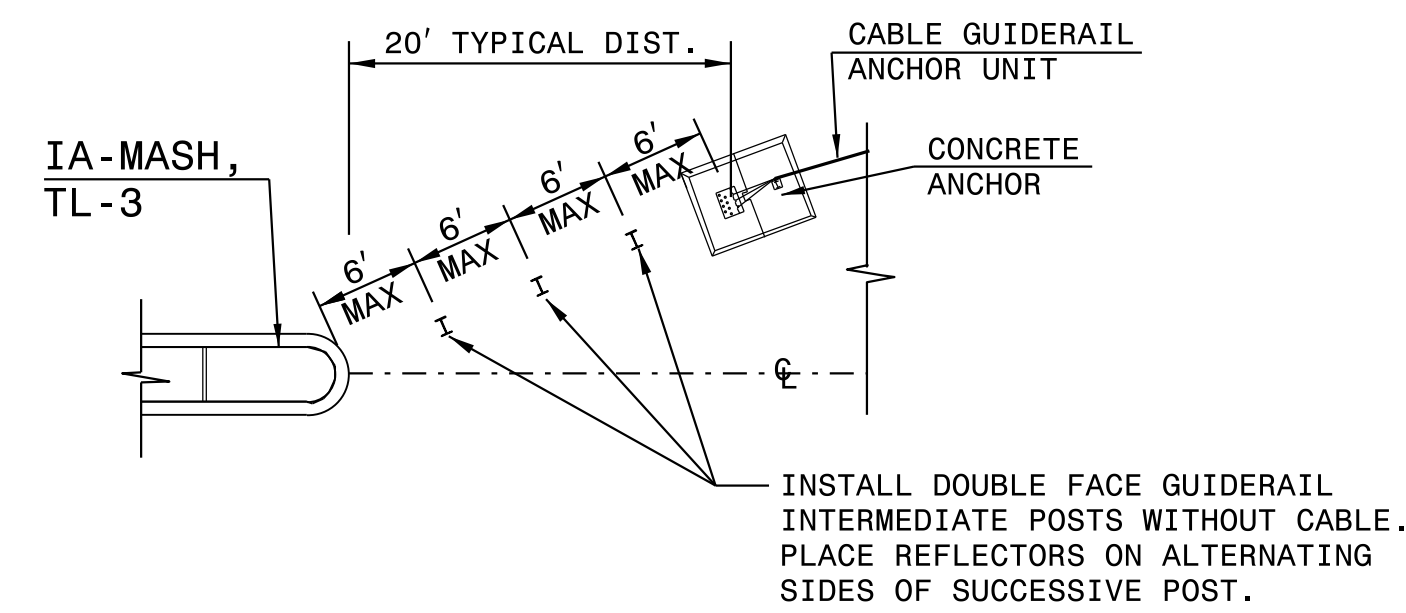


SECT. YY



SECT. ZZ

LIMITS OF -L2-	
MEDIAN WIDTH	-L2- DIMENSION
30'	80.0'
36'	60.0'
40' & ABOVE	40.0'



NOTE: POSTS WILL ONLY BE PLACED IN ONE OF THE TWO OPENINGS AT EACH MEDIAN HAZARD UNLESS OTHERWISE DIRECTED BY THE ENGINEER.

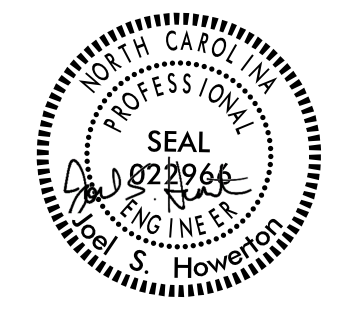
DETAIL 'A'

DETAIL OF TREATMENT AT MEDIAN HAZARDS

STATE OF NORTH CAROLINA
 DEPT. OF TRANSPORTATION
 DIVISION OF HIGHWAYS
 RALEIGH, N.C.

ROADWAY DETAIL DRAWING FOR
CABLE GUIDERAIL
 MEDIAN HAZARD GUIDERAIL LAYOUT

SHEET 1 OF 12
865D01



10/14/2021

DOCUMENT NOT CONSIDERED FINAL UNLESS ALL SIGNATURES COMPLETED

CONTRACT STANDARDS AND DEVELOPMENT UNIT
 Office 919-707-6950 FAX 919-250-4119

SEE TITLE BLOCK

ORIGINAL BY: J. HOWERTON DATE: 08-23-18
 MODIFIED BY: DATE:
 CHECKED BY: DATE:
 FILE SPEC.:

31-JAN-2019 10:43
 S:\Contracts\Contract\SS\Standard Drawings\2018 Standard Drawings\Division 8\865D01 Impact Attenuator Sheet 1.dgn
 J. Howerton A1 CS0-232955