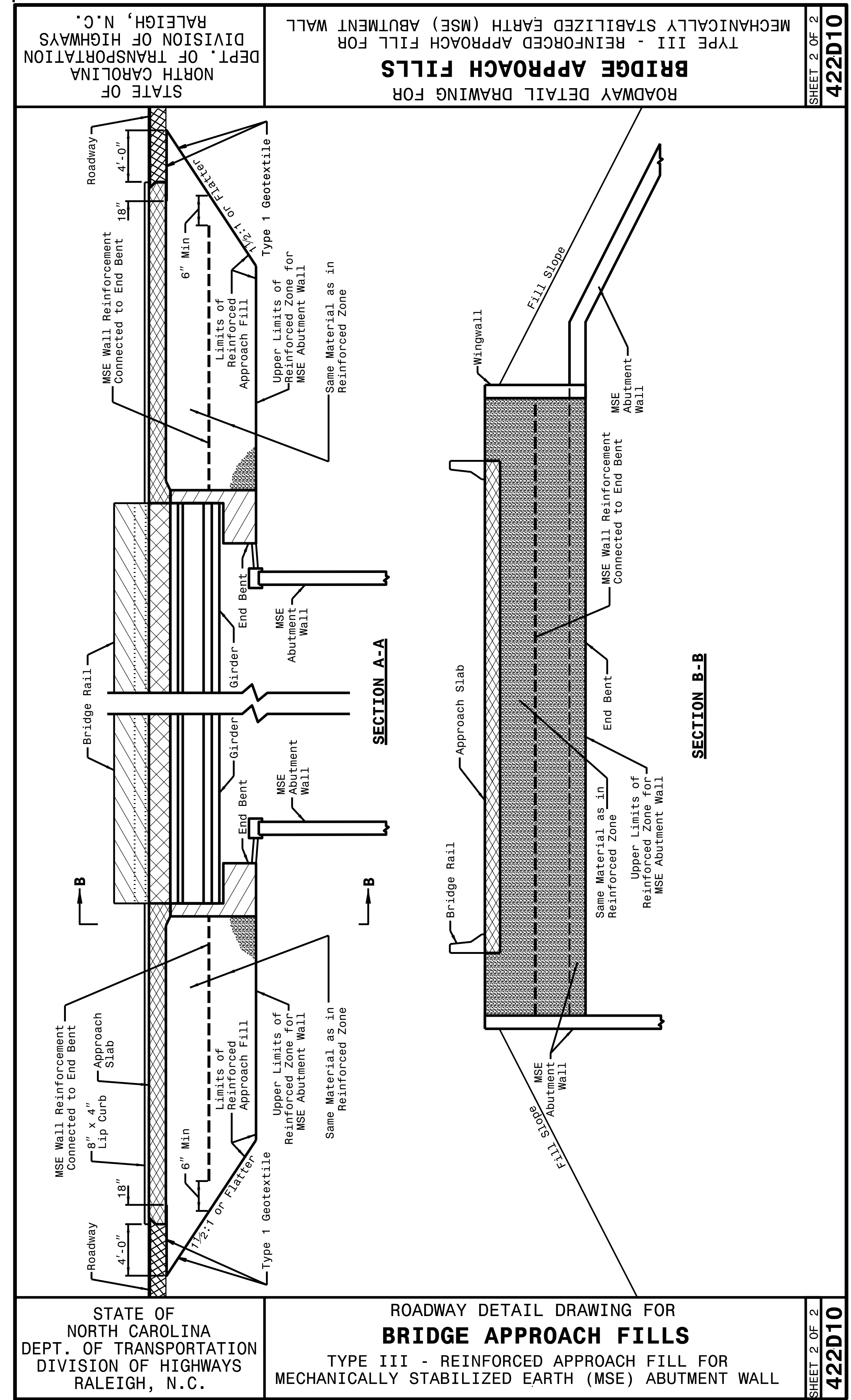


STATE OF
NORTH CAROLINA
DEPT. OF TRANSPORTATION
DIVISION OF HIGHWAYS
RALEIGH, N.C.

ROADWAY DETAIL DRAWING FOR
TYPE III - REINFORCED APPROACH FILL FOR
MECHANICALLY STABILIZED EARTH (MSE) ABUTMENT WALL

STATE OF
NORTH CAROLINA
DEPT. OF TRANSPORTATION
DIVISION OF HIGHWAYS
RALEIGH, N.C.

ROADWAY DETAIL DRAWING FOR
BRIDGE APPROACH FILLS
TYPE III - REINFORCED APPROACH FILL FOR
MECHANICALLY STABILIZED EARTH (MSE) ABUTMENT WALL



STATE OF
NORTH CAROLINA
DEPT. OF TRANSPORTATION
DIVISION OF HIGHWAYS
RALEIGH, N.C.

ROADWAY DETAIL DRAWING FOR
TYPE III - REINFORCED APPROACH FILL FOR
MECHANICALLY STABILIZED EARTH (MSE) ABUTMENT WALL

STATE OF
NORTH CAROLINA
DEPT. OF TRANSPORTATION
DIVISION OF HIGHWAYS
RALEIGH, N.C.

ROADWAY DETAIL DRAWING FOR
BRIDGE APPROACH FILLS
TYPE III - REINFORCED APPROACH FILL FOR
MECHANICALLY STABILIZED EARTH (MSE) ABUTMENT WALL

**CONTRACTS STANDARDS
AND DEVELOPMENT UNIT**
Office 919-707-6950 FAX 919-250-4119

**TYPE III
REINFORCED
APPROACH FILLS**

ORIGINAL BY: K. A. KEMPF DATE: JULY 2017
 MODIFIED BY: DATE: _____
 CHECKED BY: DATE: _____
 FILE SPEC.: 2018 standard drawings\division 422d10.dgn