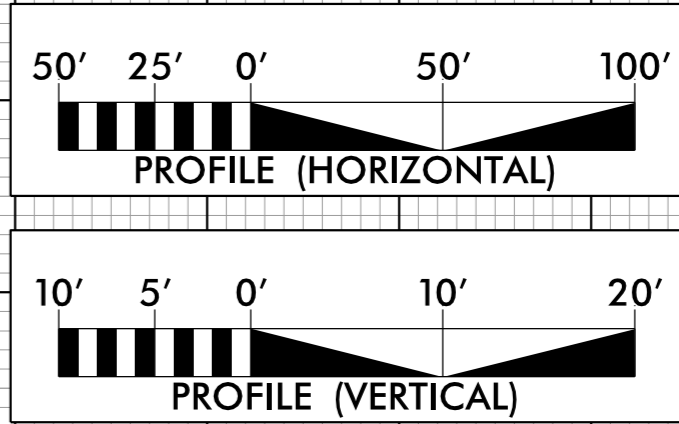


5/28/99

# -WL3-

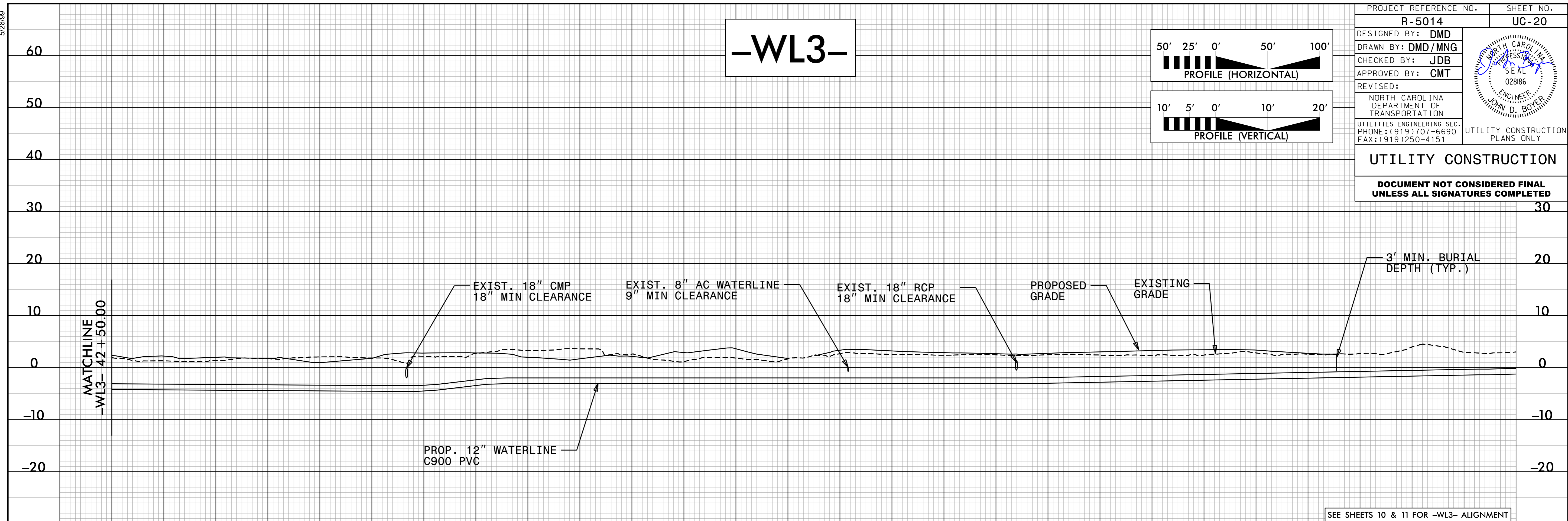


PROJECT REFERENCE NO. <b>R-5014</b>	SHEET NO. <b>UC-20</b>
DESIGNED BY: <b>DMD</b>	
DRAWN BY: <b>DMD/MNG</b>	
CHECKED BY: <b>JDB</b>	
APPROVED BY: <b>CMT</b>	
REVISED:	
NORTH CAROLINA DEPARTMENT OF TRANSPORTATION UTILITIES ENGINEERING SEC. PHONE: (919) 707-6690 FAX: (919) 250-4151	
UTILITY CONSTRUCTION PLANS ONLY	

## UTILITY CONSTRUCTION

DOCUMENT NOT CONSIDERED FINAL UNLESS ALL SIGNATURES COMPLETED

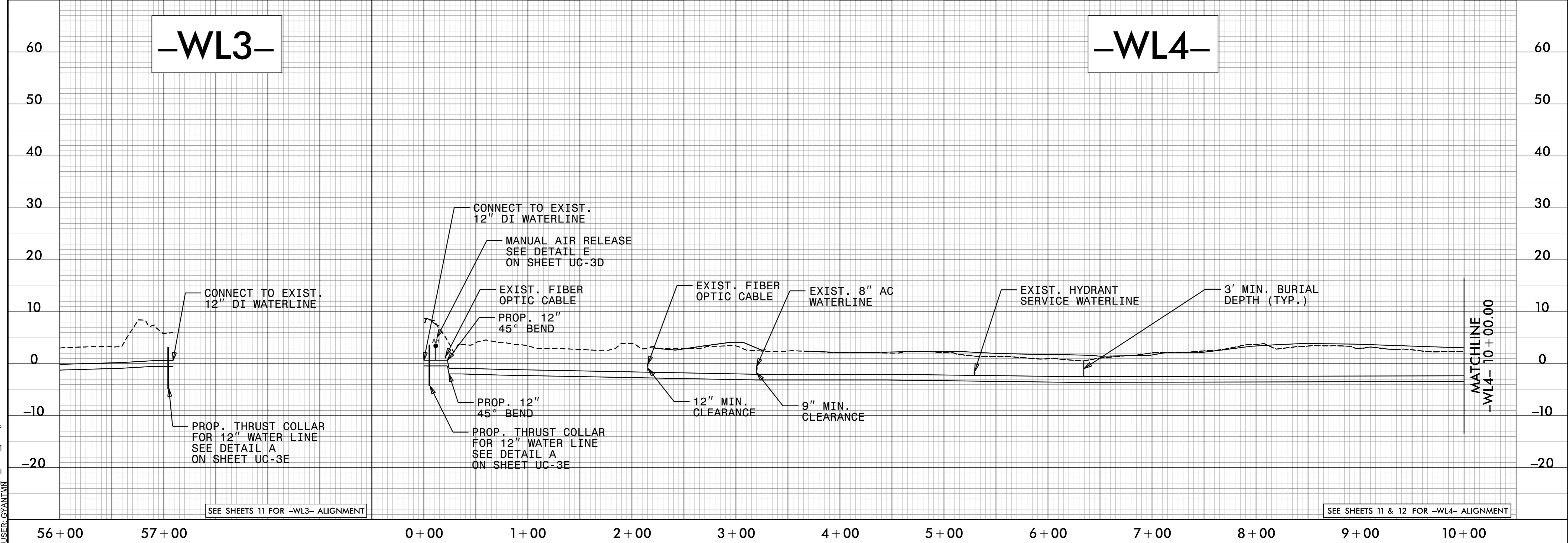
30



43+00 44+00 45+00 46+00 47+00 48+00 49+00 50+00 51+00 52+00 53+00 54+00 55+00 56+00

# -WL3-

# -WL4-

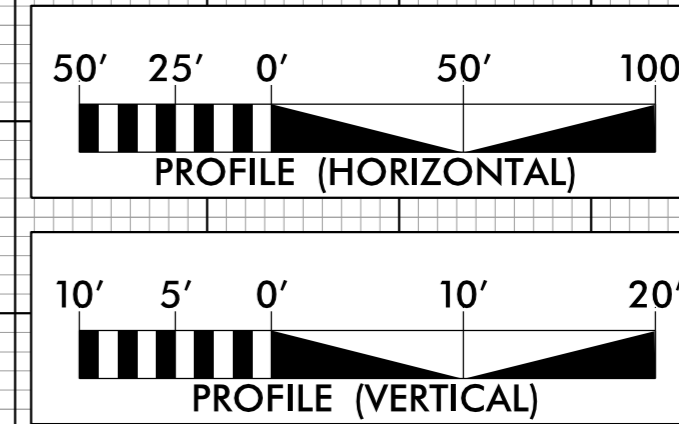


56+00 57+00 0+00 1+00 2+00 3+00 4+00 5+00 6+00 7+00 8+00 9+00 10+00

SYSTEM: R5014\_U\_UC20\_pst.dgn  
USER: GYANT/M

5/28/99

# -WL4-



PROJECT REFERENCE NO. <b>R-5014</b>	SHEET NO. <b>UC-21</b>
DESIGNED BY: <b>DMD</b>	
DRAWN BY: <b>DMD/MNG</b>	
CHECKED BY: <b>JDB</b>	
APPROVED BY: <b>CMT</b>	
REVISED:	
NORTH CAROLINA DEPARTMENT OF TRANSPORTATION UTILITIES ENGINEERING SEC. PHONE: (919) 707-6690 FAX: (919) 250-4151	
UTILITY CONSTRUCTION PLANS ONLY	

## UTILITY CONSTRUCTION

DOCUMENT NOT CONSIDERED FINAL UNLESS ALL SIGNATURES COMPLETED

30

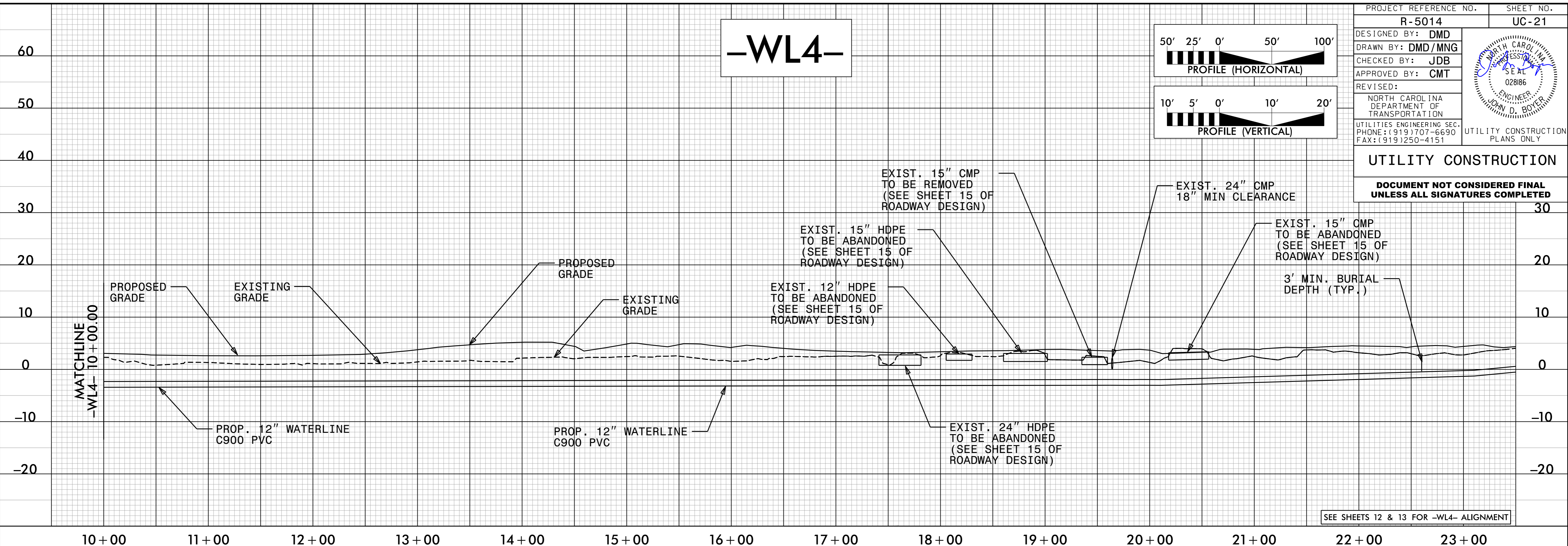
20

10

0

-10

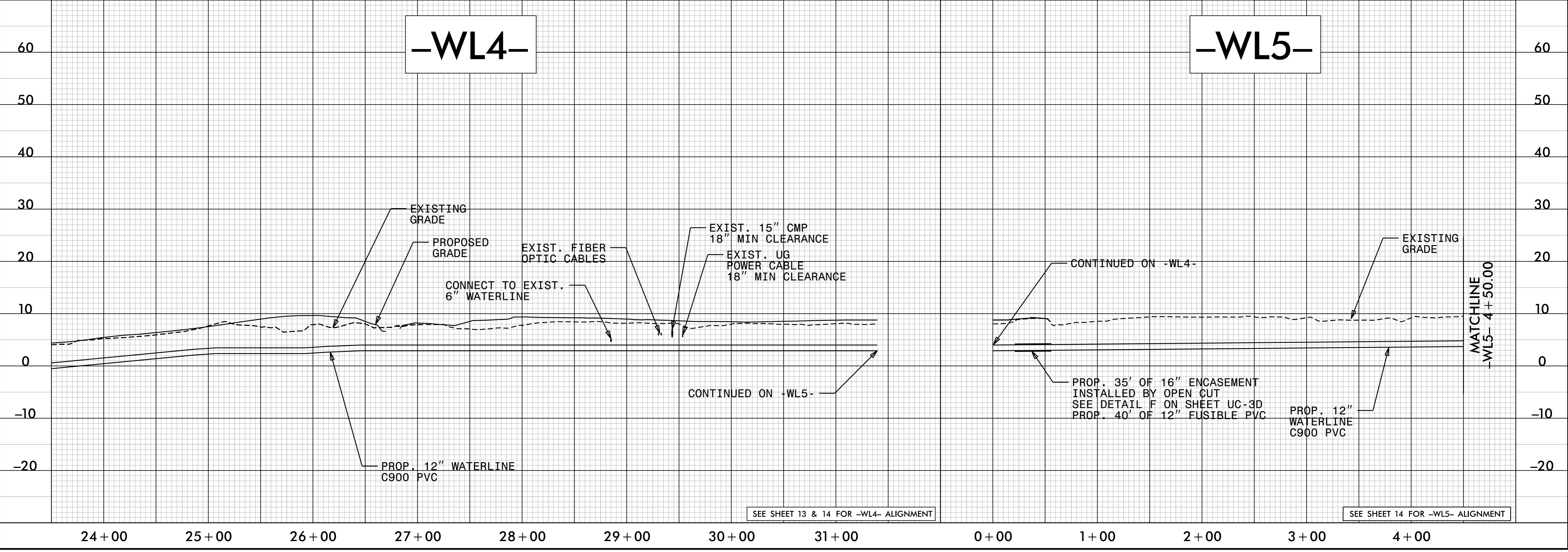
-20



SEE SHEETS 12 & 13 FOR -WL4- ALIGNMENT

# -WL4-

# -WL5-



SEE SHEET 13 & 14 FOR -WL4- ALIGNMENT

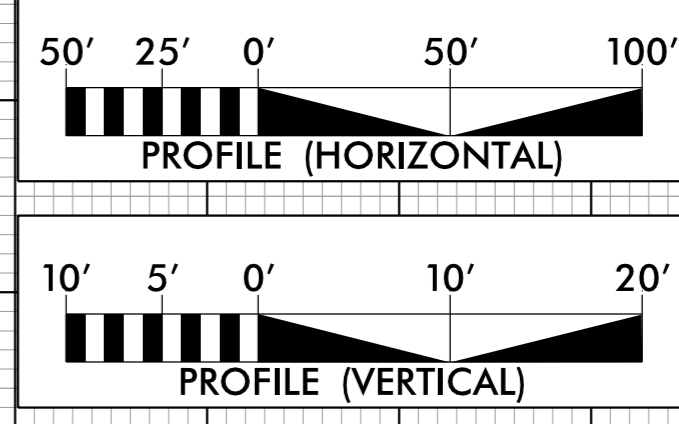
SEE SHEET 14 FOR -WL5- ALIGNMENT

SYSTEM: R0914\_U\_UC21\_pst.dgn  
USER: CANTANK



5/28/99

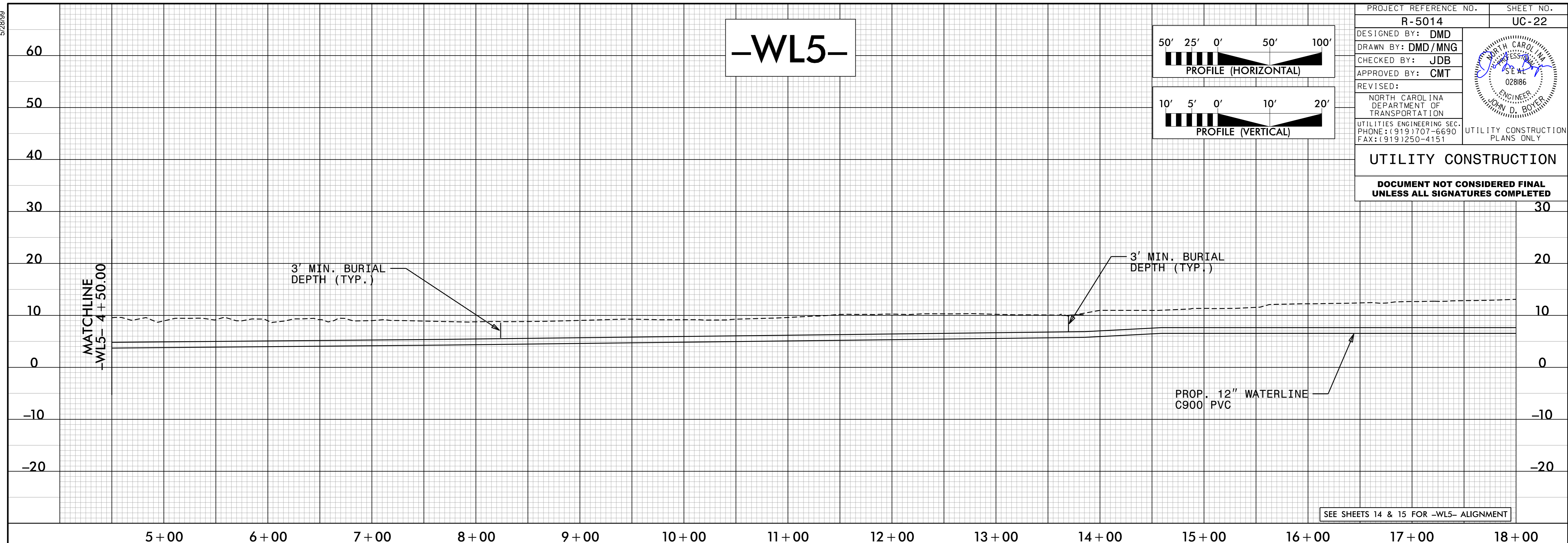
# -WL5-



PROJECT REFERENCE NO.	SHEET NO.
R-5014	UC-22
DESIGNED BY: DMD	
DRAWN BY: DMD/MNG	
CHECKED BY: JDB	
APPROVED BY: CMT	
REVISED:	
NORTH CAROLINA DEPARTMENT OF TRANSPORTATION UTILITIES ENGINEERING SEC. PHONE: (919) 707-6690 FAX: (919) 250-4151	
UTILITY CONSTRUCTION PLANS ONLY	

**UTILITY CONSTRUCTION**

**DOCUMENT NOT CONSIDERED FINAL  
UNLESS ALL SIGNATURES COMPLETED**



# -WL5-

SYSTEMS  
USER: C:\ANIMAT

