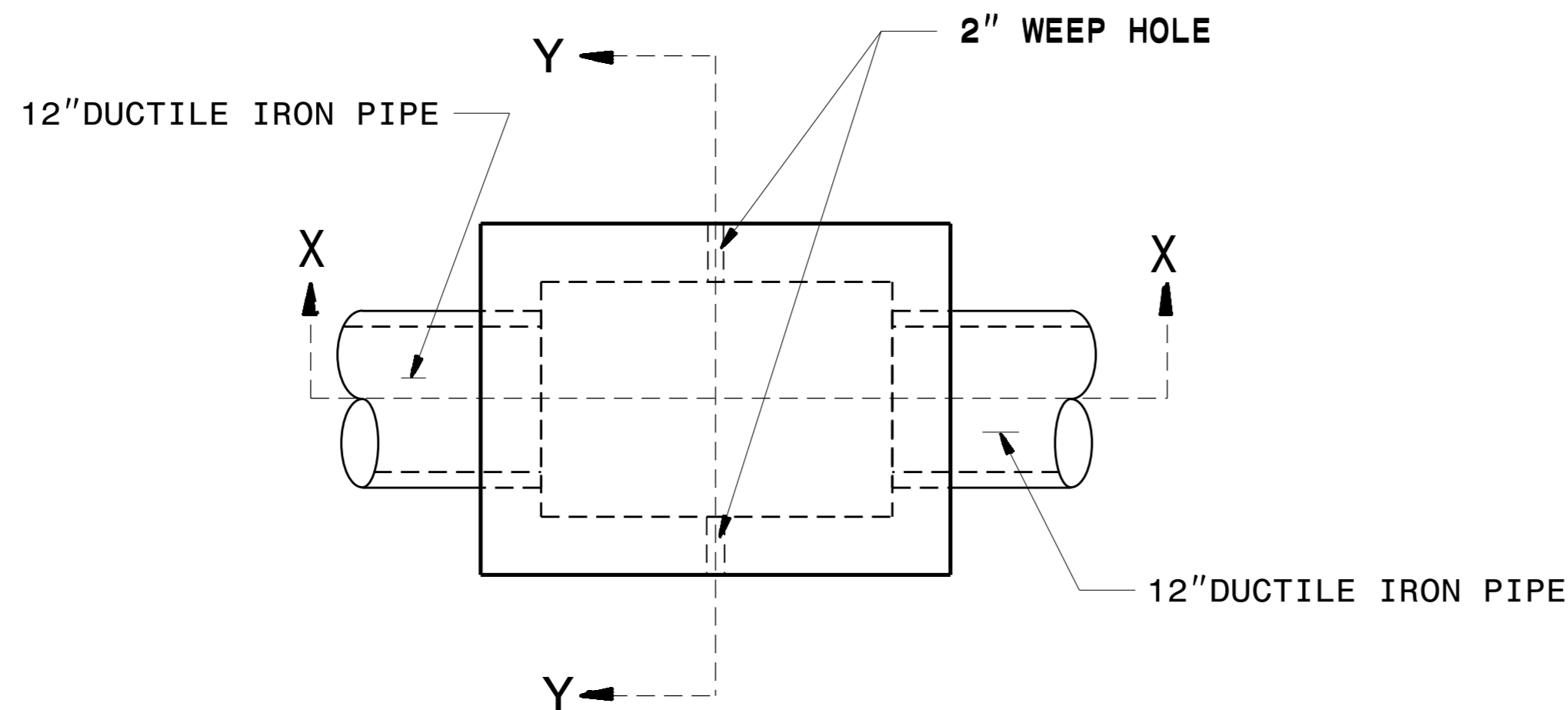


STATE OF NORTH CAROLINA DEPT. OF TRANSPORTATION DIVISION OF HIGHWAYS RALEIGH, N.C.

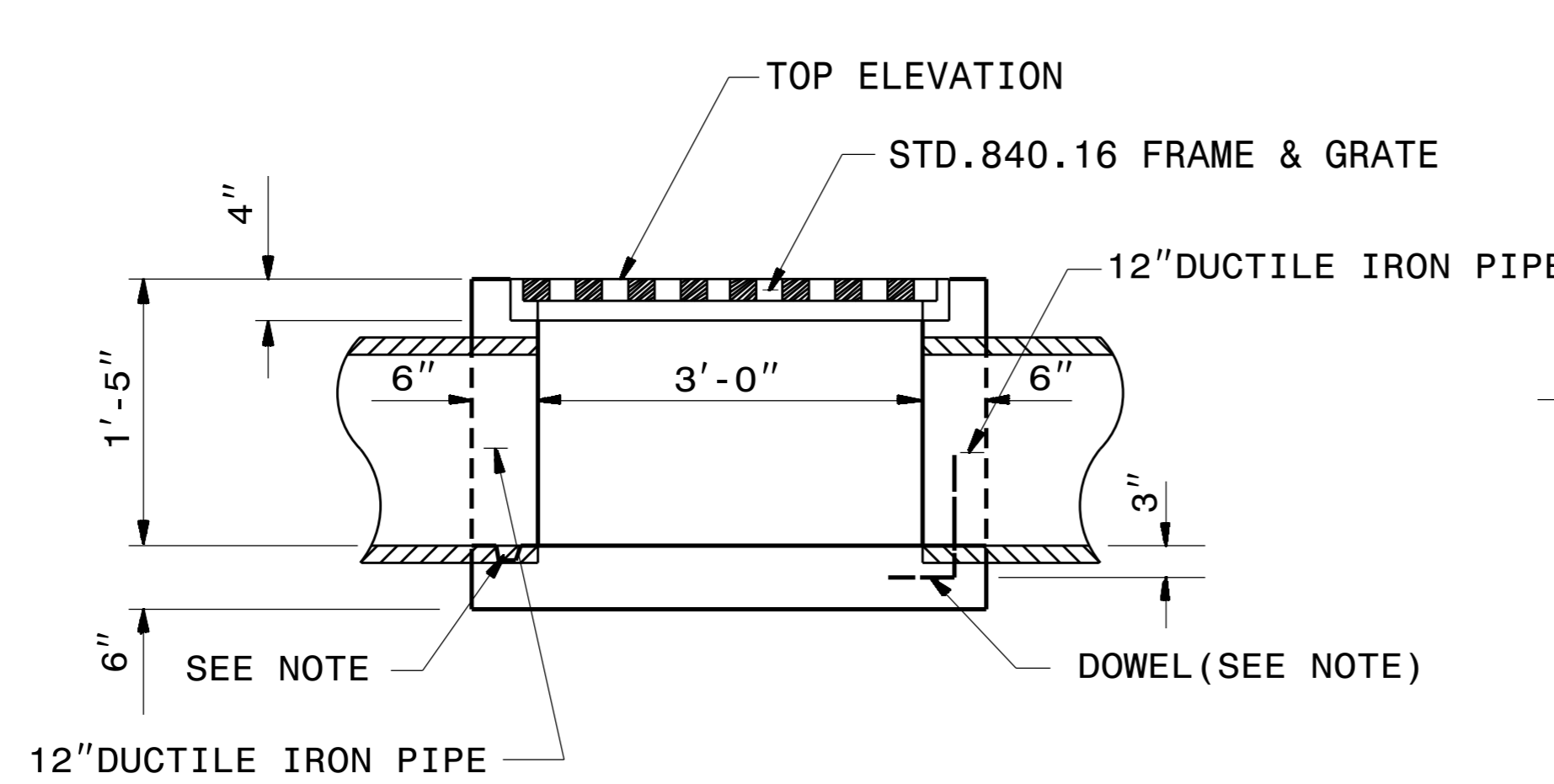
ENGLISH DETAIL DRAWING FOR SPECIAL CONCRETE DROP INLET 12" DUCTILE IRON PIPE

SHEET 1 OF 1 840D14

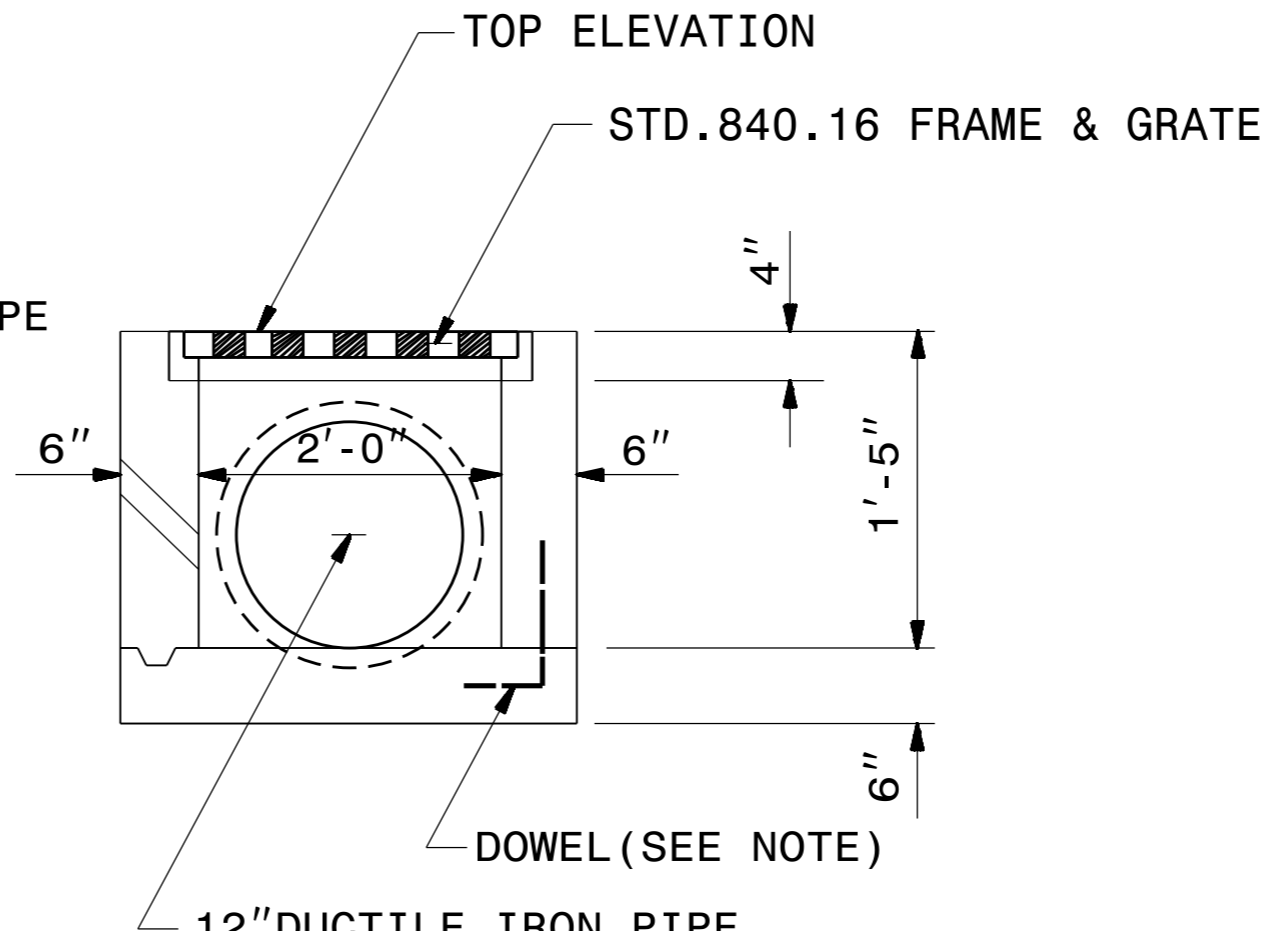


PLAN WITH GRATE & FRAME REMOVED

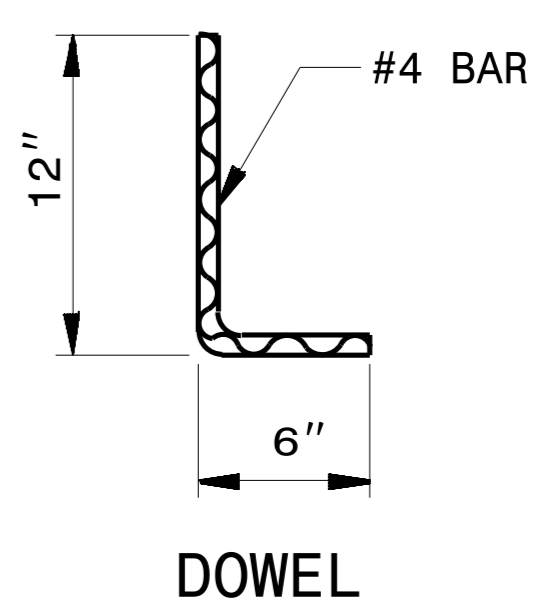
GENERAL NOTES: USE CLASS "B" CONCRETE THROUGHOUT. OPTIONAL CONSTRUCTION - MONOLITHIC POUR 2" KEYWAY OR #4 BAR DOWELS AT 12" CENTERS AS DIRECTED BY THE ENGINEER. USE FORMS FOR THE CONSTRUCTION OF THE BOTTOM SLAB. INSTALL 2" WEEPHOLES AS DIRECTED BY THE ENGINEER. INSTALL STONE DRAINS, OF A MINIMUM OF 1 CUBIC FOOT OF NO. 78M STONE IN A POROUS FABRIC BAG OR WRAP, AT EACH WEEP HOLE OR AS DIRECTED BY THE ENGINEER. CHAMFER ALL EXPOSED CORNERS 1". DRAWING NOT TO SCALE.



SECTION X-X



SECTION Y-Y

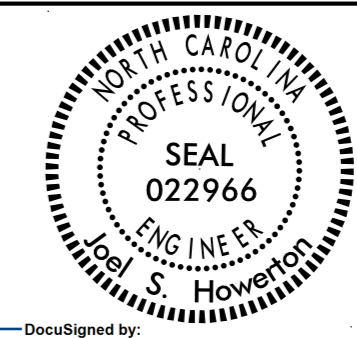


DOWEL

STATE OF NORTH CAROLINA DEPT. OF TRANSPORTATION DIVISION OF HIGHWAYS RALEIGH, N.C.

ENGLISH DETAIL DRAWING FOR SPECIAL CONCRETE DROP INLET 12" DUCTILE IRON PIPE

SHEET OF 840D14



DocuSigned by: S. Howerton 673F3D17DCDC45F 1/4/2019

CONTRACT STANDARDS AND DEVELOPMENT UNIT Office 919-707-6950 FAX 919-250-4119

SPECIAL CONCRETE DROP INLET

ORIGINAL BY: E.E. WARD DATE: 3-4-02 MODIFIED BY: rnbritt DATE: 09-27-2016 CHECKED BY: DATE: FILE SPEC: details/rnbritt/english/rural/r5014\_840d14min.dgn

DOCUMENT NOT CONSIDERED FINAL UNLESS ALL SIGNATURES COMPLETED

5/14/99  
C:\TIME\CON\CON\USER\NAME