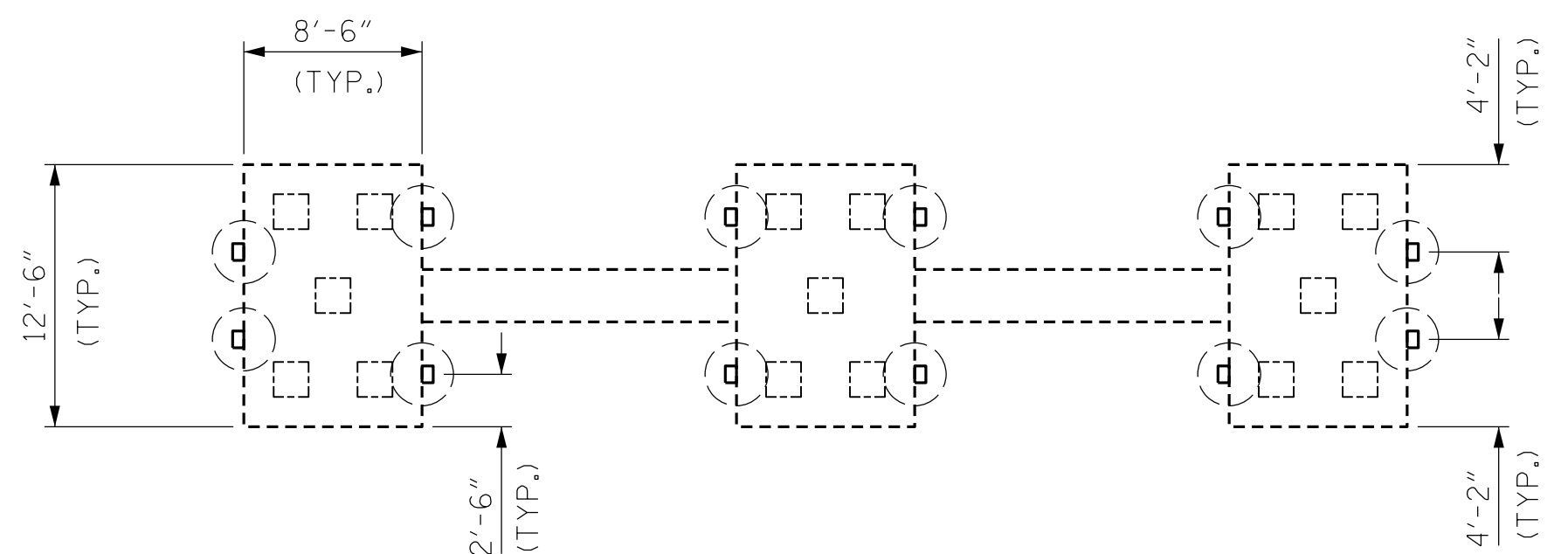
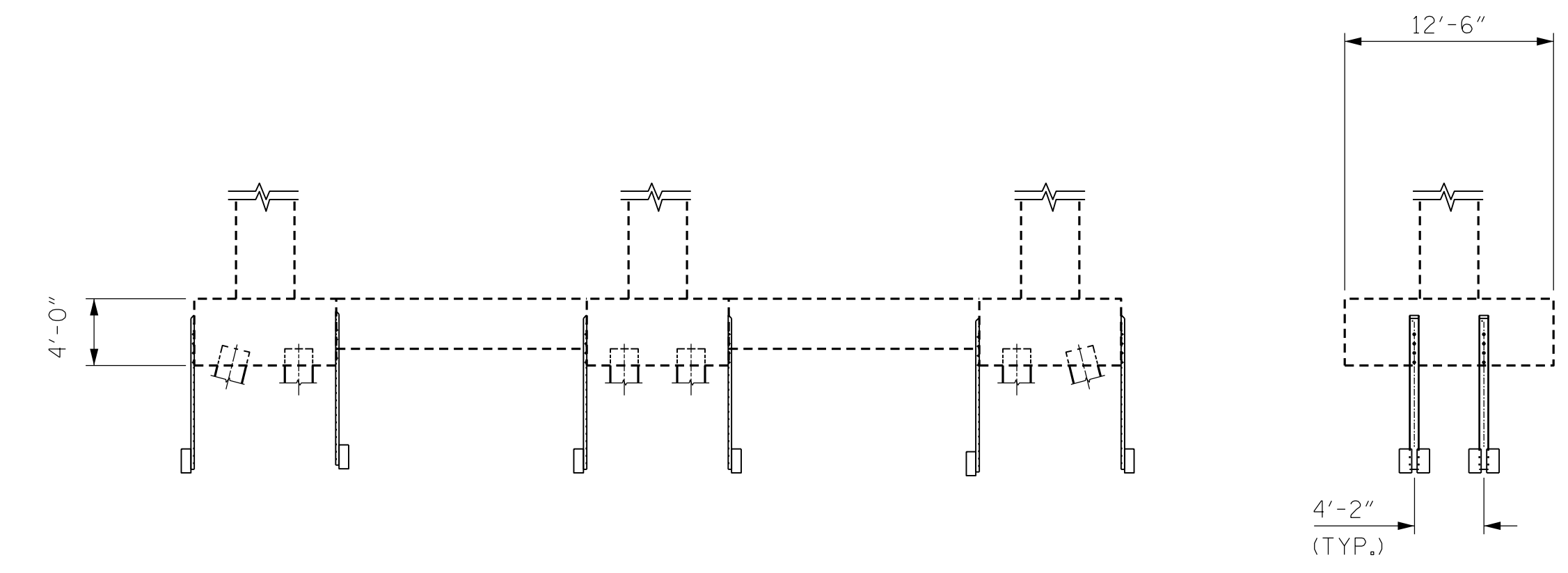


BENTS 28-34

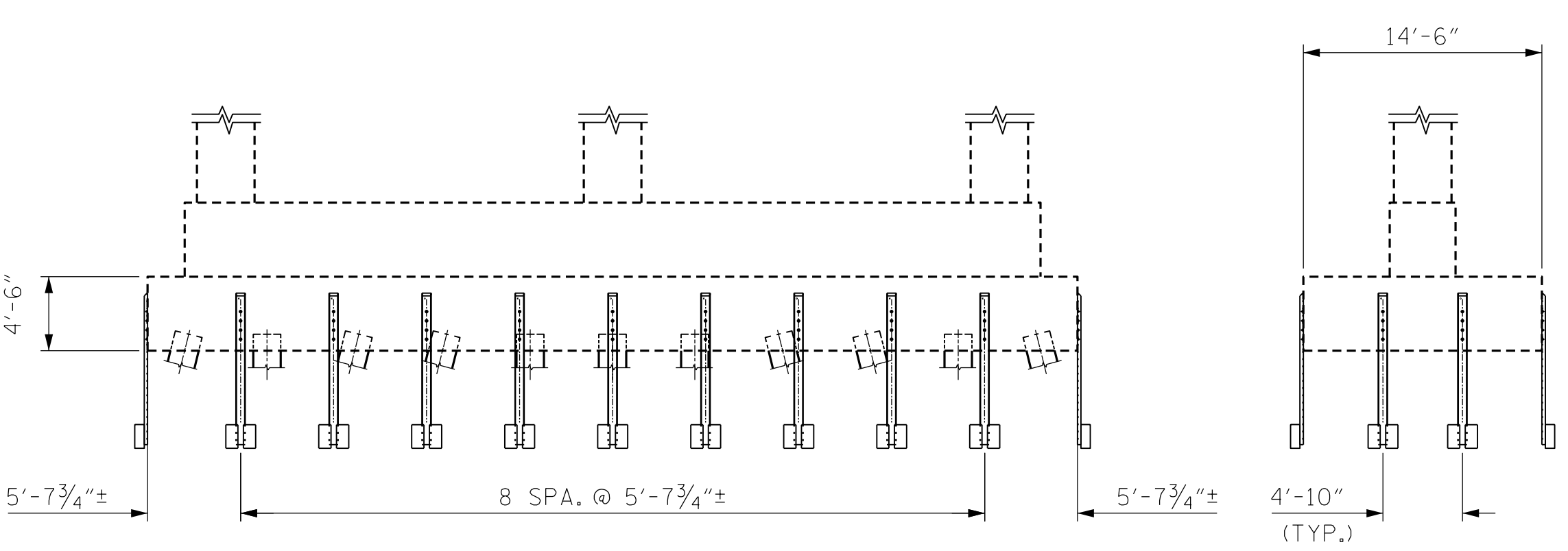
NUMBER OF ANODE ASSEMBLIES REQUIRED PER BENT: 12



BENTS 10-12 & 21-27

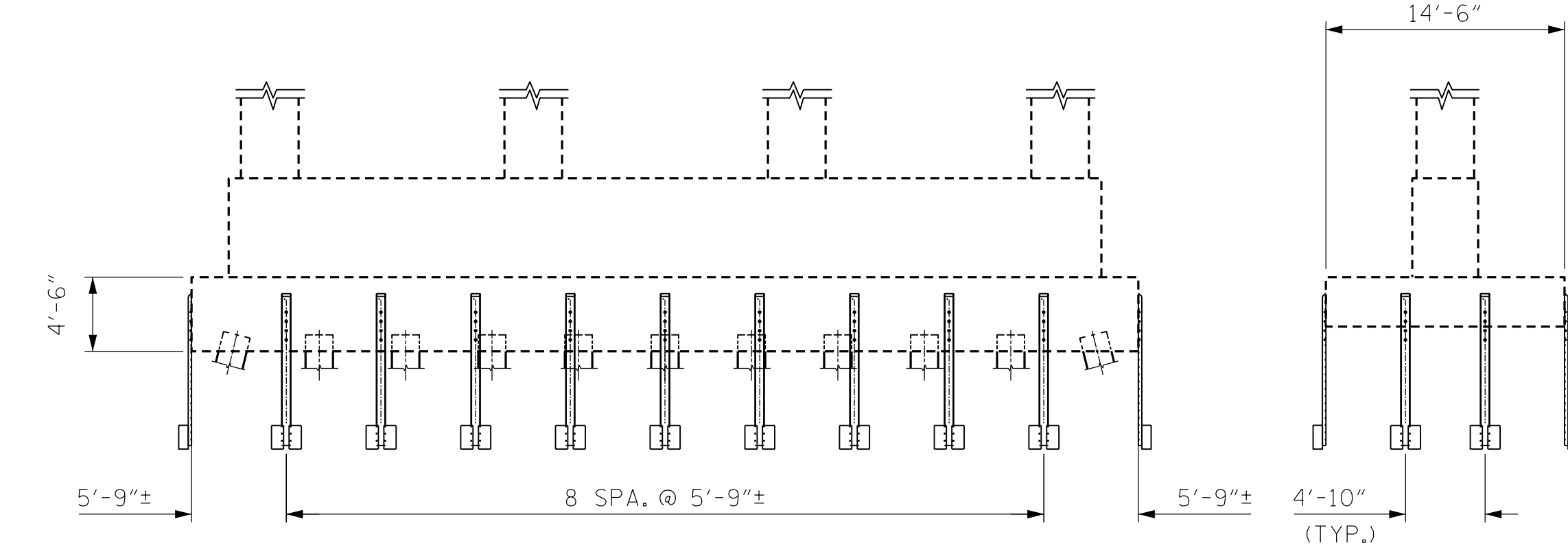
NUMBER OF ANODE ASSEMBLIES REQUIRED PER BENT: 12

AS-BUILT QUANTITY TABLE			
BULK ANODES			
BENTS	ANODES/BT		TOTAL
	NO.	#BTS	
BENTS 28-34	12	7	84 EA
BENTS 10-12 & 21-27	12	10	120 EA
BENTS 13-15 & 18-20	22	6	132 EA
BENTS 16 & 17	22	2	44 EA
TOTALS			382 EA



BENTS 13-15 & 18-20

NUMBER OF ANODE ASSEMBLIES REQUIRED PER BENT: 22

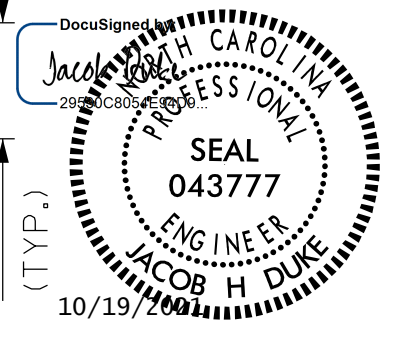


BENTS 16 & 17

NUMBER OF ANODE ASSEMBLIES REQUIRED PER BENT: 22

PROJECT NO. 15BPR.46
DARE COUNTY
 BRIDGE NO. 270012

SHEET 2 OF 2



STATE OF NORTH CAROLINA
 DEPARTMENT OF TRANSPORTATION
 RALEIGH
CATHODIC PROTECTION
 BULK ANODE
 FOR BENTS 10-35

DRAWN BY : JACOB H. DUKE DATE : 9/30/2020
 CHECKED BY : DIEGO A. AGUIRRE DATE : 10/1/2020
 DESIGN ENGINEER OF RECORD: JACOB H. DUKE DATE : 10/1/2020

○ PLAN VIEW ANODE ASSEMBLY LOCATION

DOCUMENT NOT CONSIDERED
 FINAL UNLESS ALL
 SIGNATURES COMPLETED

KCA
 KISINGER CAMPO
 & ASSOCIATES
 301 FAYETTEVILLE ST., SUITE 1500
 RALEIGH, NC 27601 (919) 882-7839
 NC FIRM LICENSE: C-1506

REVISIONS						SHEET NO.
NO.	BY:	DATE:	NO.	BY:	DATE:	
1			3			S-59
2			4			TOTAL SHEETS 137