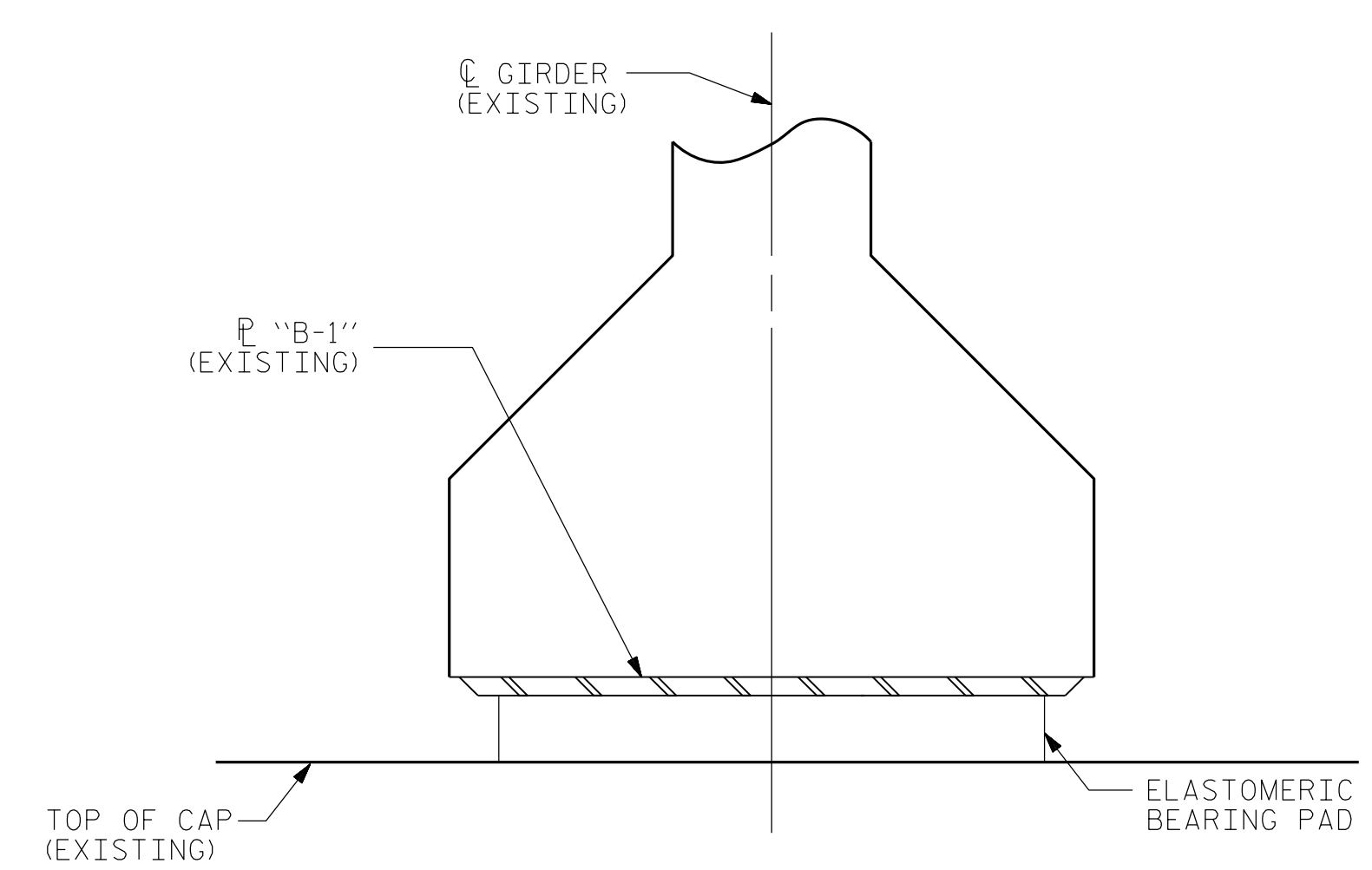
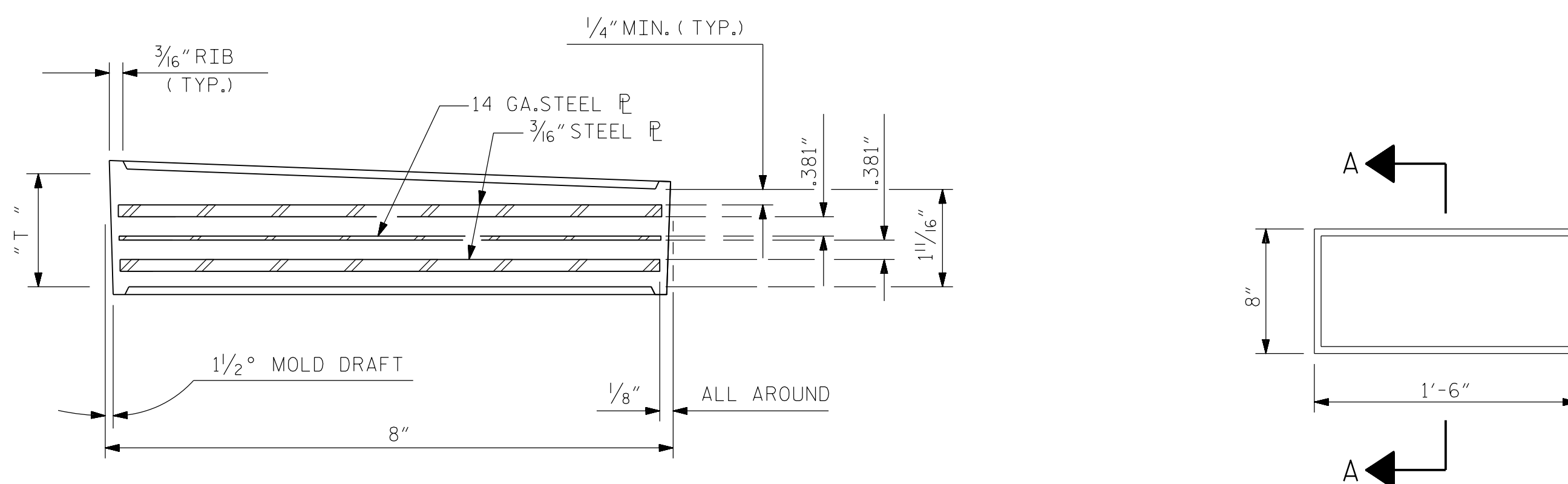


TYPICAL ELEVATION VIEW OF ELASTOMERIC BEARING
(45" PRESTRESSED CONCRETE GIRDER- SPANS 34-36, INT. GIRDERS G2 THRU G6 ONLY)

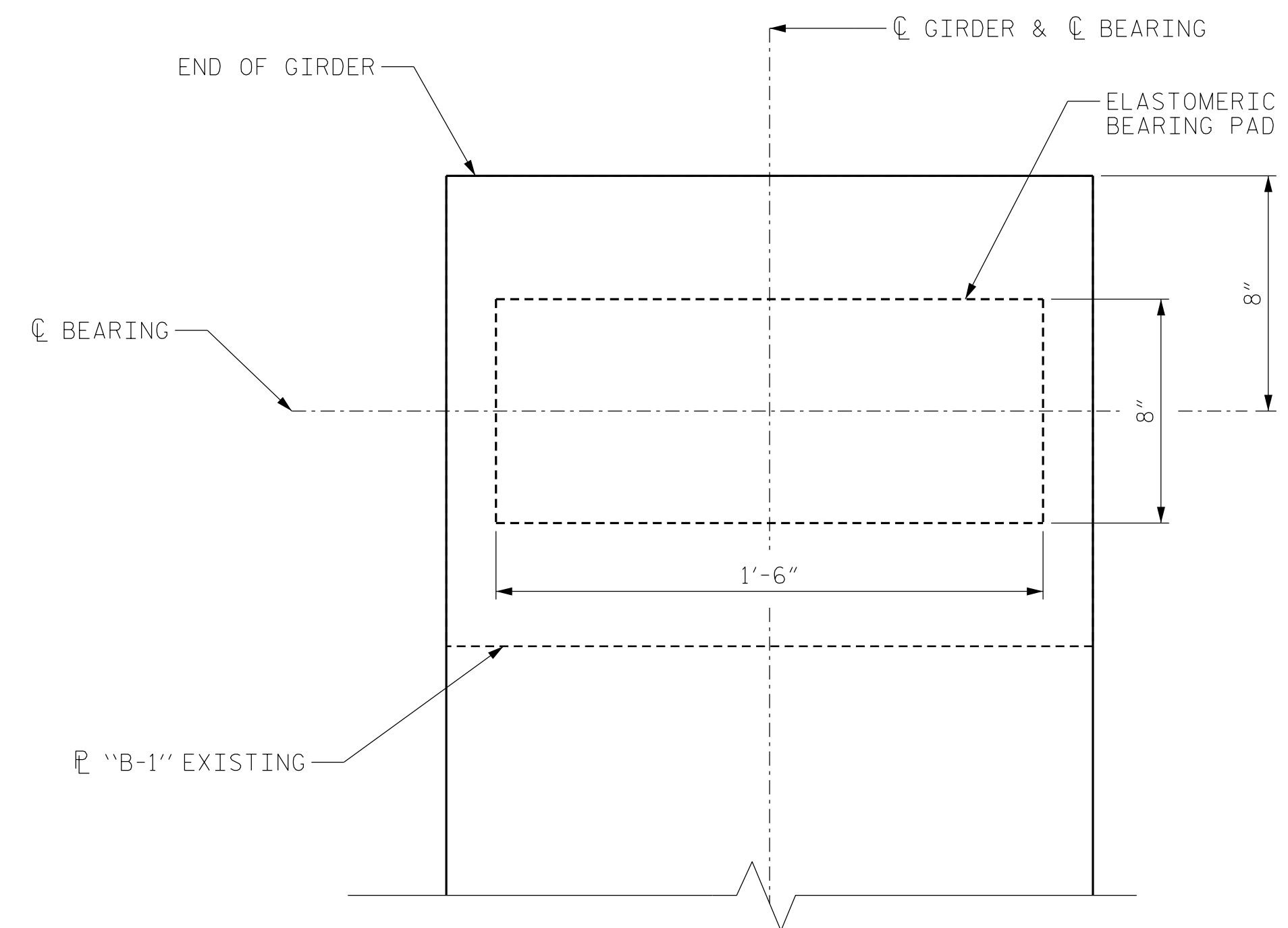


TYPICAL ELEVATION VIEW OF ELASTOMERIC BEARING
(ALL OTHER 45" PRESTRESSED CONCRETE GIRDERS)



SECTION "A-A"

PLAN VIEW OF ELASTOMERIC BEARING



TYPICAL PLAN VIEW OF ELASTOMERIC BEARING
(45" PRESTRESSED CONCRETE GIRDERS)

BEARING TYPE	THICKNESS "T"	GIRDER GRADE (%)	NUMBER REQUIRED	LOCATION (SPANS)	BEARING TYPES
P1	1 1/16"	0.00 - 1.00	96	34, 35	P-4
P2	1 3/16"	1.00 - 2.25	4	36-38	P-3
P3	1 5/16"	2.25 - 3.50	1	39-41 & 71-73	P-2
P4	2 1/16"	3.50 - 5.50	9	42-70	P-1

ELASTOMERIC BEARING DETAIL
(45" PRESTRESSED CONCRETE GIRDERS)

PROJECT NO. 15BPR.46
DARE COUNTY
BRIDGE NO. 270012

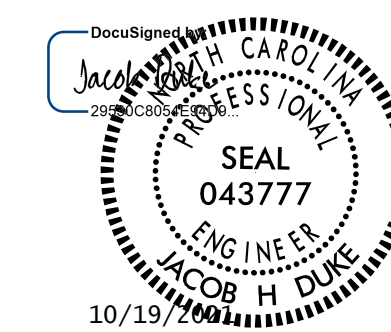
SHEET 1 OF 3

NOTES:

- ELASTOMER IN THE STEEL REINFORCED BEARING SHALL HAVE A SHEAR MODULUS OF 0.160 KSI, IN ACCORANCE WITH AASHTO M251.
- FOR STEEL REINFORCED ELASTOMERIC BEARINGS, SEE STANDARD SPECIFICATIONS AND PROJECT SPECIAL PROVISIONS.
- FOR BRIDGE JACKING, SEE JACKING DETAIL SHEETS.
- TABLES SHOW EXISTING ELASTOMERIC BEARING SIZES & LOCATIONS, SEE SUPERSTRUCTURE REPAIR SHEETS FOR REPLACEMENT LOCATIONS.

DRAWN BY : FIDEL L. FLORES DATE : 9/30/2020
CHECKED BY : SAMUEL L. CULLUM DATE : 10/1/2020
DESIGN ENGINEER OF RECORD: JACOB H. DUKE DATE : 10/1/2020

10/19/2021
15BPR.46.SMU.BC01.270012.dgn
jduke



KISINGER CAMPO & ASSOCIATES
301 FAYETTEVILLE ST., SUITE 1500
RALEIGH, NC 27601 (919) 882-7839
NC FIRM LICENSE: C-1506

STATE OF NORTH CAROLINA
DEPARTMENT OF TRANSPORTATION
RALEIGH

BEARING REPLACEMENT
45" PRESTRESSED CONCRETE
GIRDER DETAILS

DOCUMENT NOT CONSIDERED
FINAL UNLESS ALL
SIGNATURES COMPLETED

REVISIONS						SHEET NO.
NO.	BY:	DATE:	NO.	BY:	DATE:	S-46
1			3			TOTAL SHEETS
2			4			137