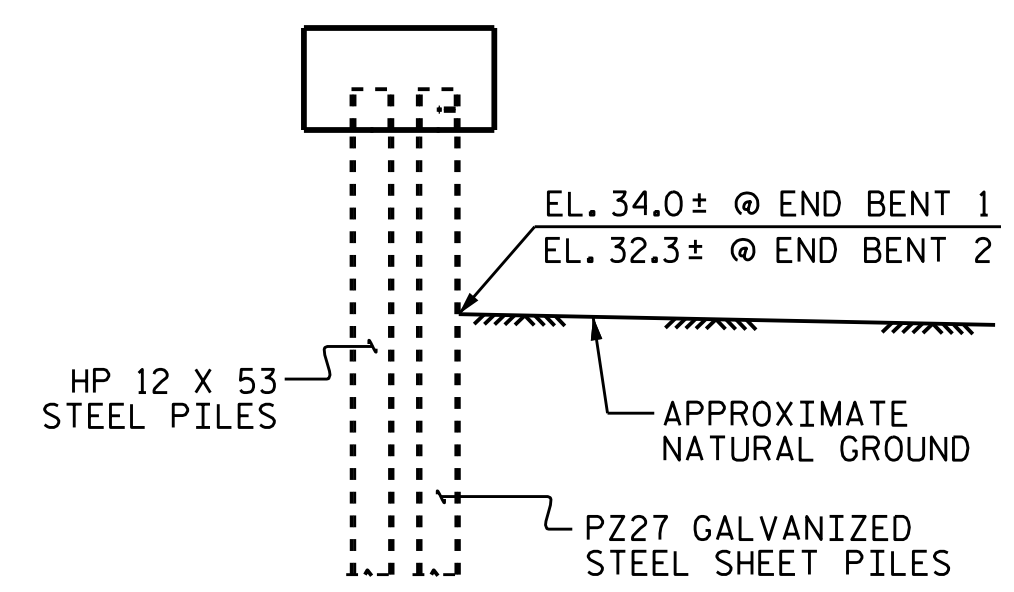
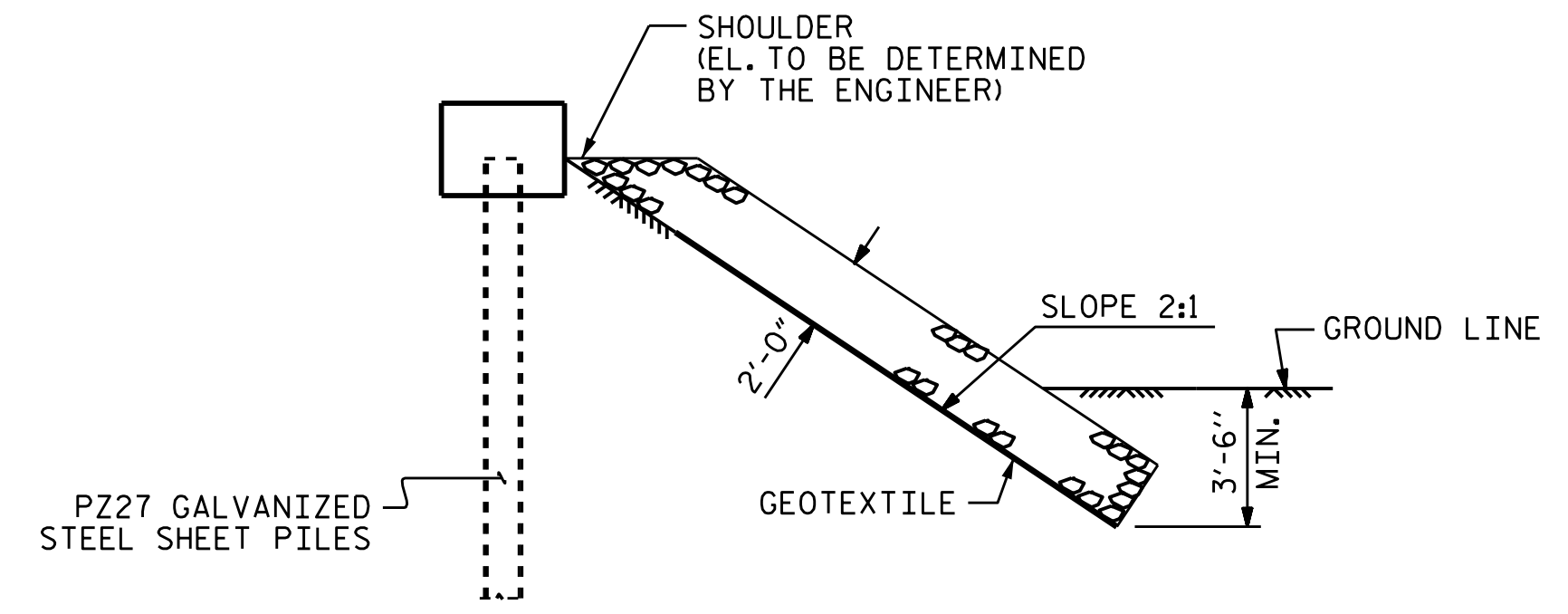


ESTIMATED QUANTITIES		
BRIDGE @ STA. 18+30.00 -L-	RIP RAP CLASS II (2'-0" THICK)	GEOTEXTILE FOR DRAINAGE
	TONS	SQUARE YARDS
END BENT 1	65	75
END BENT 2	55	60

**PLAN**

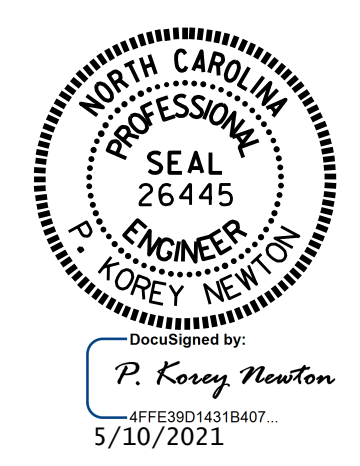


**SECTION A-A**



**SECTION B-B**

PROJECT NO. B-5642  
BRUNSWICK COUNTY  
 STATION: 18+30.00 -L-



STATE OF NORTH CAROLINA  
 DEPARTMENT OF TRANSPORTATION  
 RALEIGH

**RIP RAP DETAILS**

DESIGN ENGINEER OF RECORD: W. SMITH DATE : 4/22/21	
ASSEMBLED BY : M.K. BEARD DATE : 10/19	CHECKED BY : D. SHACKELFORD DATE : 04/2020
DRAWN BY : REK 1/84	REV. 10/1/11 MAA/GM
CHECKED BY : RDU 1/84	REV. 12/21/11 MAA/GM
	REV. 12/17 MAA/THC

DOCUMENT NOT CONSIDERED  
 FINAL UNLESS ALL  
 SIGNATURES COMPLETED

REVISIONS						SHEET NO.
NO.	BY:	DATE:	NO.	BY:	DATE:	S-13
1			3			TOTAL SHEETS
2			4			14