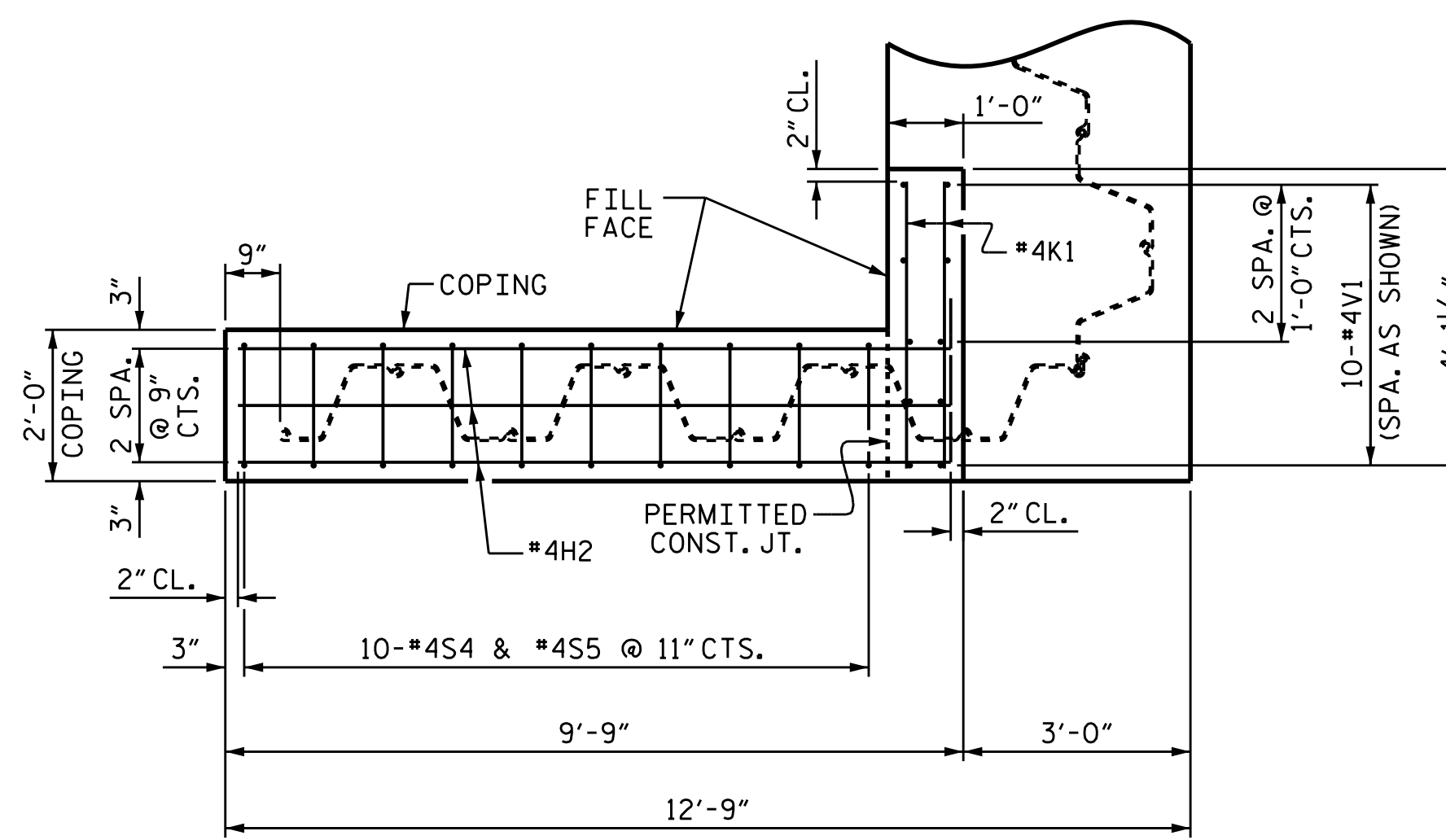
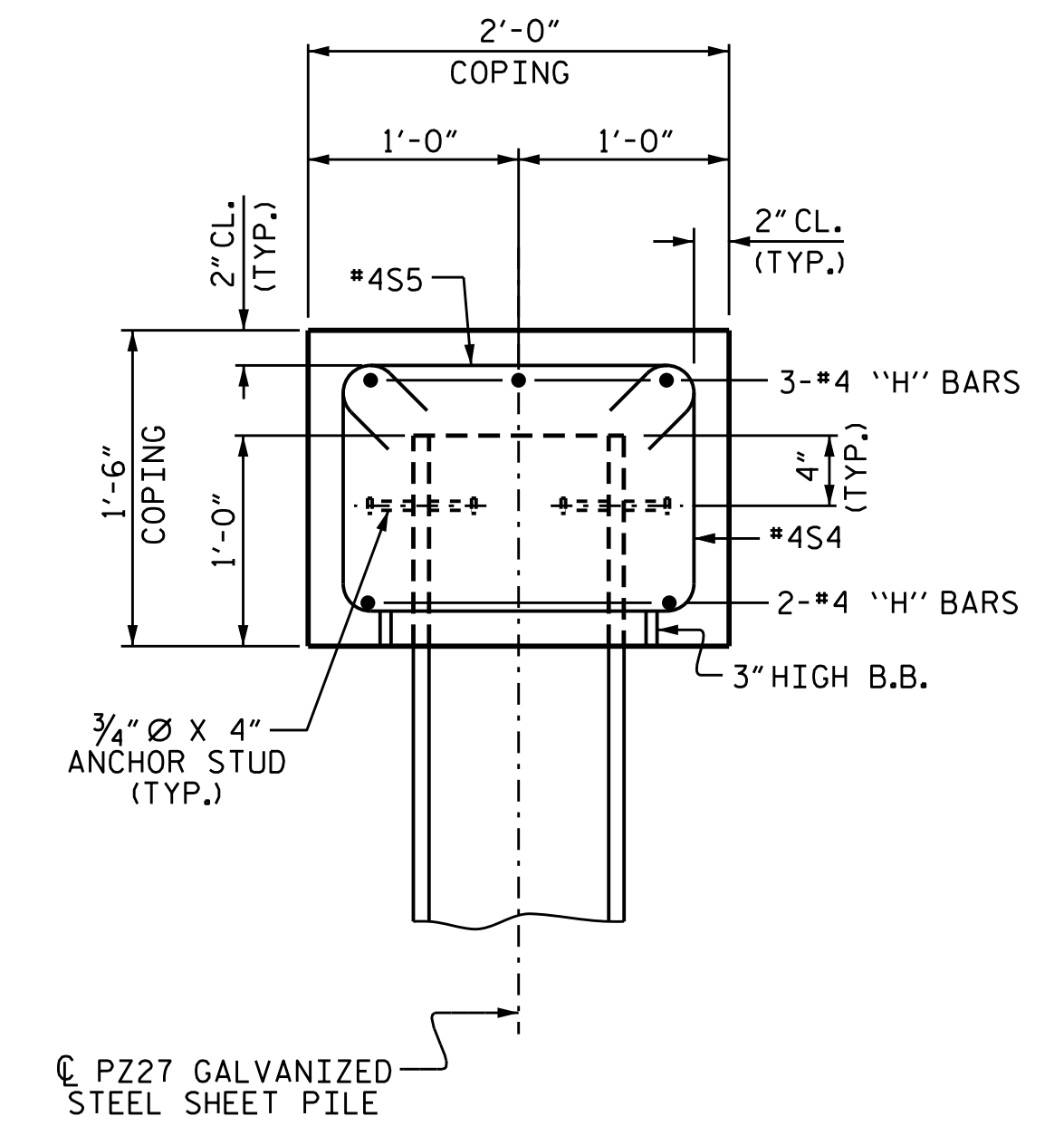


PLAN - WING (W1)

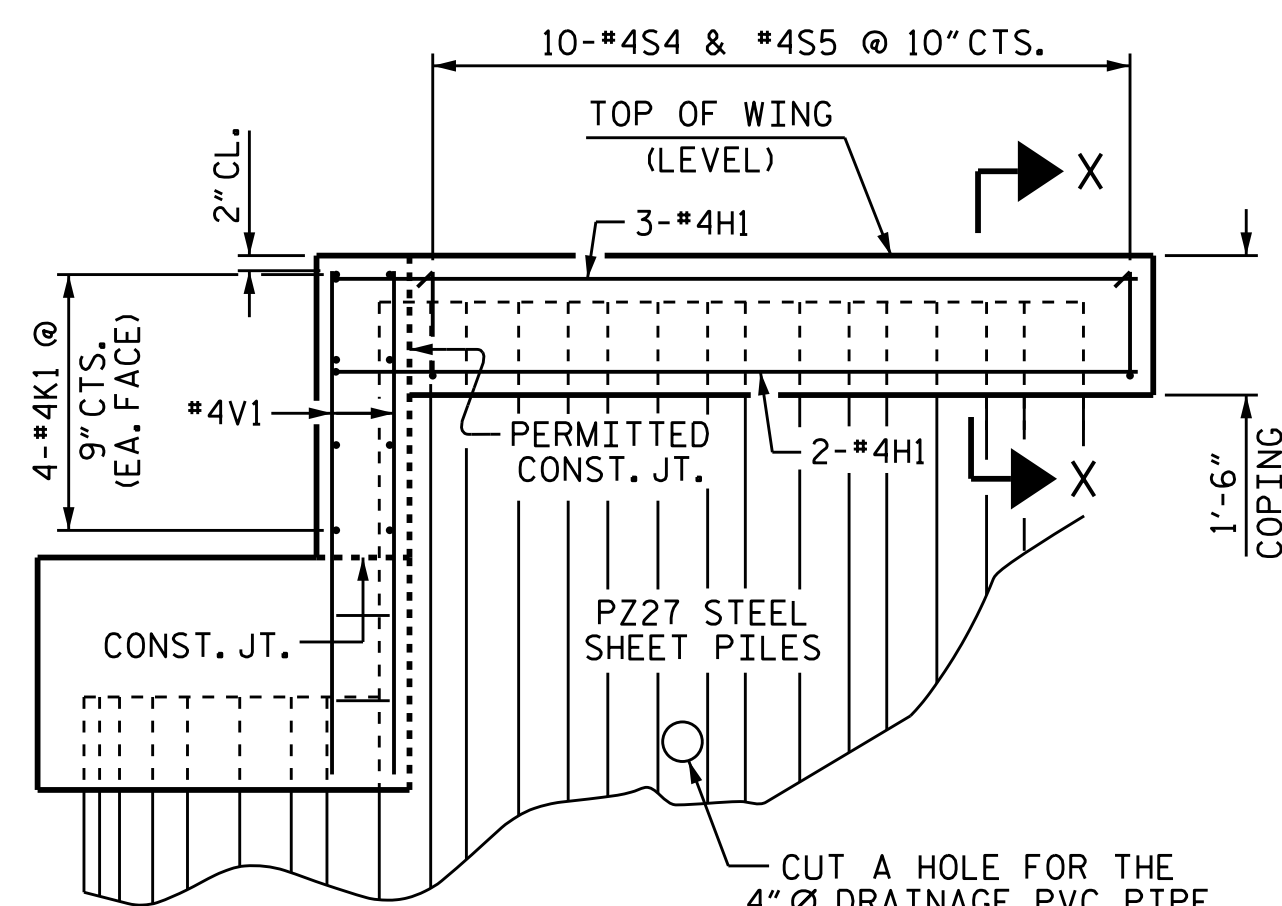


PLAN - WING (W2)

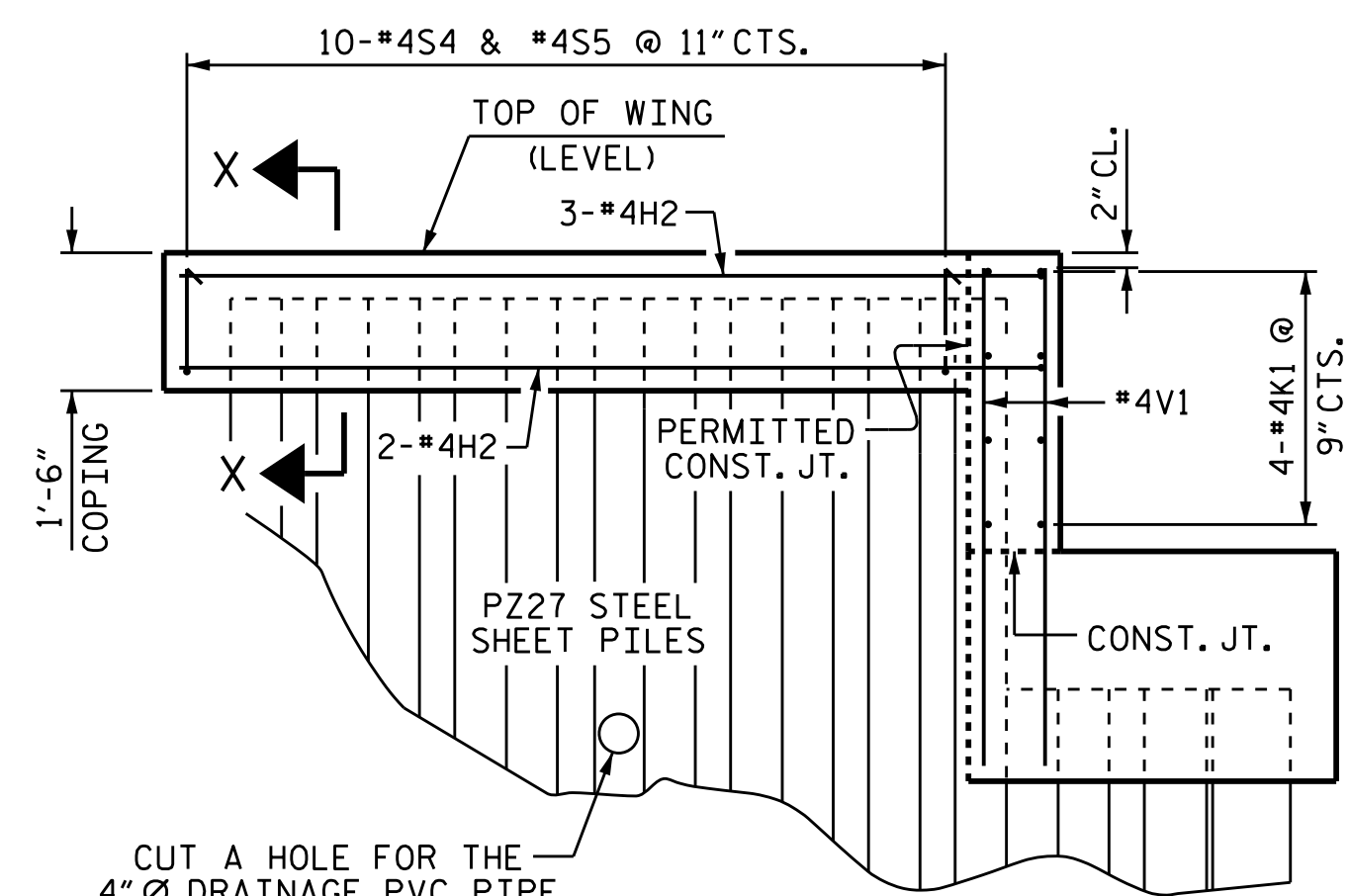


SECTION X-X

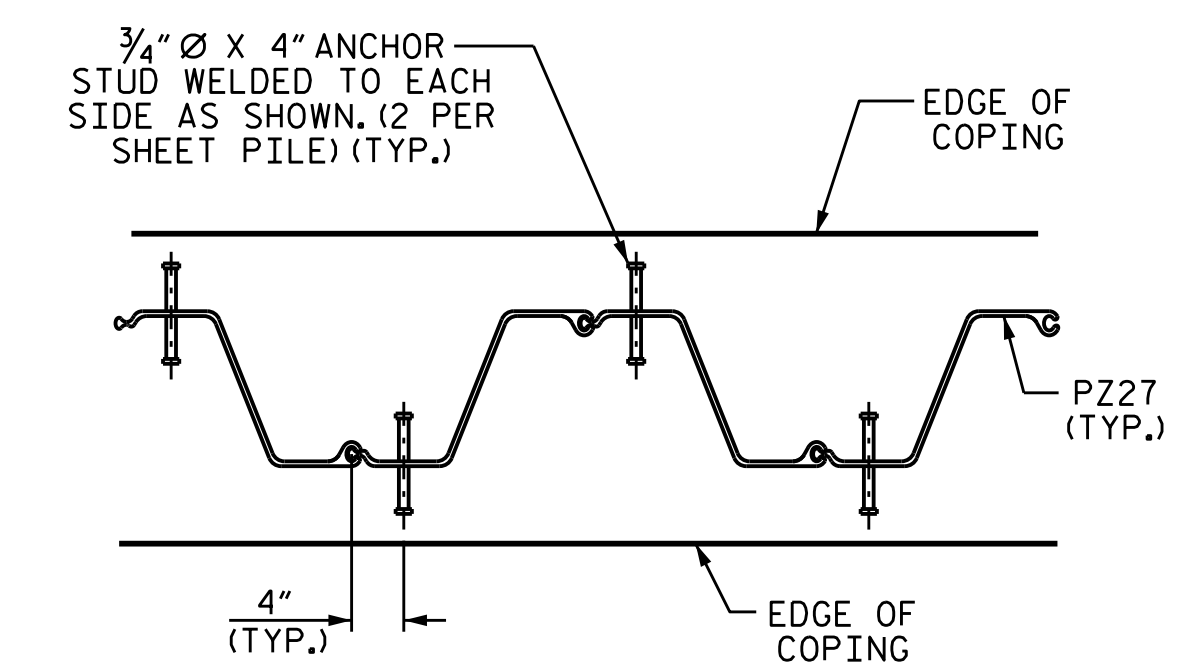
SHOWING ANCHOR STUDS
BURN 1/2" Ø MAX. HOLE IN
SHEET PILE FOR #4S4 BARS.



ELEVATION - WING (W1)



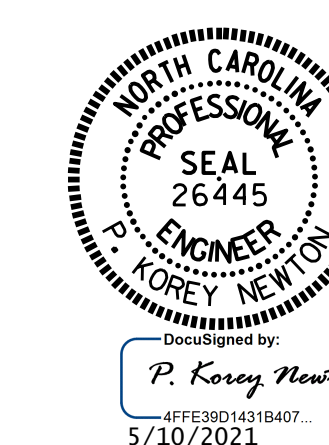
ELEVATION - WING (W2)



ANCHORAGE LAYOUT

PROJECT NO. B-5642
BRUNSWICK COUNTY
 STATION: 18+30.00 -L-

SHEET 3 OF 4



STATE OF NORTH CAROLINA
 DEPARTMENT OF TRANSPORTATION
 RALEIGH
 SUBSTRUCTURE
 END BENT
 STEEL SHEET PILE
 WING DETAILS

DRAWN BY: M.K. BEARD DATE: 02/2020
 CHECKED BY: D. SHACKELFORD DATE: 04/2020
 DESIGN ENGINEER OF RECORD: W. SMITH DATE: 4/22/21

DOCUMENT NOT CONSIDERED
 FINAL UNLESS ALL
 SIGNATURES COMPLETED

REVISIONS					SHEET NO.
NO.	BY:	DATE:	NO.	DATE:	TOTAL SHEETS
1			3		S-11
2			4		14