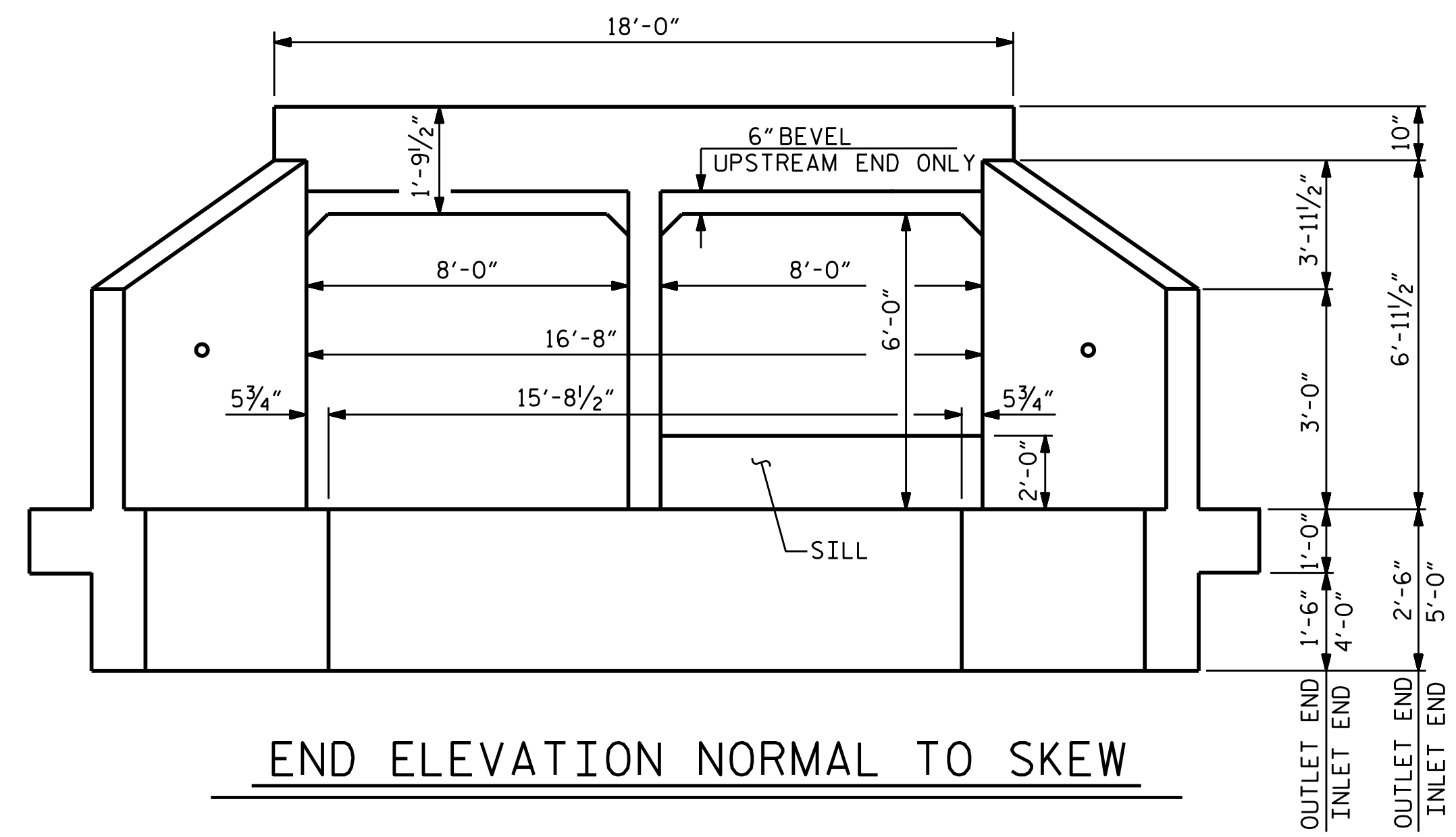
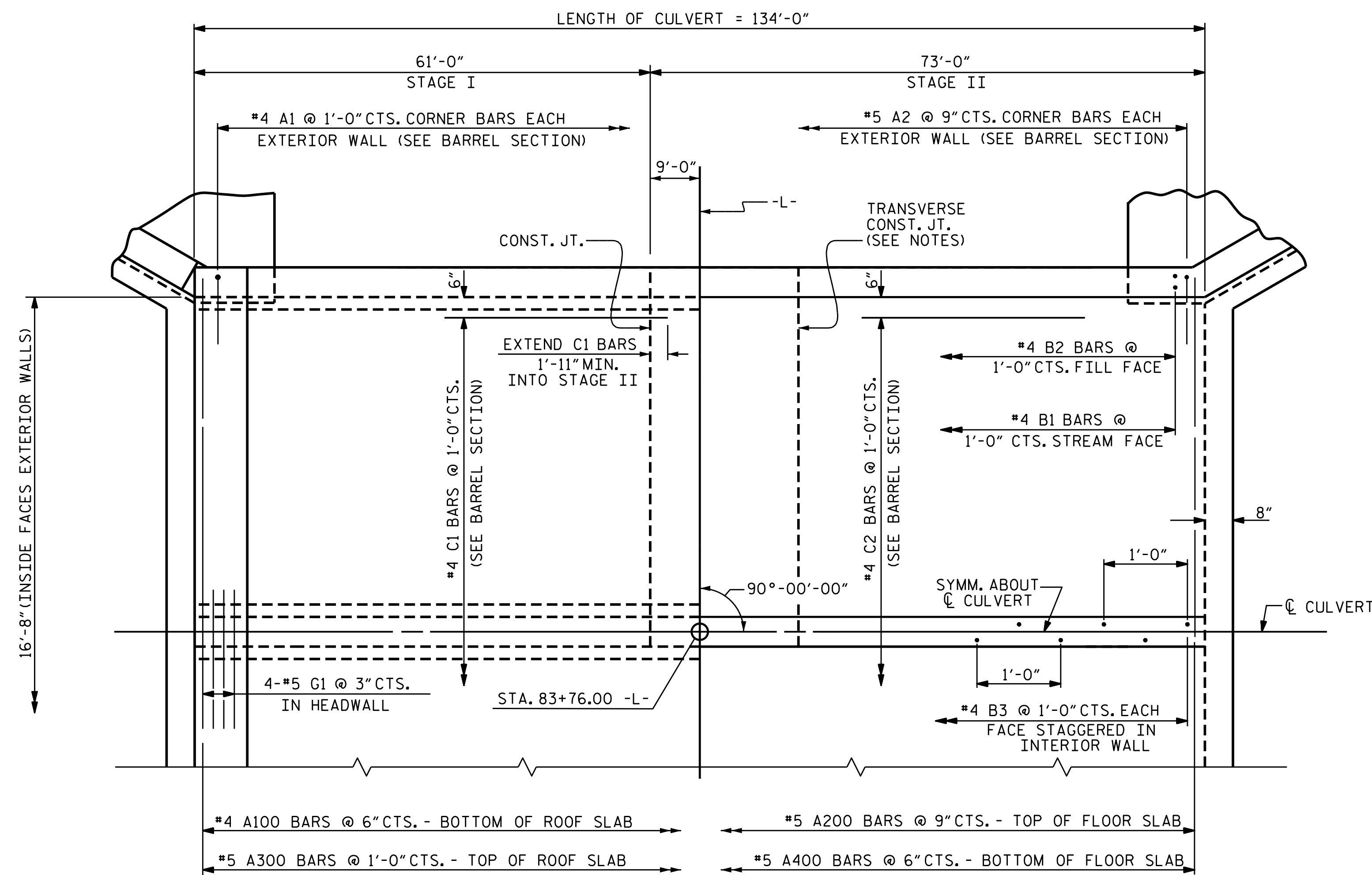


EXTERIOR WALL INTERIOR WALL
CULVERT SECTION NORMAL TO ROADWAY

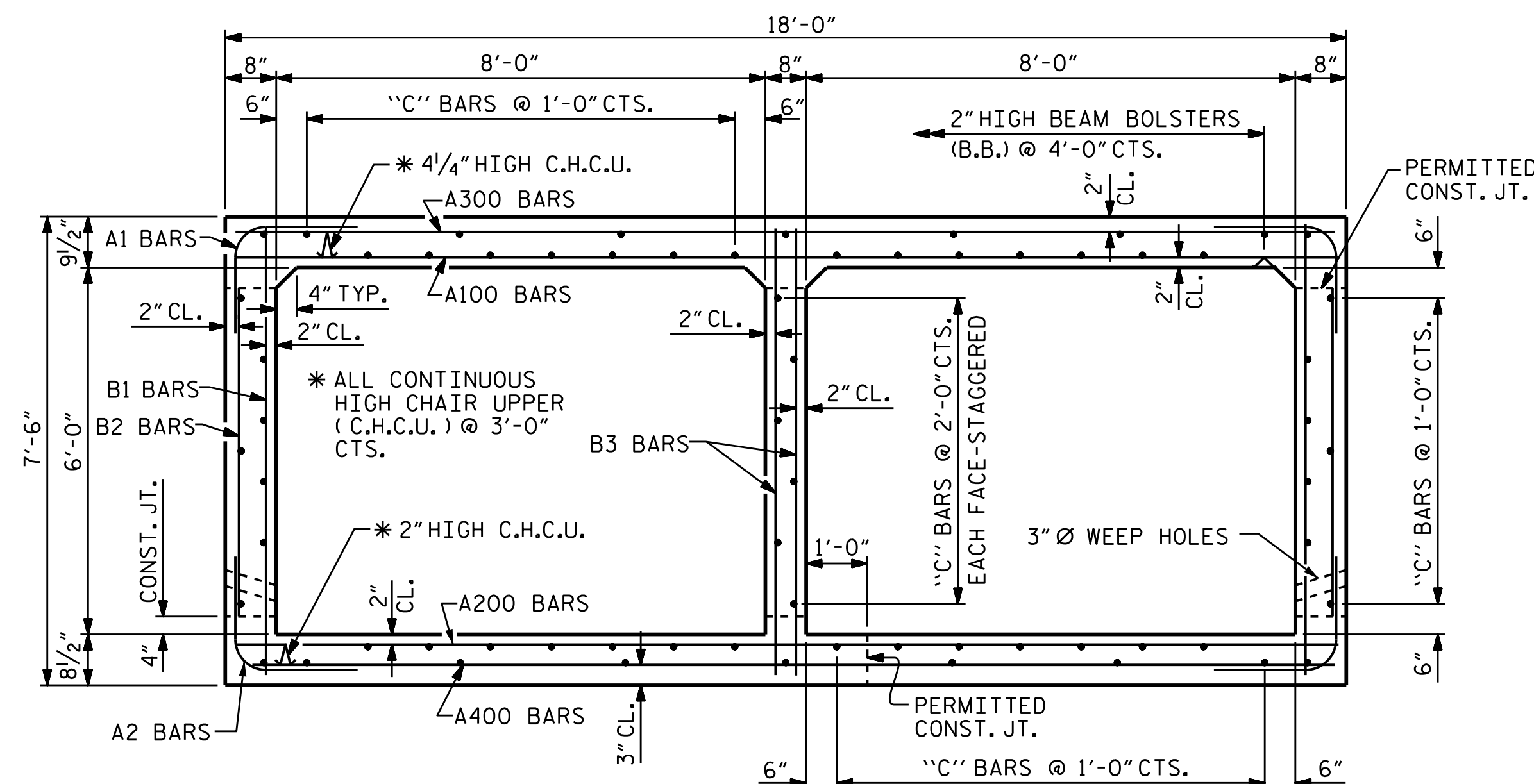


END ELEVATION NORMAL TO SKEW



PART PLAN - ROOF SLAB

PART PLAN - FLOOR SLAB



RIGHT ANGLE SECTION OF BARREL

THERE ARE 66 'C' BARS IN SECTION OF BARREL.

PROJECT NO. R-5021
BRUNSWICK COUNTY
STATION: 83+76.00 -L-

SHEET 2 OF 5



STATE OF NORTH CAROLINA
DEPARTMENT OF TRANSPORTATION
RALEIGH

DOUBLE 8 FT. X 6 FT.
CONCRETE BOX CULVERT
90° SKEW

ASSEMBLED BY: WFP / OTN DATE: 11-17
CHECKED BY: P. K. NEWTON DATE: 12/2/18
DRAWN BY: RALPH D. UNDERWOOD DATE: MAY 1971
CHECKED BY: JOEL A. JOHNSON DATE: JULY 1971

SPECIAL
STANDARD

DOCUMENT NOT CONSIDERED
FINAL UNLESS ALL
SIGNATURES COMPLETED

REVISIONS						SHEET NO.
NO.	BY:	DATE:	NO.	BY:	DATE:	C2-2
1			3			TOTAL SHEETS
2			4			5