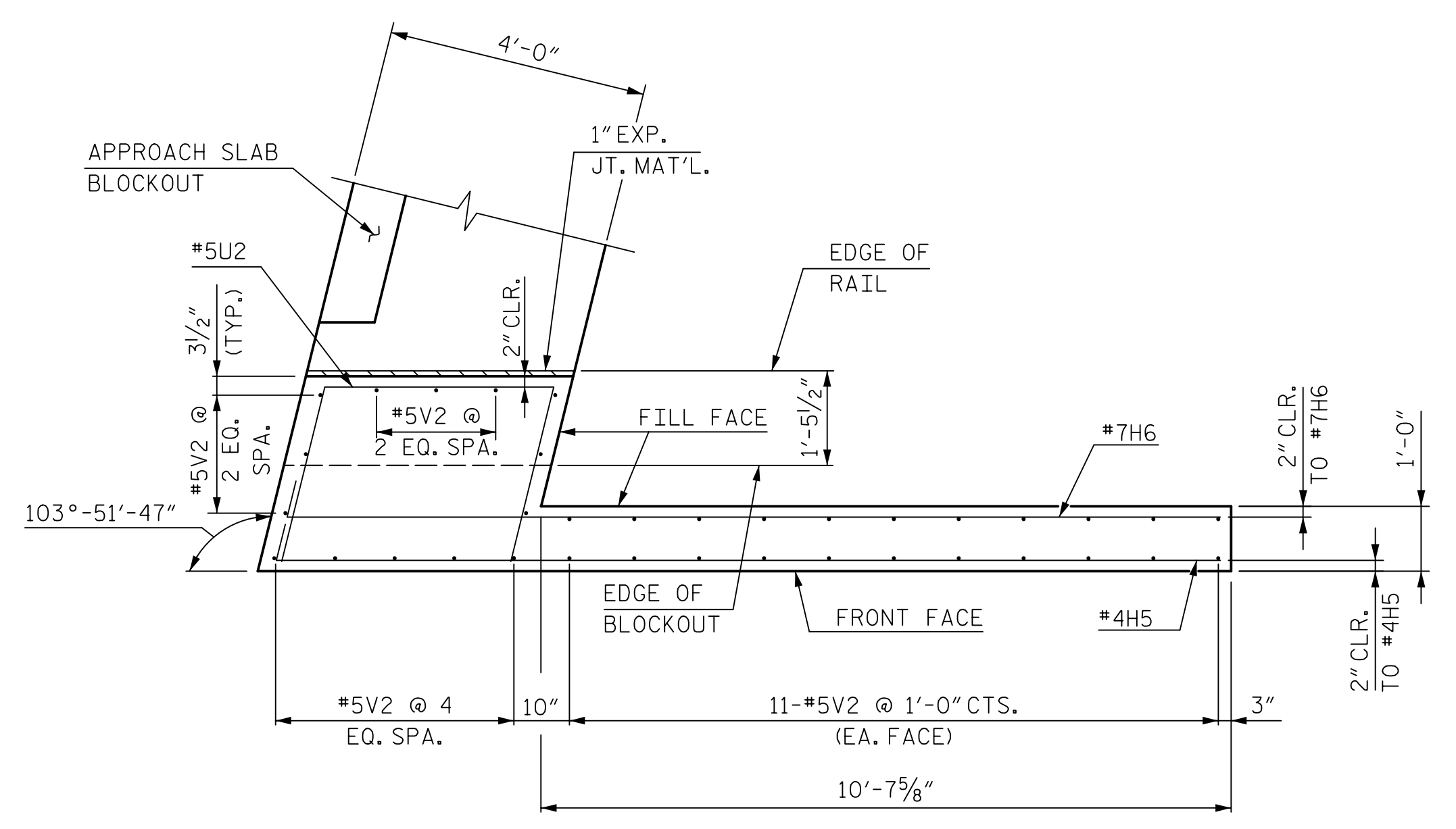
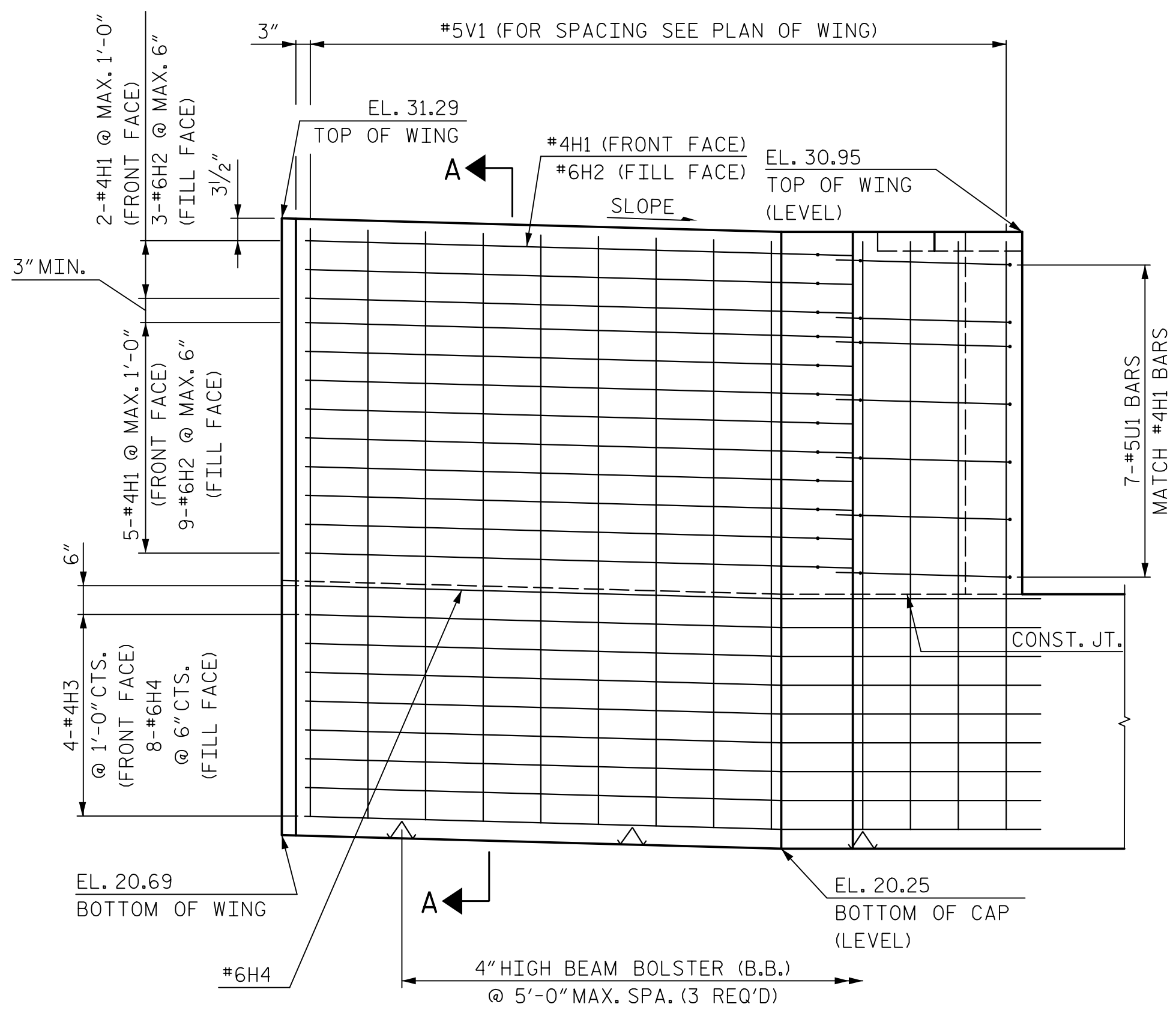


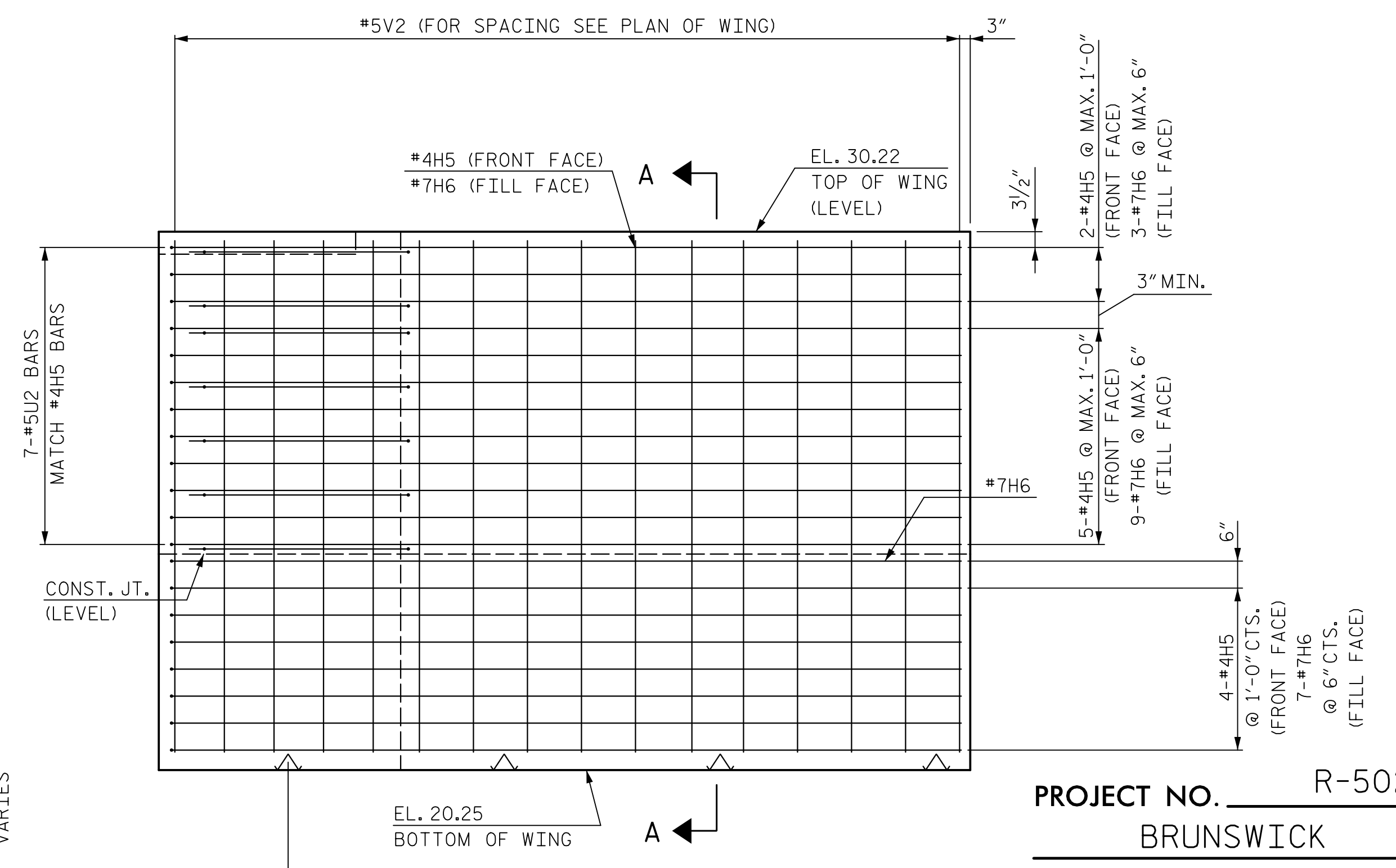
PLAN OF LEFT WING (W1)



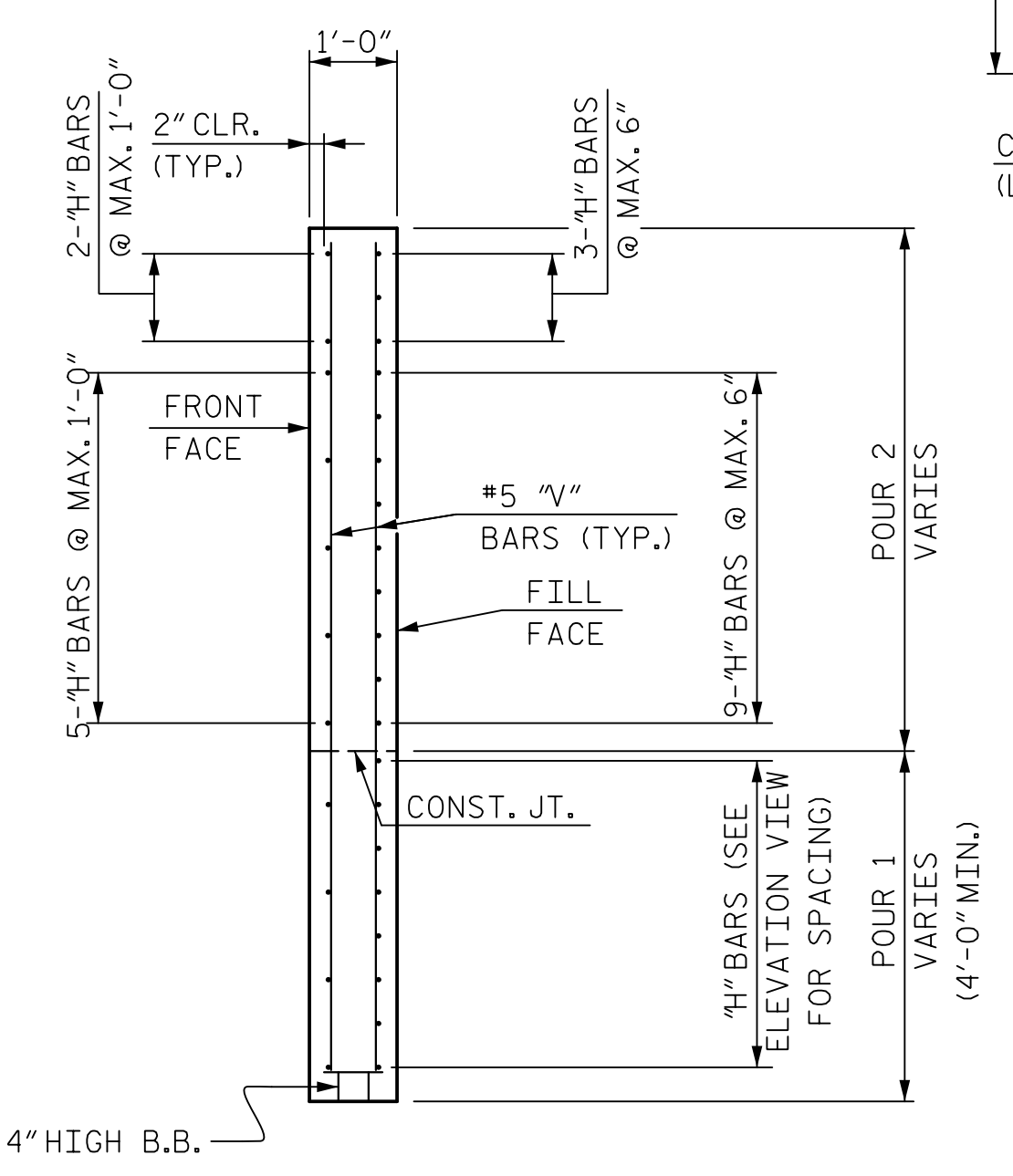
PLAN OF RIGHT WING (W2)



ELEVATION OF LEFT WING (W1)



ELEVATION OF RIGHT WING (W2)

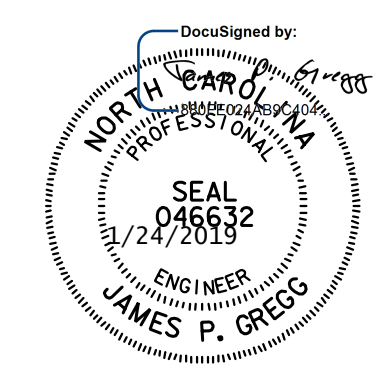


SECTION A-A

PROJECT NO. R-5021
 BRUNSWICK COUNTY
 STATION: POC 390+15.00 -L-

SHEET 2 OF 3

STATE OF NORTH CAROLINA
 DEPARTMENT OF TRANSPORTATION
 RALEIGH
 SUBSTRUCTURE
 END BENT 2
 RIGHT LANE



HNTB		HNTB NORTH CAROLINA, P.C. NC License No. C-1554 343 E. Six Forks Rd., Suite 200, Raleigh, N.C. 27609																	
DRAWN BY: A. SMITH	DATE: 8/17	DWG. NO. 32	<table border="1"> <tr> <th colspan="4">REVISIONS</th> </tr> <tr> <th>NO.</th> <th>BY</th> <th>DATE</th> <th>NO.</th> </tr> <tr> <td>1</td> <td>B. EMAMI</td> <td>9/17</td> <td>3</td> </tr> <tr> <td>2</td> <td>J. GREGG</td> <td>8/18</td> <td>4</td> </tr> </table>	REVISIONS				NO.	BY	DATE	NO.	1	B. EMAMI	9/17	3	2	J. GREGG	8/18	4
REVISIONS																			
NO.	BY			DATE	NO.														
1	B. EMAMI	9/17	3																
2	J. GREGG	8/18	4																
CHECKED BY: B. EMAMI	DATE: 9/17																		
DESIGN ENGINEER OF RECORD: J. GREGG	DATE: 8/18																		

SHEET NO. S6-32	
TOTAL SHEETS 39	