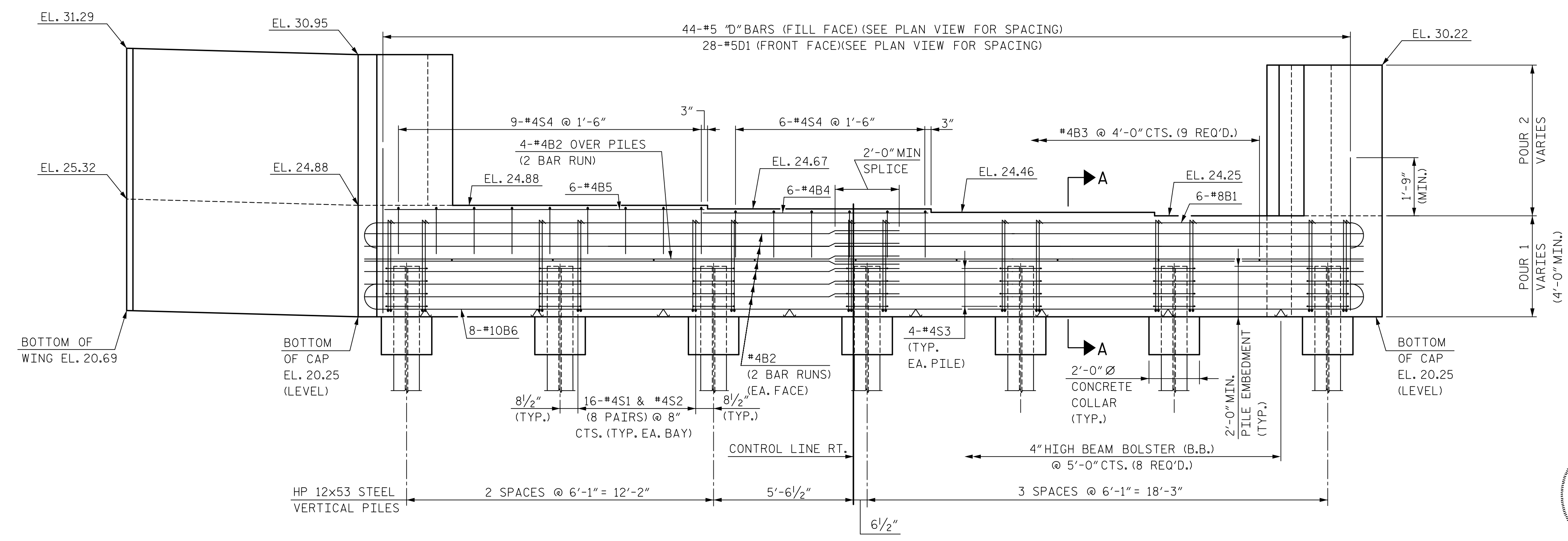
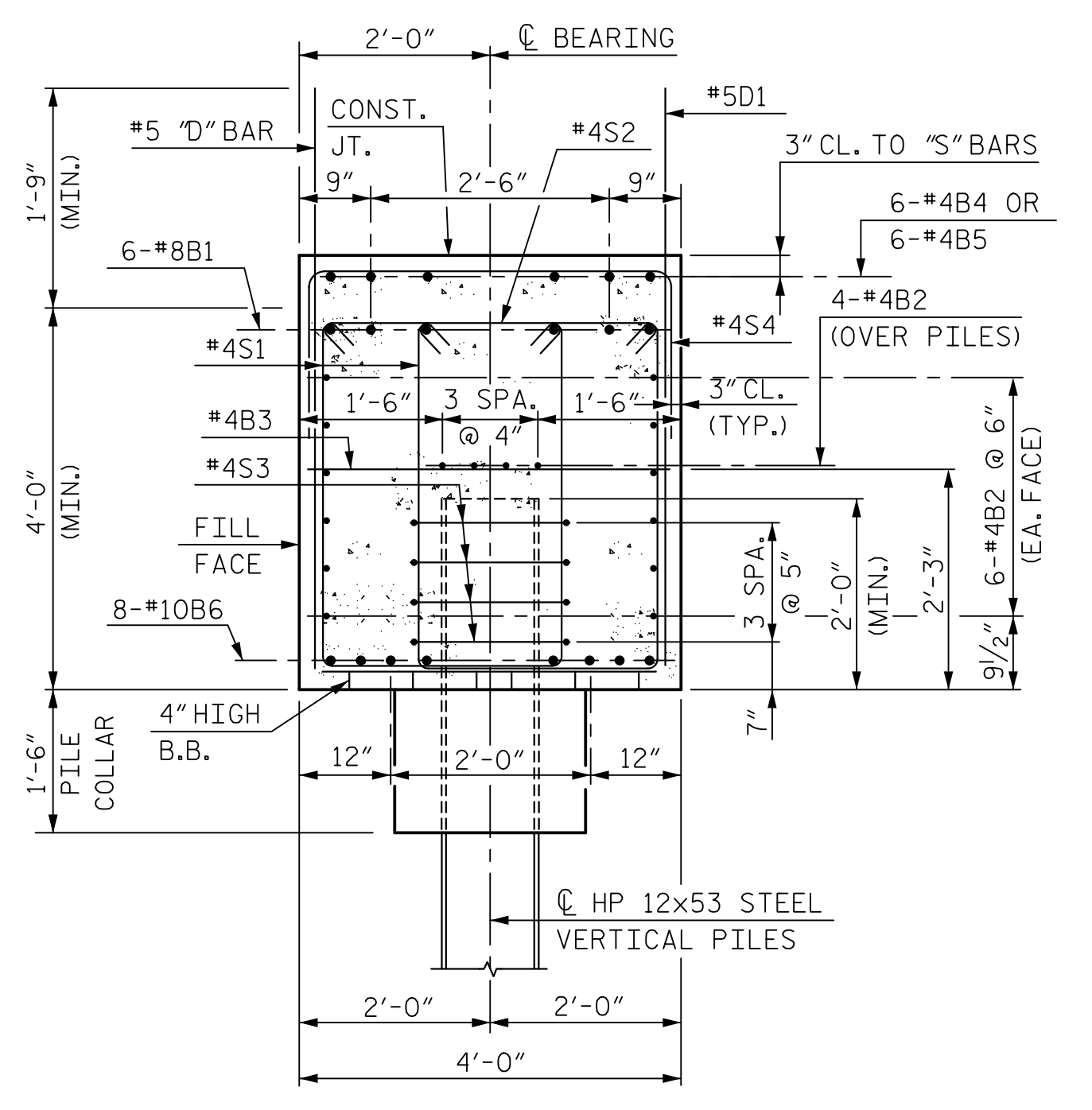


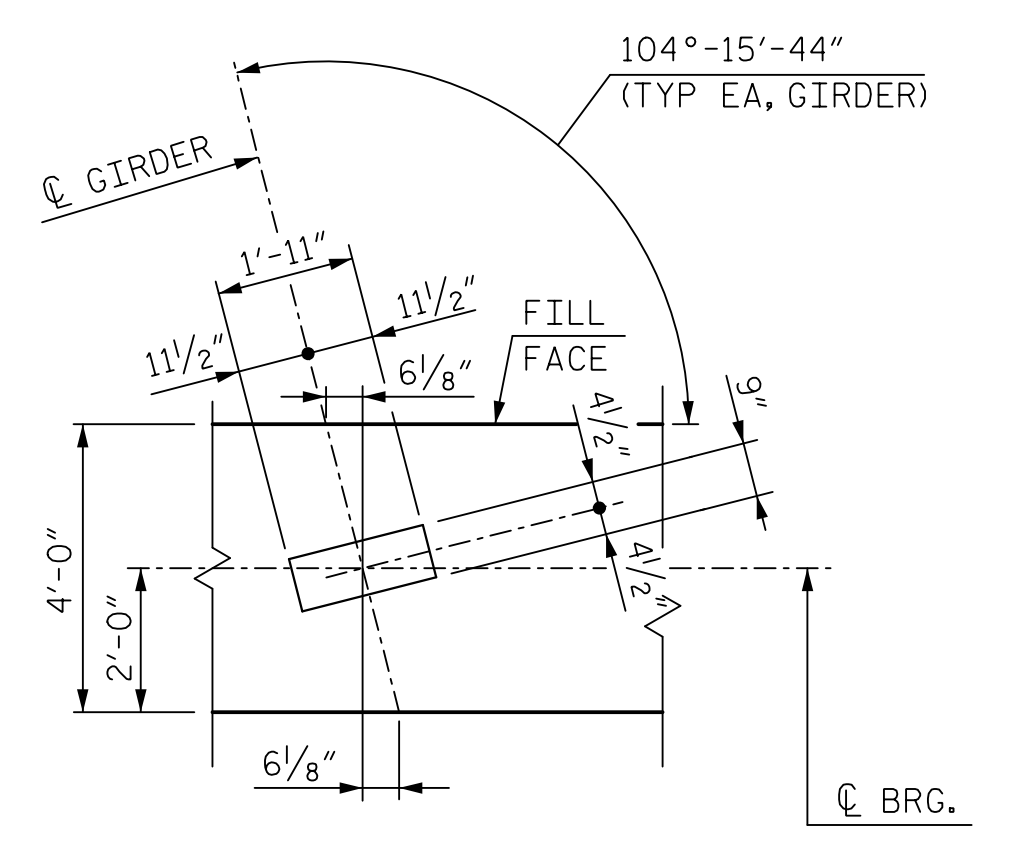
PLAN



ELEVATION



SECTION A-A

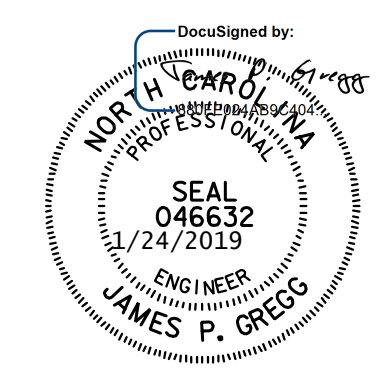


DETAIL A

NOTES:
FOR NOTES, SEE SHEET 3 OF 3.
FOR WINGWALL DETAILS, SEE SHEET 2 OF 3.

PROJECT NO. R-5021
BRUNSWICK COUNTY
STATION: POC 390+15.00 -L-

SHEET 1 OF 3
STATE OF NORTH CAROLINA
DEPARTMENT OF TRANSPORTATION
RALEIGH
SUBSTRUCTURE
END BENT 2
RIGHT LANE



HNTB		HNTB NORTH CAROLINA, P.C. NC License No. C-1554 343 E. Six Forks Rd., Suite 200, Raleigh, N.C. 27609	
DRAWN BY: A. SMITH	DATE: 6/17	CHECKED BY: B. EMAMI	DATE: 9/17
DESIGN ENGINEER OF RECORD: J. GREGG	DATE: 8/18	DWG. NO. 31	

REVISIONS						SHEET NO.	
NO.	BY	DATE	NO.	BY	DATE	S6-31	
1			3			TOTAL SHEETS	
2			4			39	