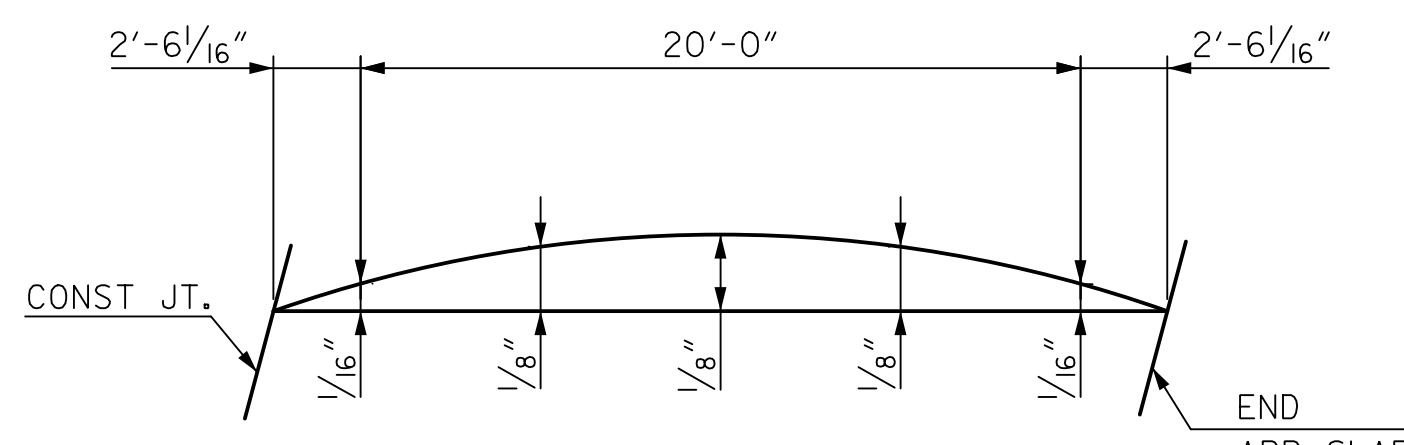
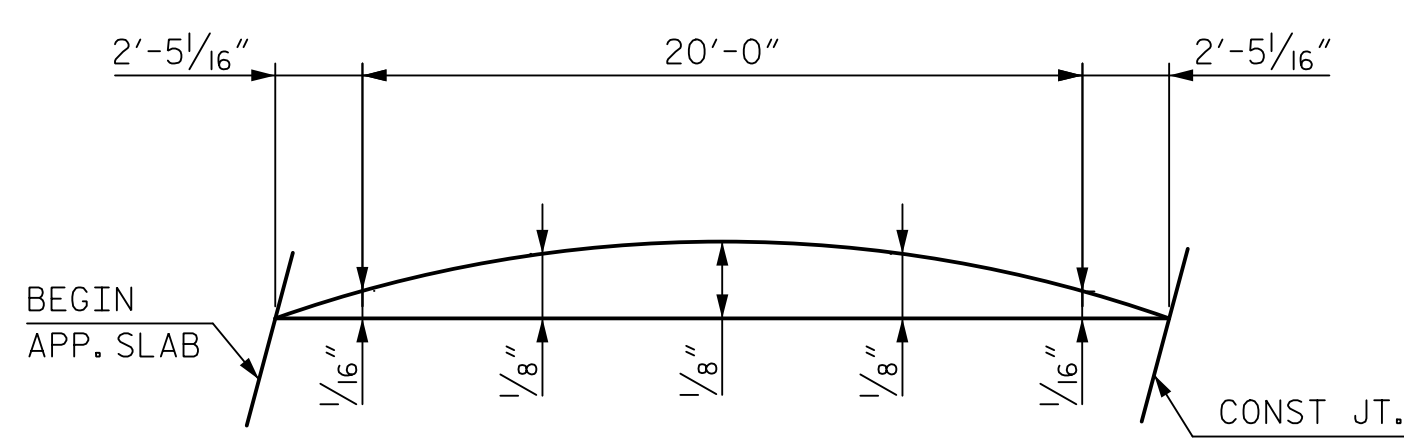


LEFT CURVE OFFSET

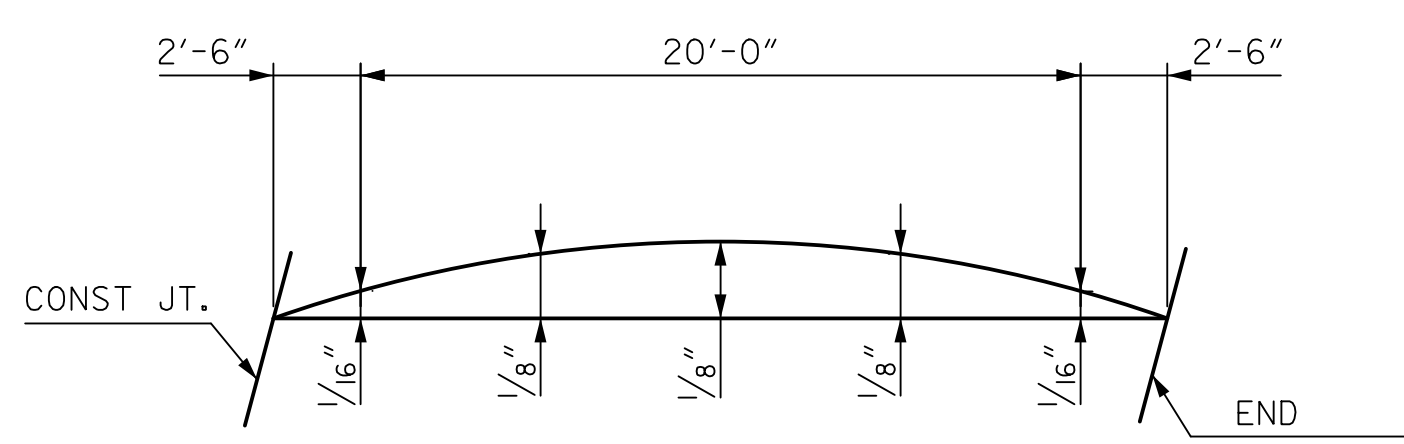


LEFT CURVE OFFSET



RIGHT CURVE OFFSET

CURVE OFFSETS - APPROACH SLAB AT END BENT 1



RIGHT CURVE OFFSET

CURVE OFFSETS - APPROACH SLAB AT END BENT 2

NOTES:
 FOR SECTION N-N, SEE "BRIDGE APPROACH SLAB FOR INTEGRAL ABUTMENT" SHEET 2 OF 3.
 FOR APPROACH SLAB BILL OF MATERIAL, SEE "BRIDGE APPROACH SLAB FOR INTEGRAL ABUTMENT" SHEET 2 OF 3.
 FOR SECTION THROUGH SLAB, SEE "BRIDGE APPROACH SLAB FOR INTEGRAL ABUTMENT" SHEET 2 OF 3.

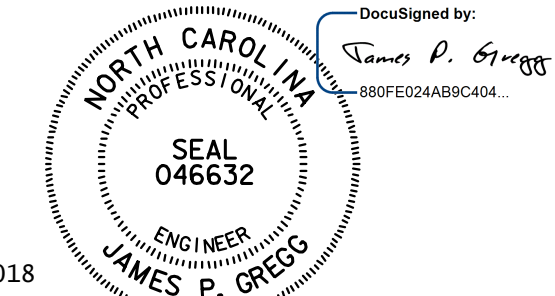
PROJECT NO. R-5021
BRUNSWICK COUNTY
 STATION: POC 390+15.00 -L-

SHEET 1 OF 3

STATE OF NORTH CAROLINA
 DEPARTMENT OF TRANSPORTATION
 RALEIGH

BRIDGE APPROACH
 SLAB PLAN

LEFT LANE



8/22/2018

HNTB HNTB NORTH CAROLINA, P.C.
 NC License No. C-1554
 343 E. Six Forks Rd., Suite 200, Raleigh, N.C. 27609

DRAWN BY: A. SMITH DATE: 6/17
 CHECKED BY: B. EMAMI DATE: 8/17
 DESIGN ENGINEER OF RECORD: J. GREGG DATE: 8/18

DWG. NO. 37

REVISIONS						SHEET NO.	
NO.	BY	DATE	NO.	BY	DATE	S5-37	
1			3			TOTAL SHEETS	
2			4			39	