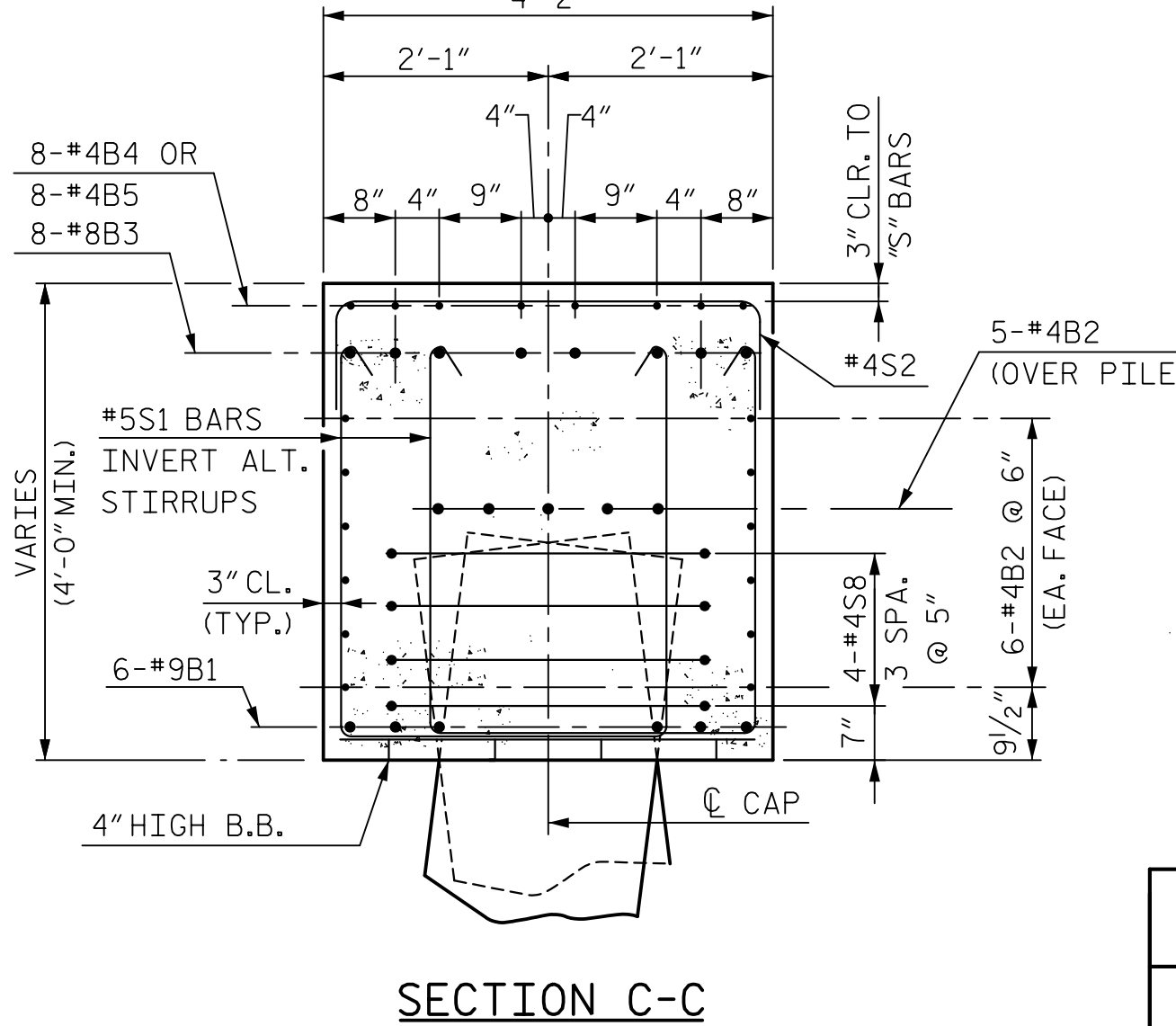
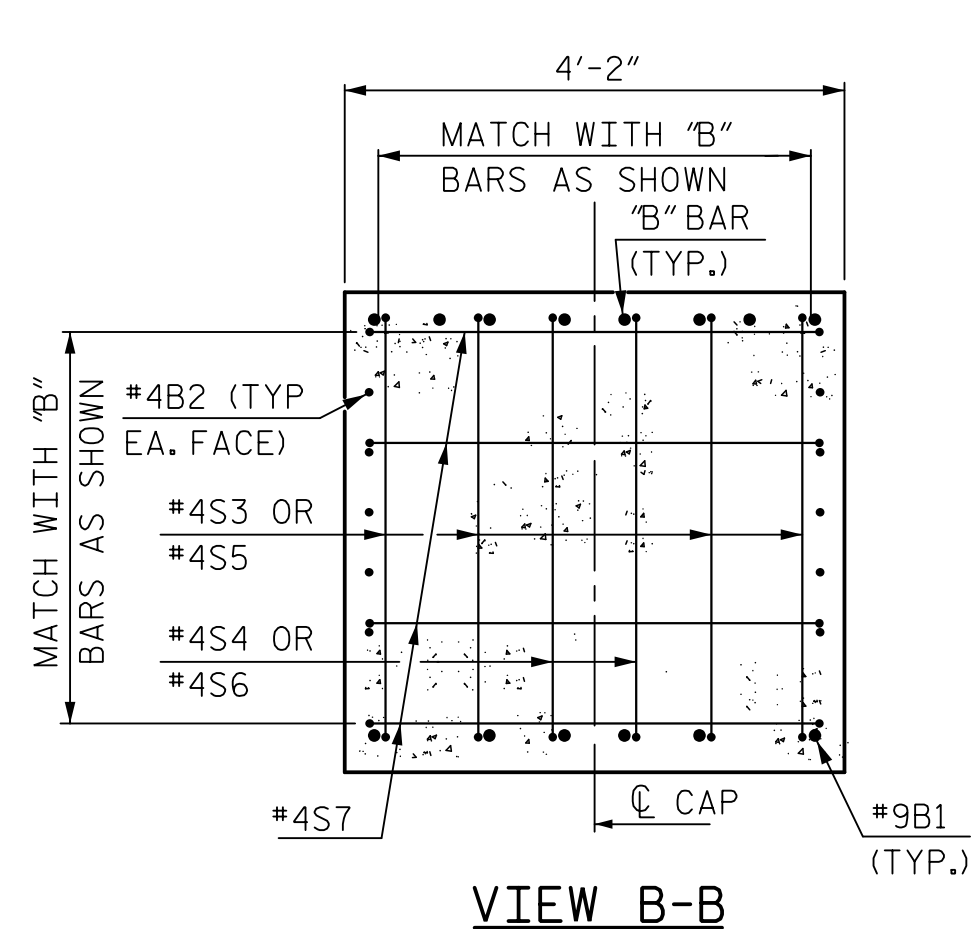
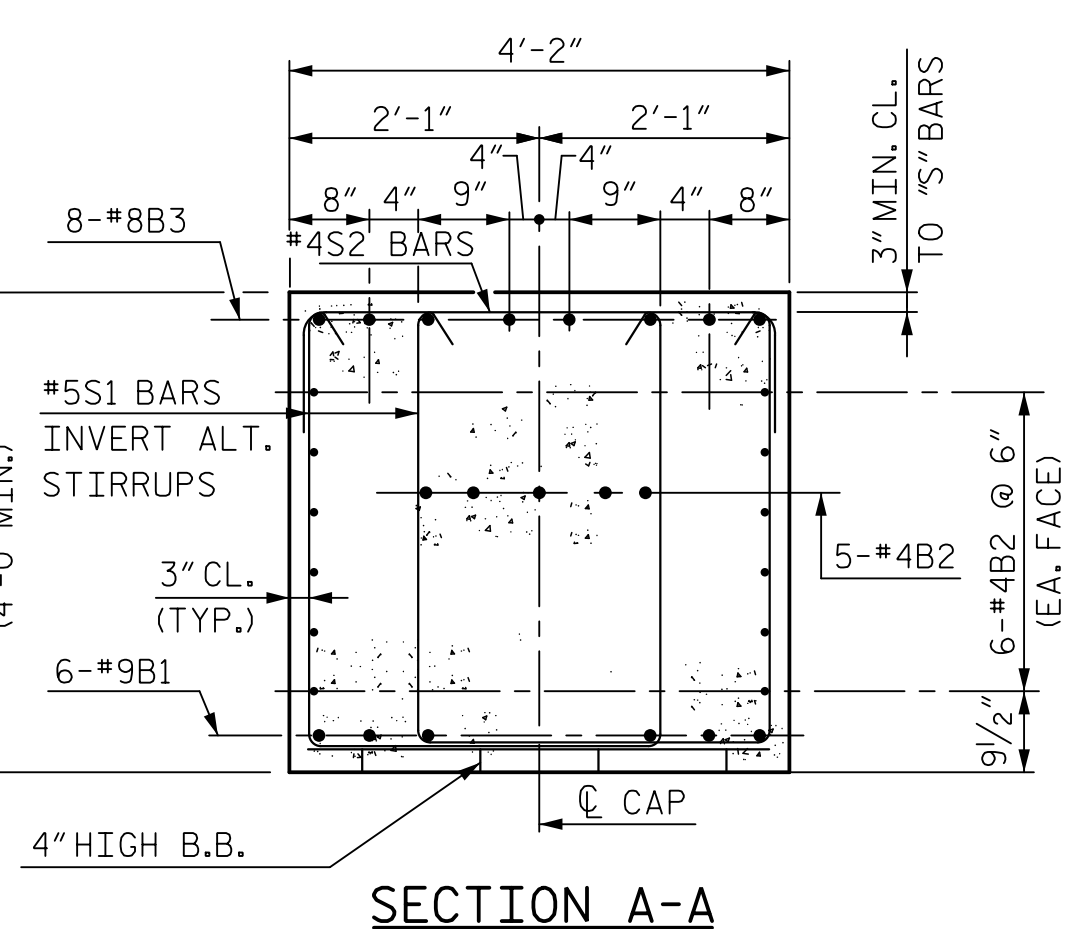
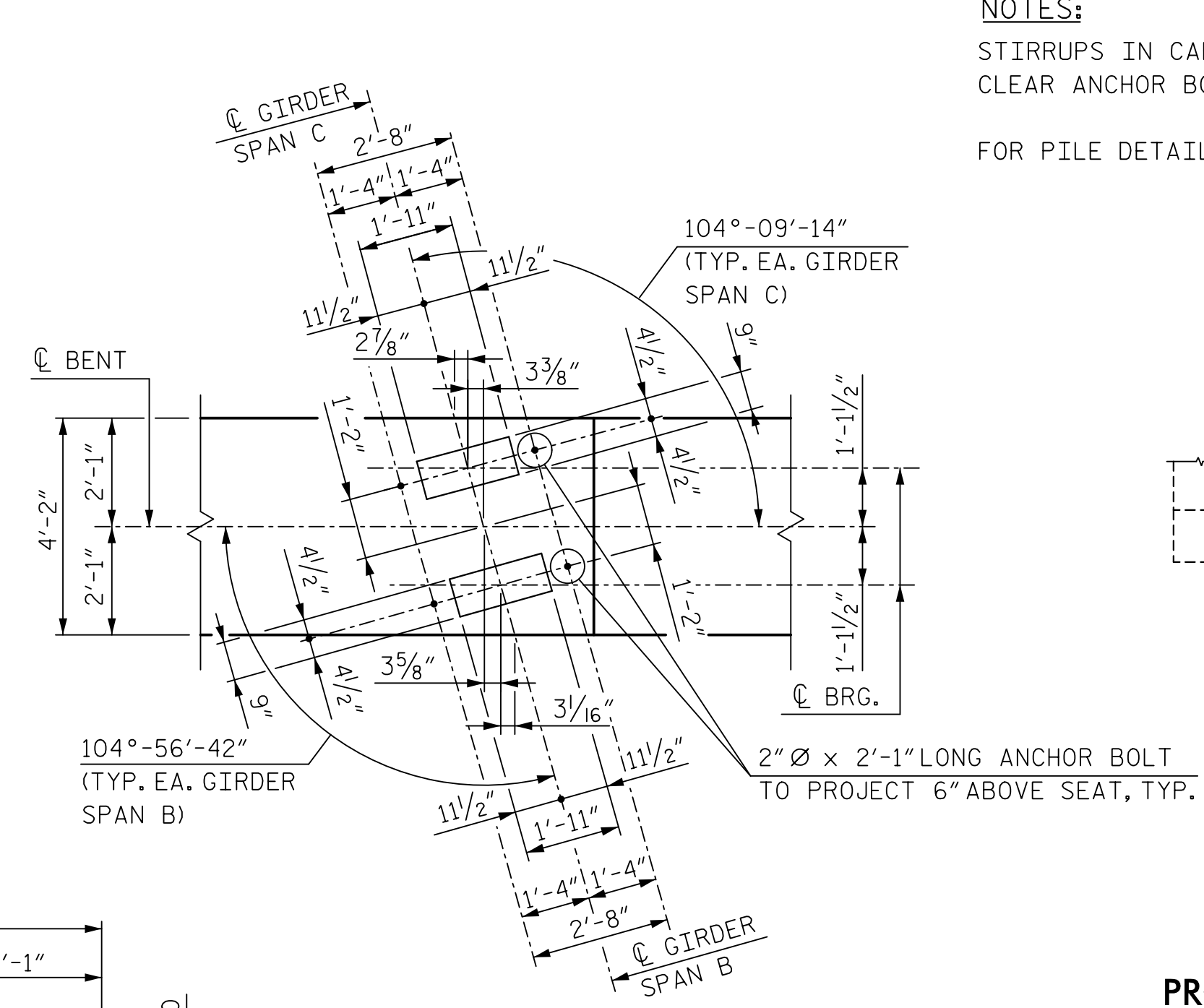
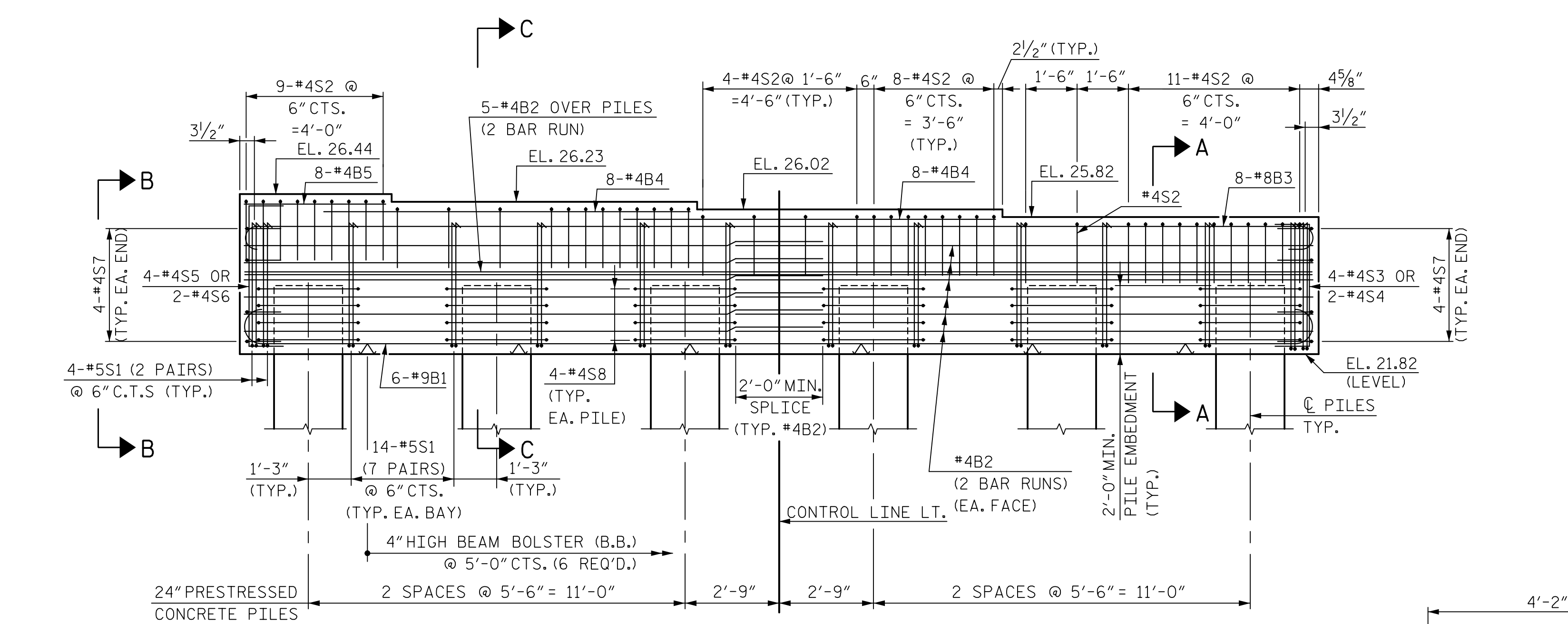


BILL OF REINFORCING					
BENT 2					
BAR	NO.	SIZE	TYPE	LENGTH	WEIGHT
B1	6	9	1	33'-6"	683
B2	34	4	STR.	16'-6"	375
B3	8	8	1	32'-10"	701
B4	16	4	STR.	10'-10"	116
B5	8	4	STR.	4'-1"	22
S1	78	5	2	10'-10"	881
S2	46	4	3	7'-2"	220
S3	4	4	3	6'-3"	17
S4	2	4	4	5'-6"	7
S5	4	4	3	6'-10"	18
S6	2	4	4	6'-1"	8
S7	8	4	3	6'-6"	35
S8	24	4	5	10'-8"	171

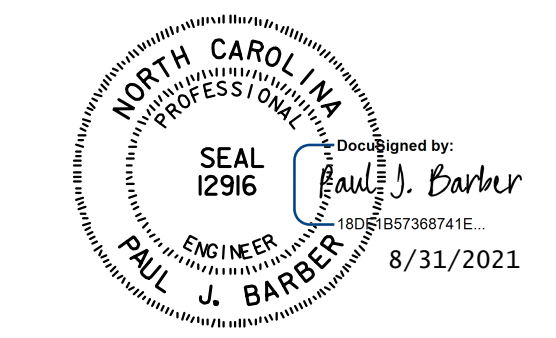
QUANTITIES		
EPOXY COATED REINFORCING STEEL	LBS.	3,254
CLASS AA CONCRETE		
CAP POUR 1	CU. YDS.	18.4
PRESTRESSED CONCRETE PILE	NO.	6
	FEET	630.0



NOTES:
 STIRRUPS IN CAP MAY BE SHIFTED AS NECESSARY TO CLEAR ANCHOR BOLTS.
 FOR PILE DETAILS, SEE SHEET S5-34.

INDICATES 1/2:12 PILE BATTERED IN DIRECTION SHOWN

PROJECT NO. R-5021
 BRUNSWICK COUNTY
 STATION: POC 390+15.00 -L-



HNTB HNTB NORTH CAROLINA, P.C.
 NC License No. C-1554
 343 E. Six Forks Rd., Suite 200, Raleigh, N.C. 27609

DRAWN BY: M. WRIGHT DATE: 7/21
 CHECKED BY: P. BARBER DATE: 7/21
 DESIGN ENGINEER OF RECORD: P. BARBER DATE: 7/21

DWG. NO. 30

STATE OF NORTH CAROLINA DEPARTMENT OF TRANSPORTATION RALEIGH					
SUBSTRUCTURE					
BENT 2					
LEFT LANE					
REVISIONS					SHEET NO.
NO.	BY	DATE	NO.	BY	DATE
1			3		
2			4		
					S5-30
					TOTAL SHEETS 39