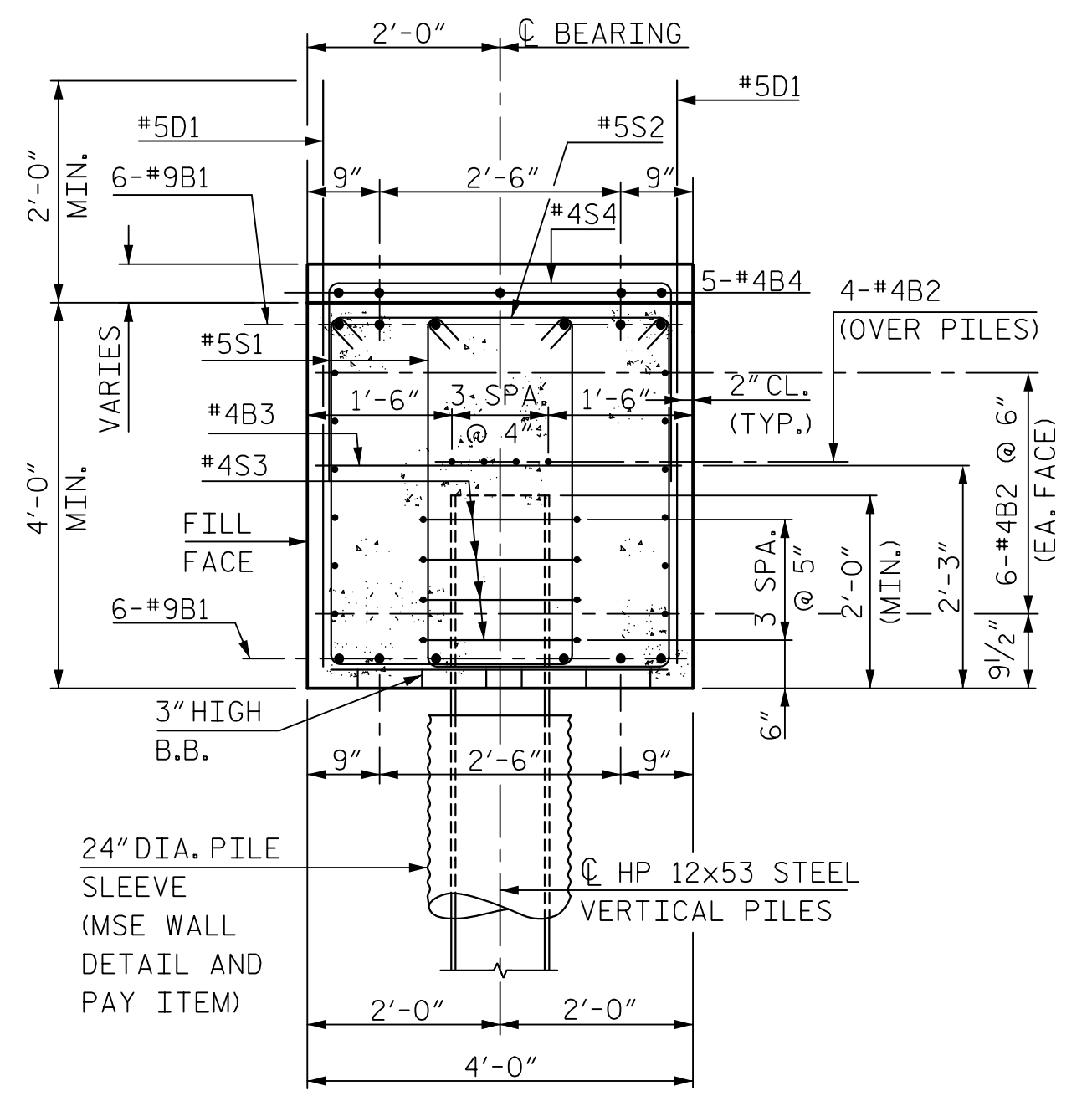
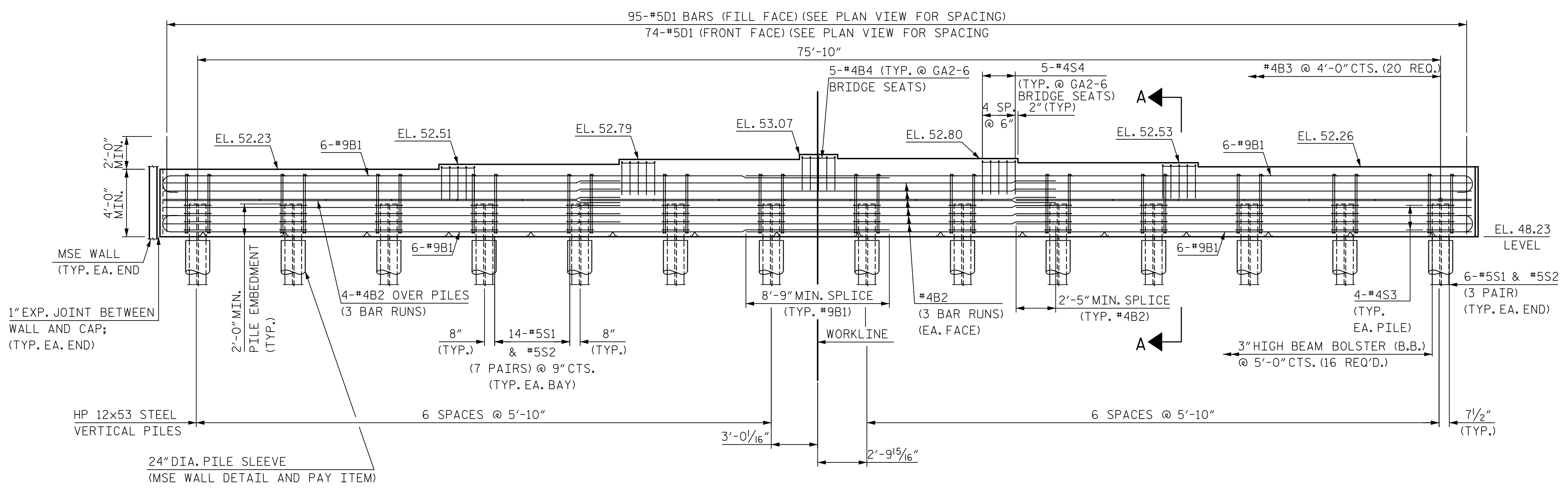


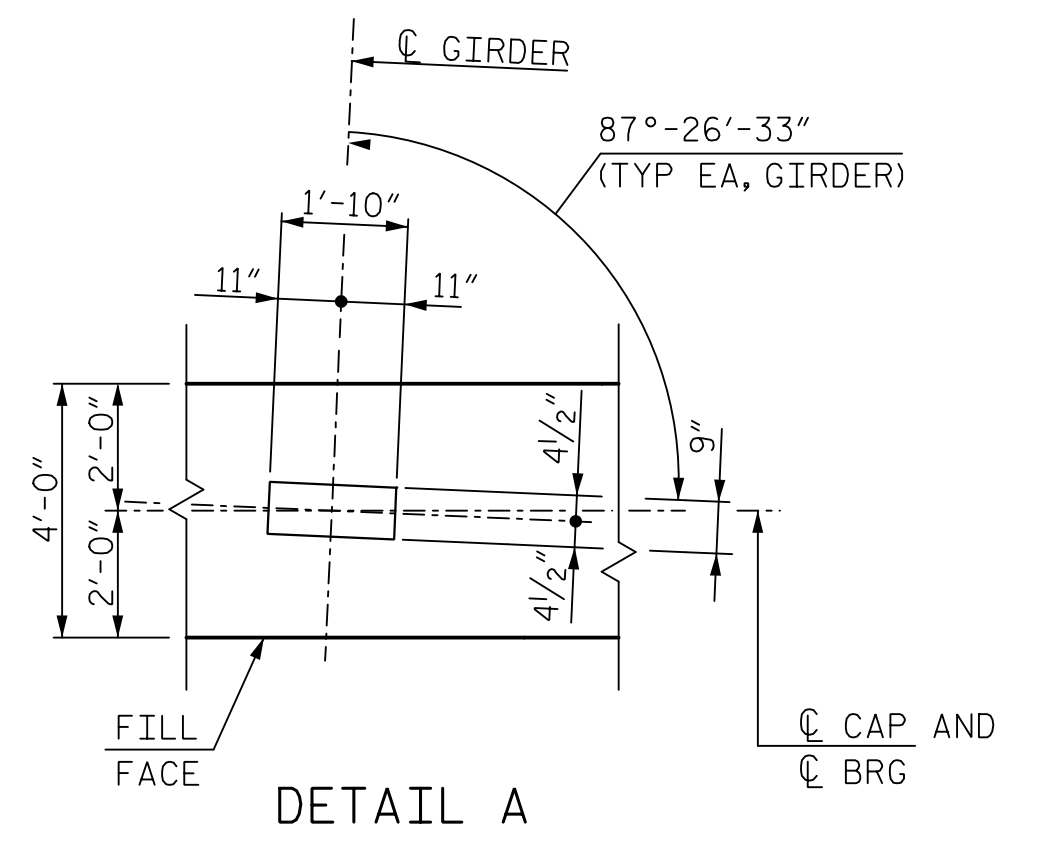
PLAN



SECTION A-A



ELEVATION

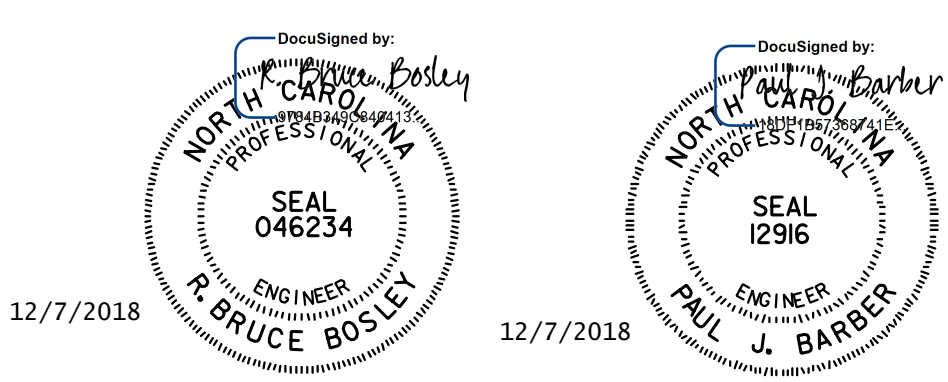


DETAIL A

NOTES:
 THE END BENT DIAPHRAGM SHALL BE POURED WITH THE SUPERSTRUCTURE.
 CONCRETE AND REINFORCING STEEL QUANTITIES ARE INCLUDED IN THE SUPERSTRUCTURE BILL OF MATERIALS. FOR DETAILS, SEE SUPERSTRUCTURE PLANS.

PROJECT NO. R-5021
 BRUNSWICK COUNTY
 STATION: 39+52.37 -Y14A-

SHEET 1 OF 2



DOCUMENT NOT CONSIDERED FINAL UNLESS ALL SIGNATURES COMPLETED

STATE OF NORTH CAROLINA
 DEPARTMENT OF TRANSPORTATION
 RALEIGH

SUBSTRUCTURE
 END BENT 1

HNTB		HNTB NORTH CAROLINA, P.C. NC License No. C-1554 343 E. Six Forks Rd., Suite 200, Raleigh, N.C. 27609			
DRAWN BY: L. WATERS	DATE: 7/18	DWG. NO. 17			
CHECKED BY: J. ELKINS	DATE: 7/18				
DESIGN ENGINEER OF RECORD: B. BOSLEY	DATE: 12/18				
REVISIONS					
NO.	BY	DATE	NO.	BY	DATE
1			3		
2			4		

SHEET NO. S4-17
 TOTAL SHEETS 24