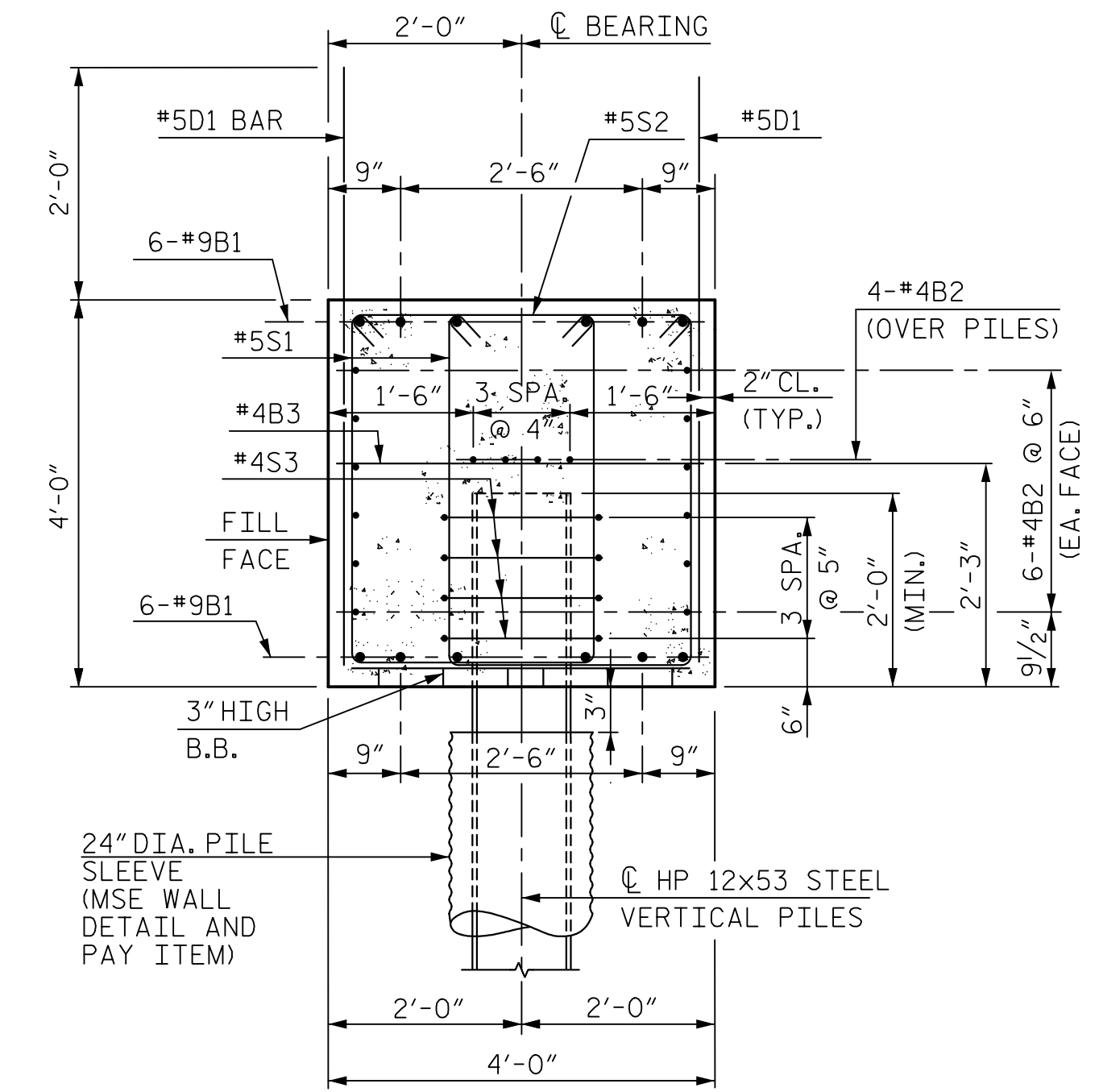
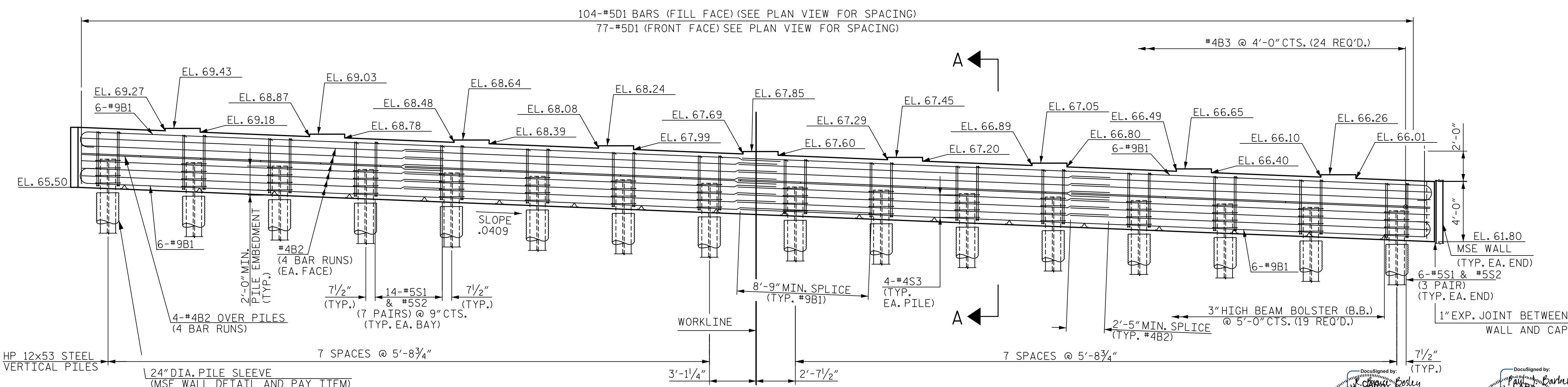


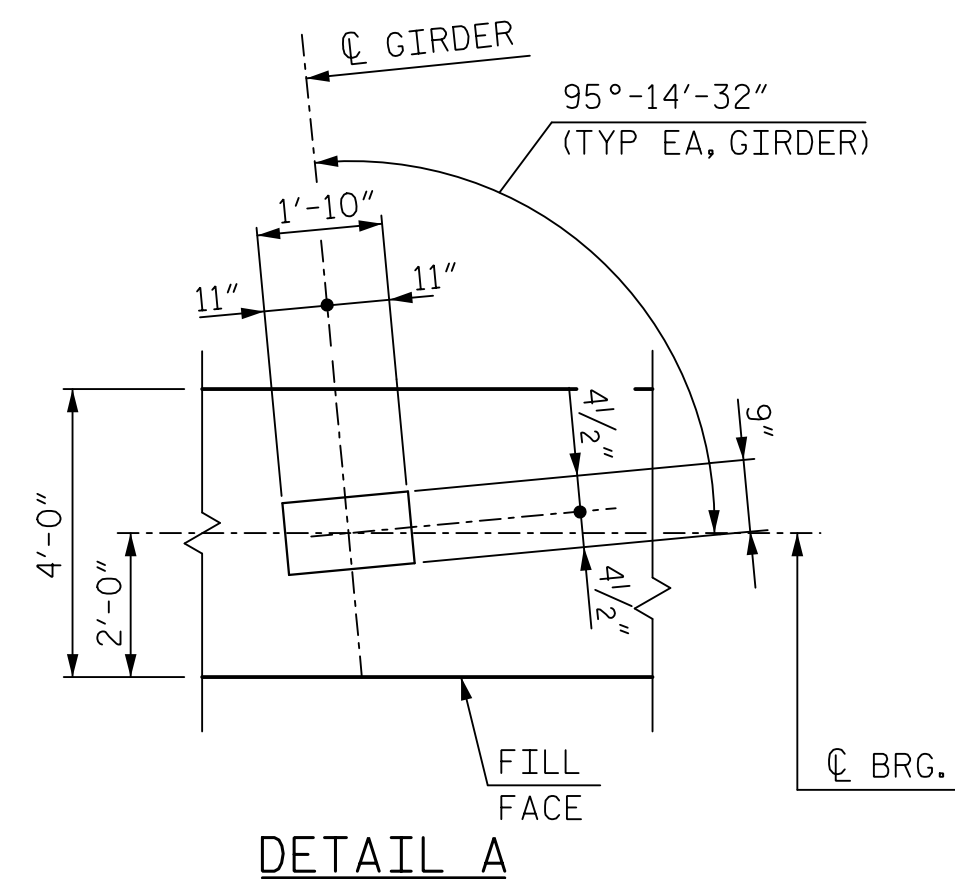
PLAN



SECTION A-A



ELEVATION



DETAIL A

NOTES:

THE END BENT DIAPHRAGM SHALL BE POURED WITH THE SUPERSTRUCTURE. CONCRETE AND REINFORCING STEEL QUANTITIES ARE INCLUDED IN THE SUPERSTRUCTURE BILL OF MATERIALS. FOR DETAILS, SEE SUPERSTRUCTURE PLANS.

PROJECT NO. R-5021
 BRUNSWICK COUNTY
 STATION: POC 31+30.81 -YREV-

SHEET 1 OF 2

STATE OF NORTH CAROLINA
 DEPARTMENT OF TRANSPORTATION
 RALEIGH

SUBSTRUCTURE
 END BENT 1

DocuSigned by:
 R. BOSLEY
 SEAL 046234
 ENGINEER
 12/7/2018

DocuSigned by:
 PAUL J. BARBER
 SEAL 12916
 ENGINEER
 12/7/2018

DOCUMENT NOT CONSIDERED
 FINAL UNLESS ALL
 SIGNATURES COMPLETED

HNTB		HNTB NORTH CAROLINA, P.C. NC License No. C-1554 343 E. Six Forks Rd., Suite 200, Raleigh, N.C. 27609	
DRAWN BY: L. WATERS	DATE: 6/18	DWG. NO. 18	SHEET NO. S3-18
CHECKED BY: J. ELKINS	DATE: 6/18		
DESIGN ENGINEER OF RECORD: B. BOSLEY	DATE: 12/18		

REVISIONS						SHEET NO. S3-18
NO.	BY	DATE	NO.	BY	DATE	
1			3			TOTAL SHEETS 25
2			4			