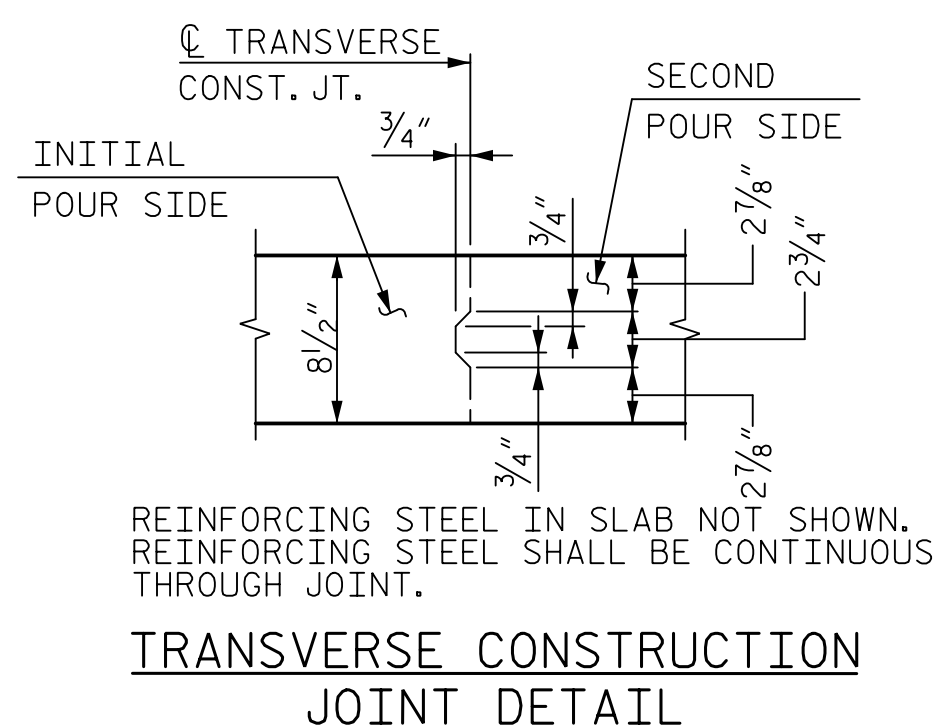
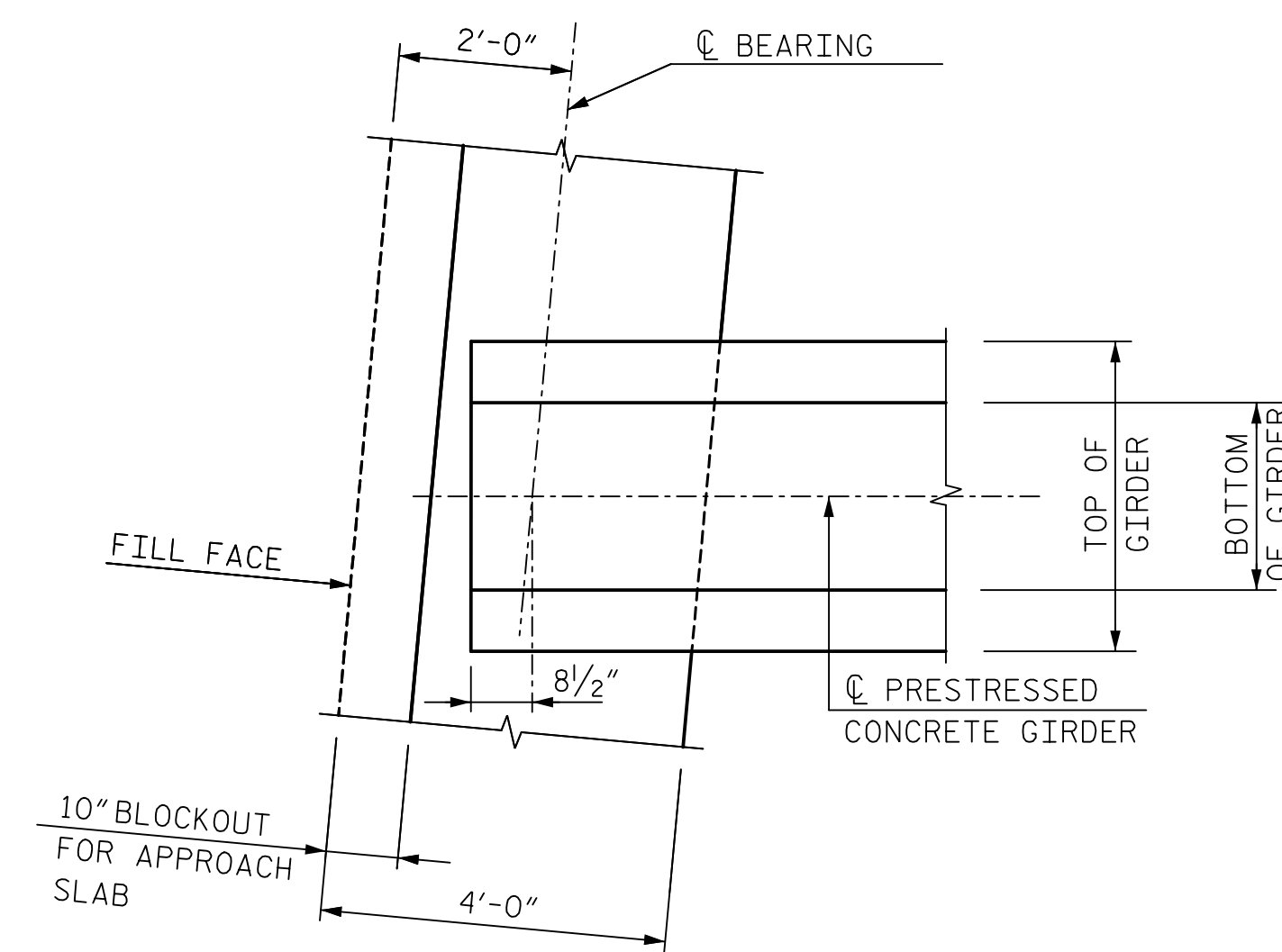


SECTION A-A
(END BENT 1 SHOWN, END BENT 2 SIMILAR)

* THE TOP SURFACE OF THE END BENT CAP EXCLUDING THE BEARING AREA SHALL BE RAKED TO A DEPTH OF 1/4".



TRANSVERSE CONSTRUCTION JOINT DETAIL



PLAN OF GIRDER AT INTEGRAL END BENT 1
(END BENT 2 SIMILAR)

PROJECT NO. R-5021
BRUNSWICK COUNTY
STATION: POC 31+30.81 -YREV-

SHEET 2 OF 2

STATE OF NORTH CAROLINA
DEPARTMENT OF TRANSPORTATION
RALEIGH

SUPERSTRUCTURE
TYPICAL SECTION
DETAILS

DocuSigned by:
R. BRUCE BOSLEY
SEAL 046234
ENGINEER
12/7/2018

DocuSigned by:
PAUL J. BARBER
SEAL 12916
ENGINEER
12/7/2018

DOCUMENT NOT CONSIDERED
FINAL UNLESS ALL
SIGNATURES COMPLETED

HNTB HNTB NORTH CAROLINA, P.C.
NC License No. C-1554
343 E. Six Forks Rd., Suite 200, Raleigh, N.C. 27609

DRAWN BY: A. GOFF DATE: 6/18
CHECKED BY: J. ELKINS DATE: 6/18
DESIGN ENGINEER OF RECORD: B. BOSLEY DATE: 12/18

DWG. NO. 7

REVISIONS						SHEET NO.
NO.	BY	DATE	NO.	BY	DATE	S3-7
1			3			TOTAL SHEETS
2			4			25