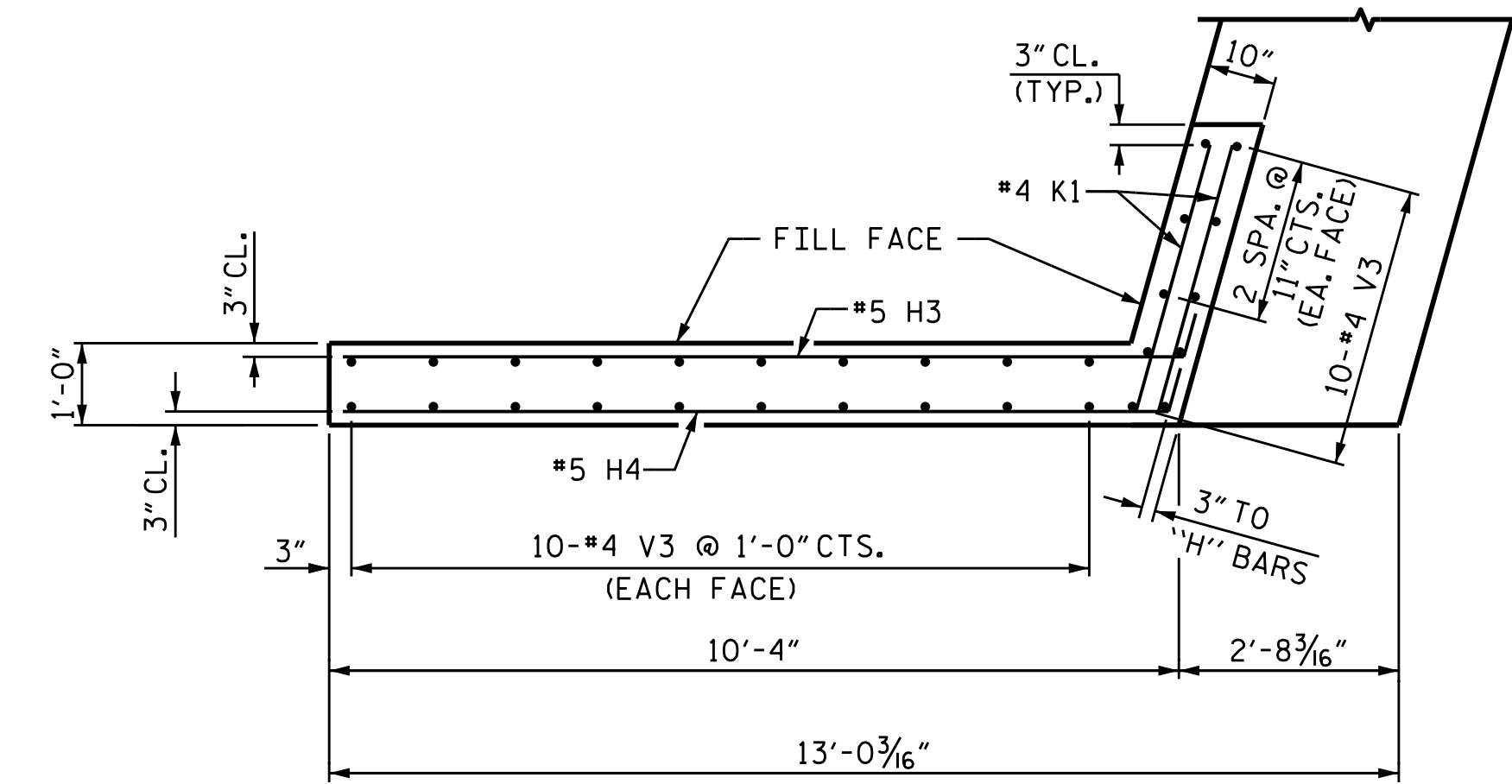
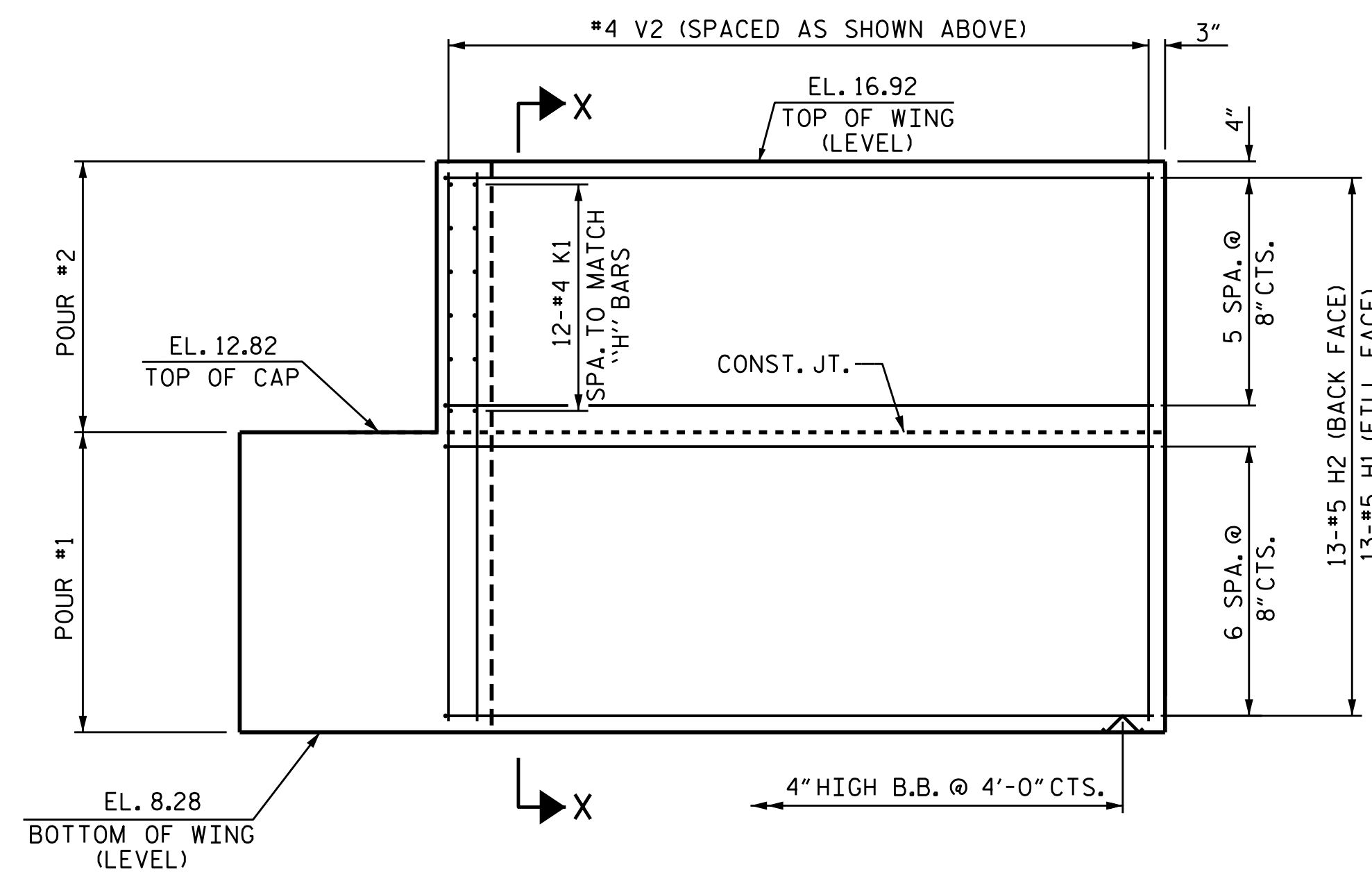


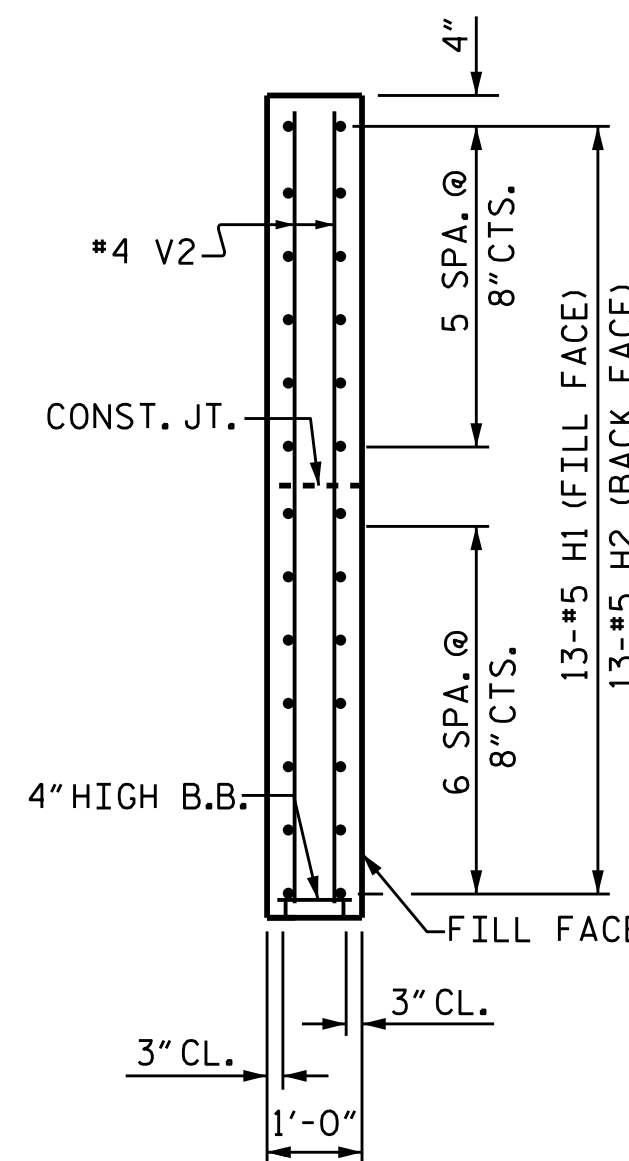
PLAN OF WING W1



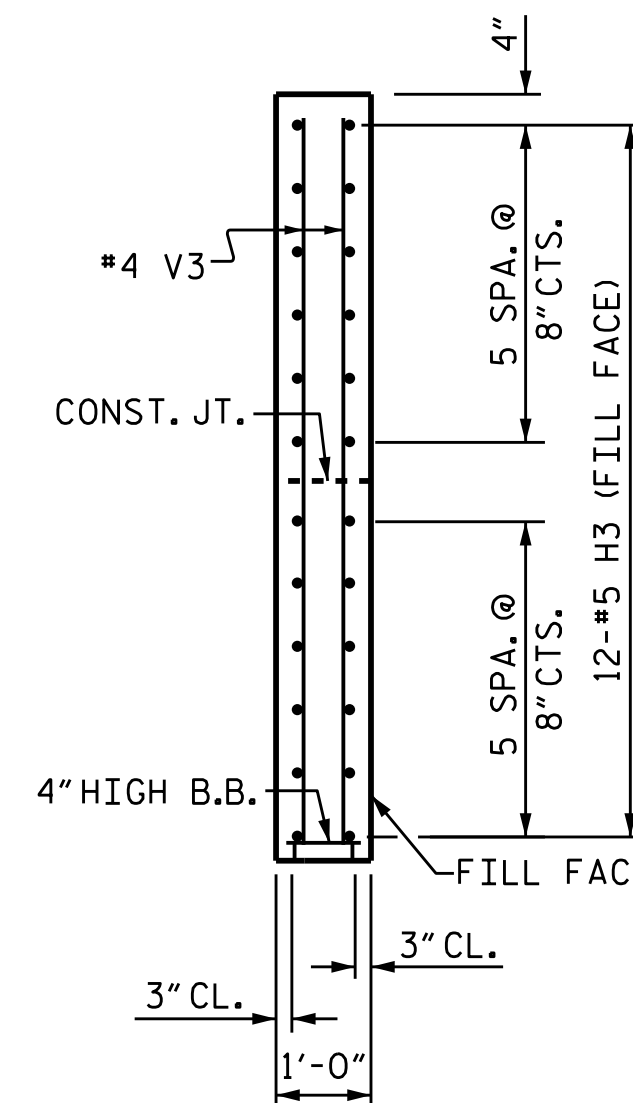
PLAN OF WING W2



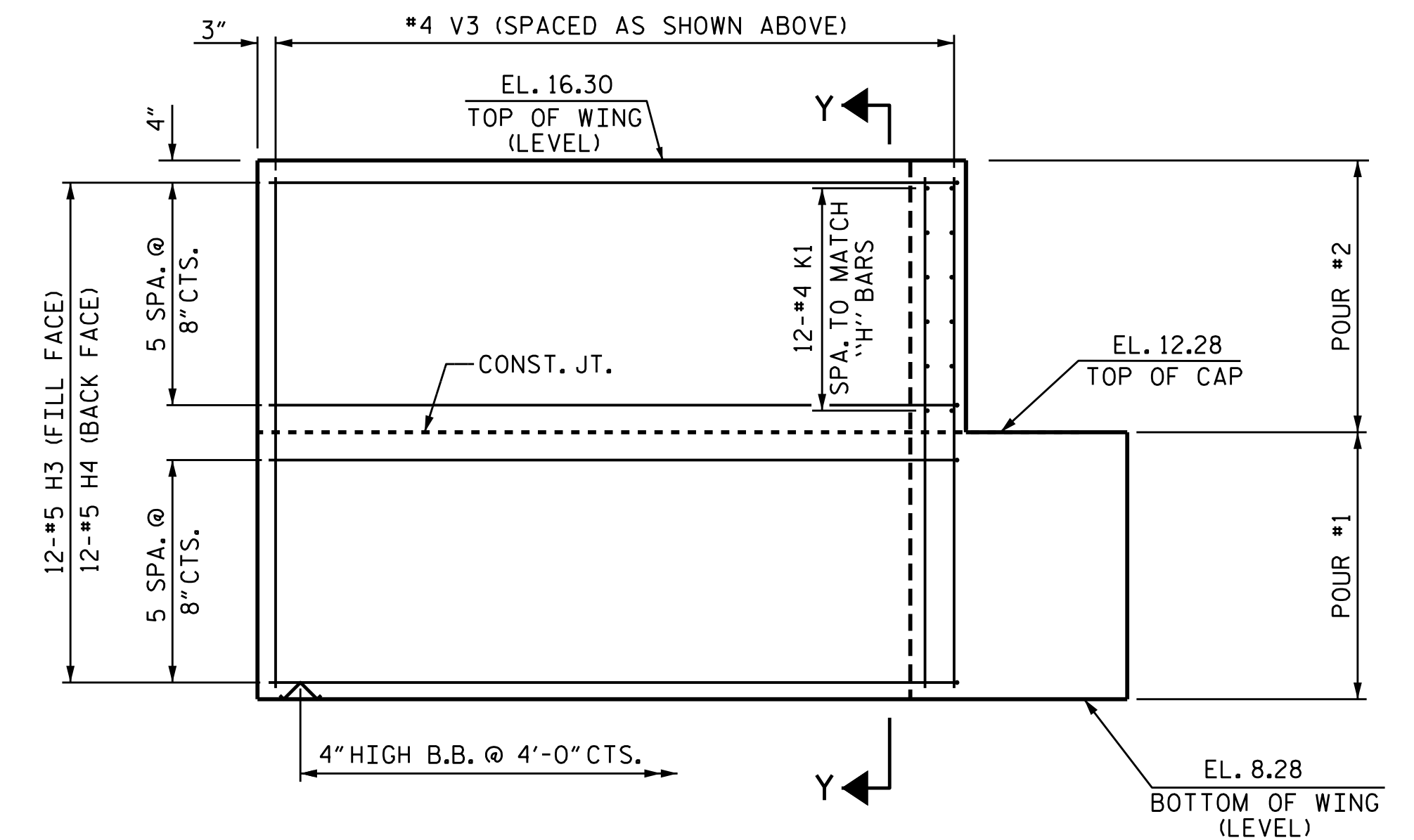
ELEVATION OF WING W1



SECTION X-X



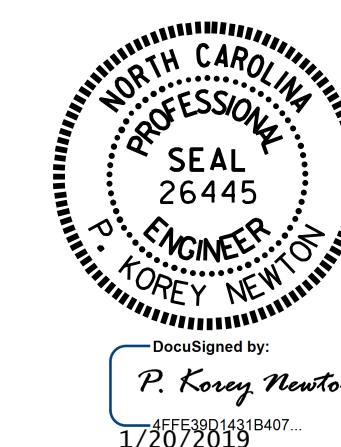
SECTION Y-Y



ELEVATION OF WING W2

PROJECT NO. R-5021
BRUNSWICK COUNTY
 STATION: 369+42.00 -L-

SHEET 2 OF 3



STATE OF NORTH CAROLINA
 DEPARTMENT OF TRANSPORTATION
 RALEIGH

SUBSTRUCTURE
 INTEGRAL
 END BENT 1
 (EBL)

DRAWN BY : O. T. NGUYEN DATE : 5/17/18
 CHECKED BY : M. K. BEARD DATE : 8/18
 DESIGN ENGINEER OF RECORD: A. K. PATEL DATE : 1/10/19

DOCUMENT NOT CONSIDERED
 FINAL UNLESS ALL
 SIGNATURES COMPLETED

REVISIONS						SHEET NO.
NO.	BY:	DATE:	NO.	BY:	DATE:	TOTAL SHEETS
1			3			38
2			4			