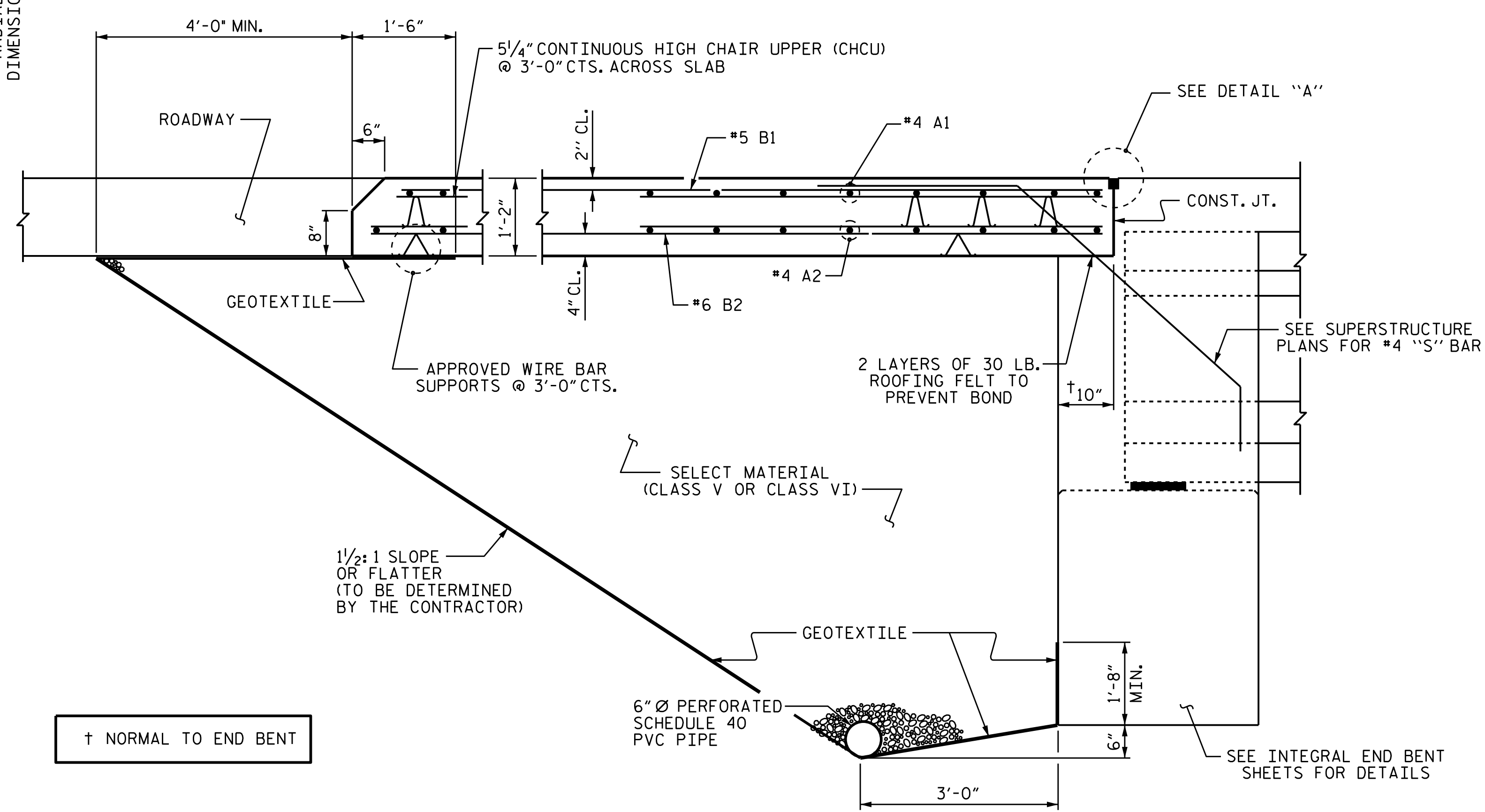


PLAN @ END BENT 1 PLAN @ END BENT 2

DIMENSIONS SHOWN ARE TYPICAL FOR BOTH APPROACH SLABS



SECTION THRU SLAB

(TYPE I - STANDARD APPROACH FILL)

NOTES

APPROACH SLAB SHALL NOT BE CONSTRUCTED PRIOR TO COMPLETION OF THE BRIDGE DECK.

FOR BRIDGE APPROACH FILL INCLUDING GEOTEXTILE, 6" Ø DRAINAGE PIPE, AND SELECT MATERIAL, SEE ROADWAY PLANS.

GEOTEXTILE SHALL BE TYPE 1 IN ACCORDANCE WITH THE STANDARD SPECIFICATIONS SECTION 1056.

SELECT MATERIAL BACKFILL (CLASS V OR CLASS VI) SHALL BE IN ACCORDANCE WITH STANDARD SPECIFICATIONS SECTION 1016.

SELECT MATERIAL BACKFILL IS TO BE CONTINUOUS ALONG FILL FACE OF BACKWALL FROM OUTSIDE EDGE TO OUTSIDE EDGE OF APPROACH SLAB.

FOR THE 6" Ø DRAINAGE PIPE OUTLET(S), SEE ROADWAY STANDARD DRAWINGS.

AREA BETWEEN THE WINGWALL AND APPROACH SLAB SHALL BE GRADED TO DRAIN THE WATER AWAY FROM THE FILL FACE OF THE BRIDGE AND SHALL BE PAVED. SEE ROADWAY PLANS.

THE JOINT OPENING AT THE APPROACH SLAB/DECK INTERFACE SHALL BE SAWED NO MORE THAN 12 HOURS AFTER THE APPROACH SLAB IS CAST. THE JOINT SHALL BE CLEANED OF ALL DEBRIS BEFORE THE SEALANT IS APPLIED. THE JOINT SEALER MATERIAL SHALL CONFORM TO THE REQUIREMENTS OF SECTION 1028-3 OF THE STANDARD SPECIFICATIONS.

AT THE CONTRACTORS OPTION, "TYPE A - ALTERNATE APPROACH FILL" IN LIEU OF "TYPE I - STANDARD APPROACH FILL" MAY BE CONSTRUCTED AT NO ADDITIONAL COST TO THE DEPARTMENT. SEE SHEET 2 OF 2 FOR DETAILS AND NOTES.

ARC OFFSETS ARE NEGLIGIBLE, THEREFORE NOT SHOWN.

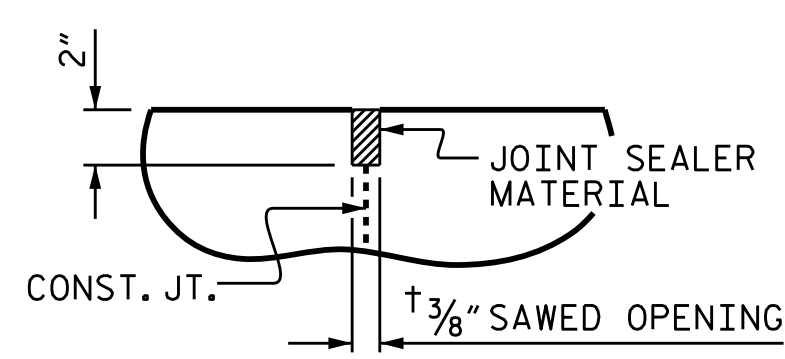
BILL OF MATERIAL

FOR ONE APPROACH SLAB (2 REQ'D)

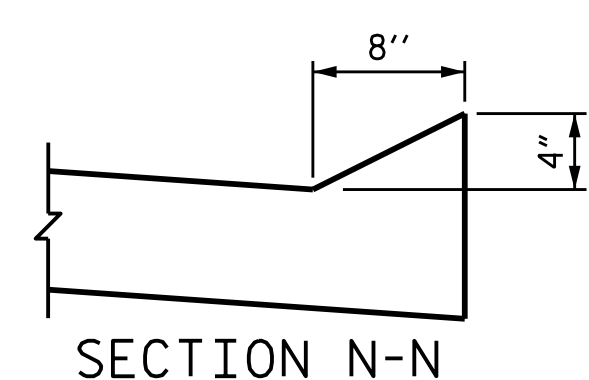
BAR	NO.	SIZE	TYPE	LENGTH	WEIGHT
* A1	52	#4	STR	16'-5"	580
* A2	52	#4	STR	16'-5"	580
* B1	63	#5	STR	24'-0"	1552
* B2	63	#6	STR	24'-6"	2281
* EPOXY COATED REINFORCING STEEL					4994 LBS.
CLASS AA CONCRETE					35.2 C. Y.

SPLICE LENGTHS

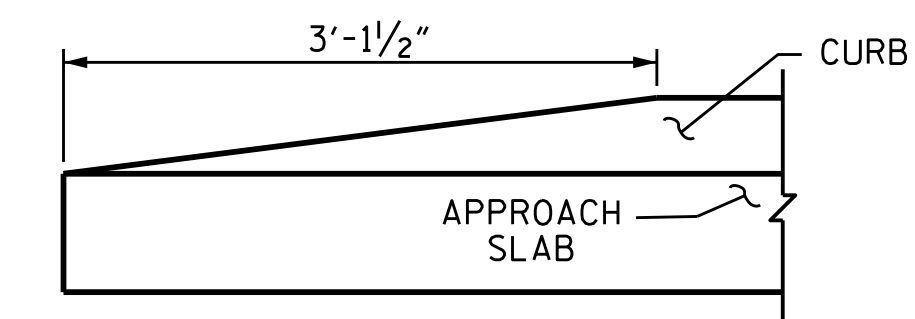
BAR SIZE	EPOXY COATED	UNCOATED
#4	2'-0"	1'-9"
#5	2'-6"	2'-2"
#6	3'-10"	2'-7"



DETAIL "A"



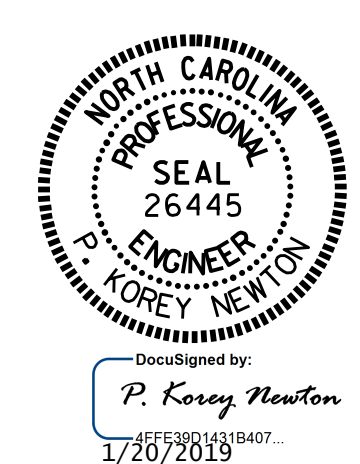
SECTION N-N



END OF CURB WITHOUT SHOULDER BERM GUTTER

PROJECT NO. R-5021
BRUNSWICK COUNTY
STATION: 369+42.00 -L-

SHEET 1 OF 2



STATE OF NORTH CAROLINA
DEPARTMENT OF TRANSPORTATION
RALEIGH
STANDARD
BRIDGE APPROACH SLAB
FOR INTEGRAL ABUTMENT (WBL)

ASSEMBLED BY : G. KOUCECKI/OTN	DATE : 11/15-5/18	
CHECKED BY : M. K. BEARD	DATE : 11/18	
DRAWN BY : TLA	REV. 12/21/11	MAA/GM
CHECKED BY : GM	REV. 6/13	MAA/GM
	REV. 12/17	MAA/THC

DOCUMENT NOT CONSIDERED FINAL UNLESS ALL SIGNATURES COMPLETED

REVISIONS						SHEET NO.
NO.	BY:	DATE:	NO.	BY:	DATE:	S1-37
1			3			TOTAL SHEETS 38
2			4			