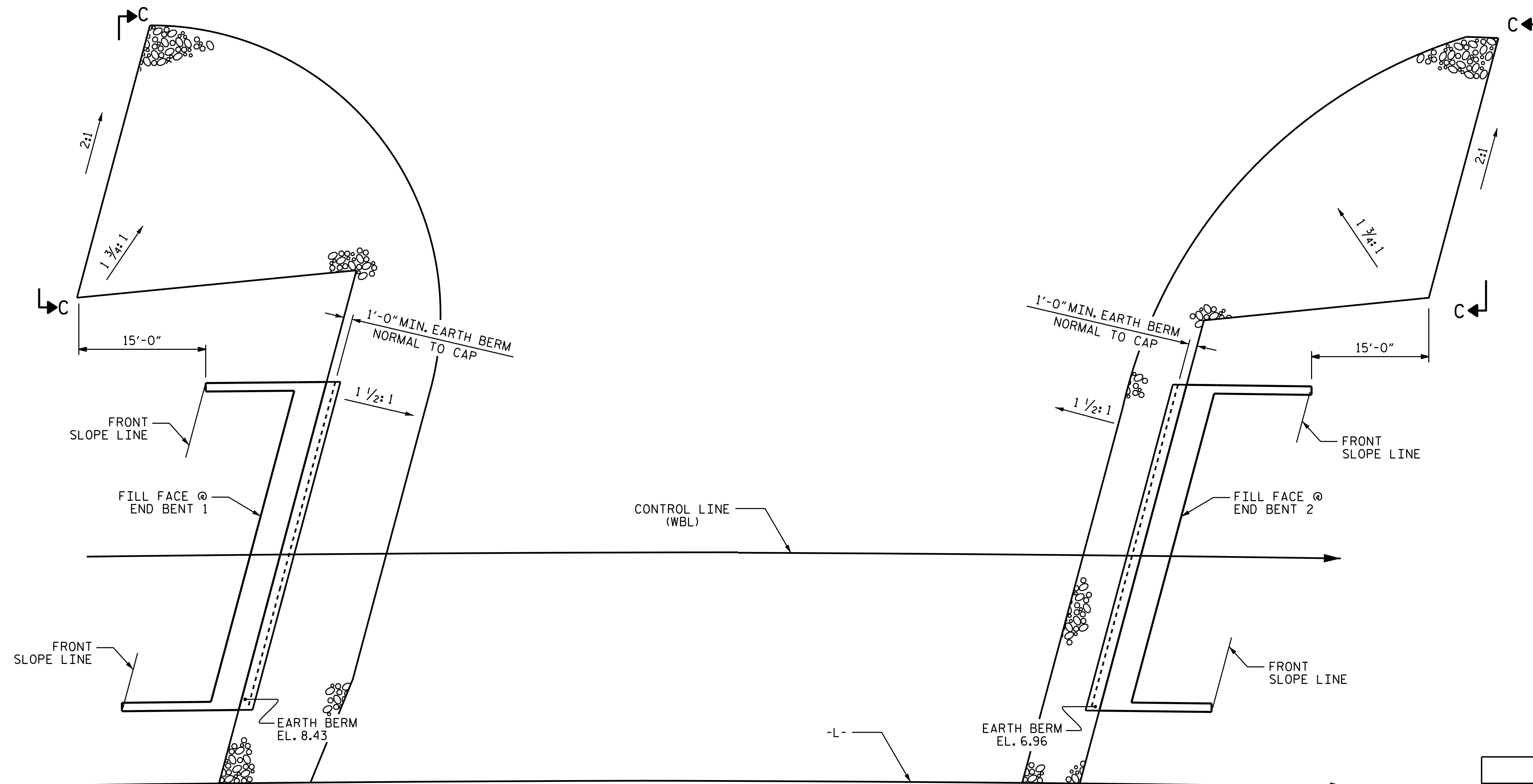


NOTE :
FOR BERM WIDTH DIMENSIONS, SEE GENERAL DRAWING.

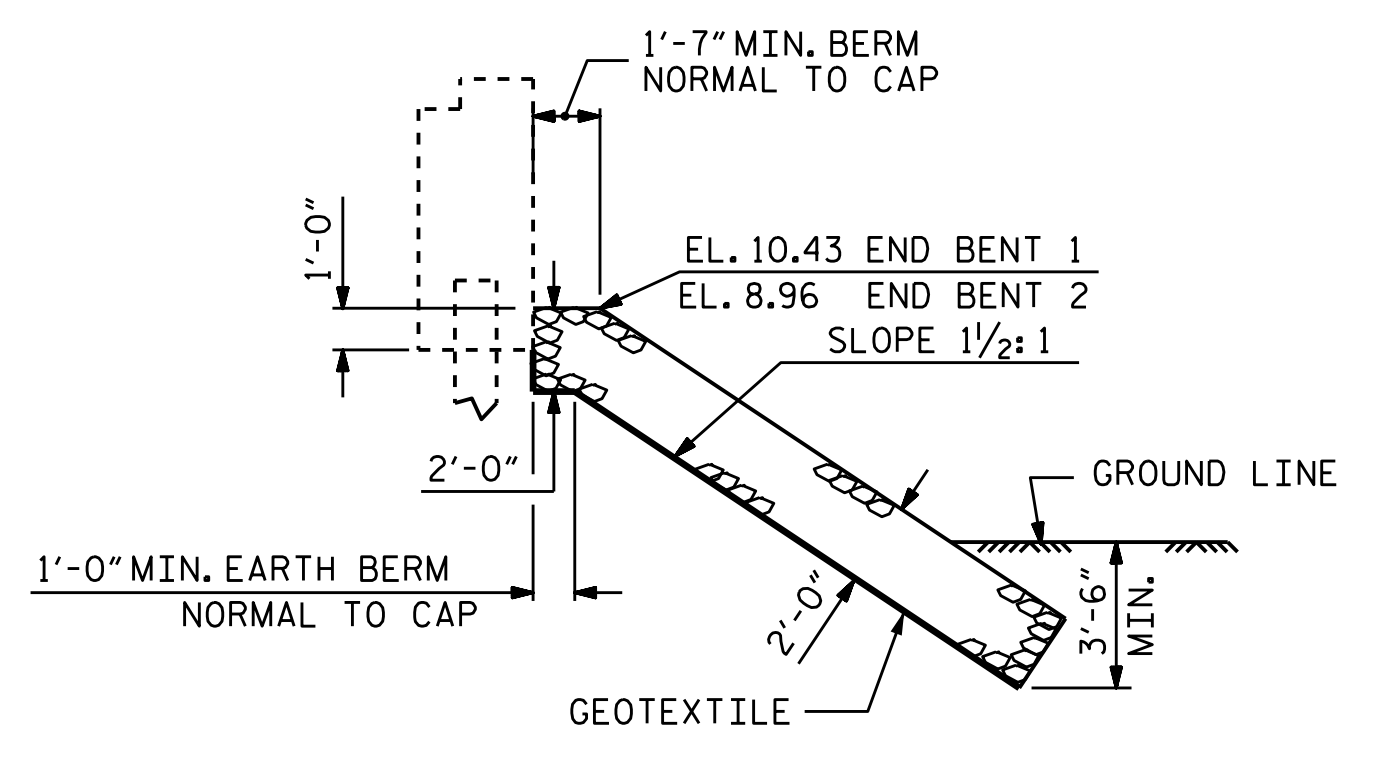


END BENT 1

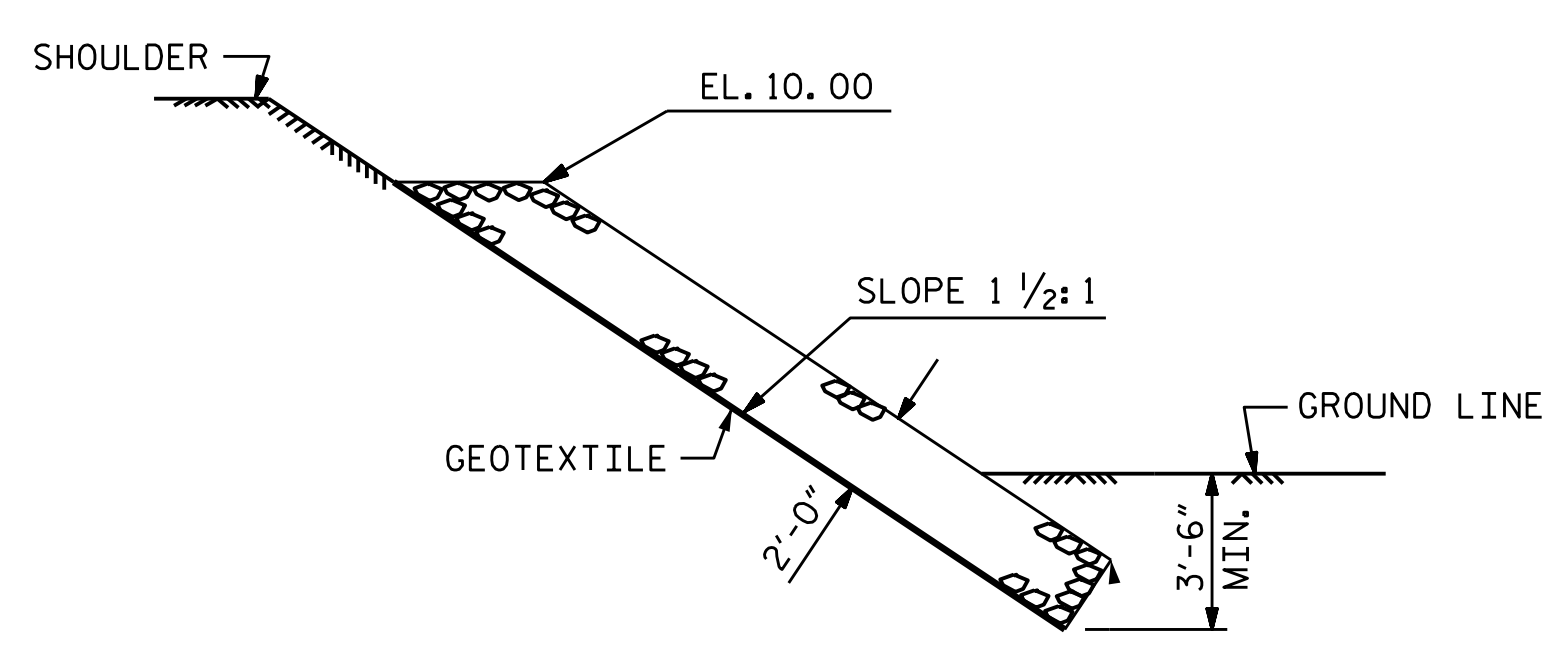
END BENT 2

PLAN

ESTIMATED QUANTITIES		
BRIDGE @ STA. 369+42.00 -L-	RIP RAP CLASS II (2'-0" THICK)	GEOTEXTILE FOR DRAINAGE
	TONS	SQUARE YARDS
END BENT 1	170	190
END BENT 2	125	140

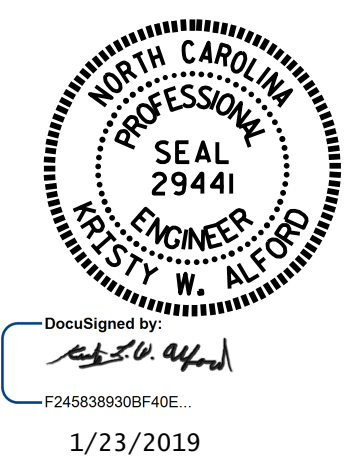


SECTION C-C
BERM RIP RAPPED



SECTION C-C

PROJECT NO. R-5021
BRUNSWICK COUNTY
STATION: 369+42.00 -L-



STATE OF NORTH CAROLINA
DEPARTMENT OF TRANSPORTATION
RALEIGH
**RIP RAP DETAILS
(WBL)**

ASSEMBLED BY : G. KOUCHEKI/OTN	DATE : 5/18
CHECKED BY : M. K. BEARD	DATE : 11/18
DRAWN BY : REK 1/84	REV. 10/1/11 MAA/GM
CHECKED BY : RDU 1/84	REV. 12/21/11 MAA/GM
	REV. 12/17 MAA/THC

DOCUMENT NOT CONSIDERED
FINAL UNLESS ALL
SIGNATURES COMPLETED

REVISIONS						SHEET NO.
NO.	BY:	DATE:	NO.	BY:	DATE:	S1-36
1			3			TOTAL SHEETS 38
2			4			