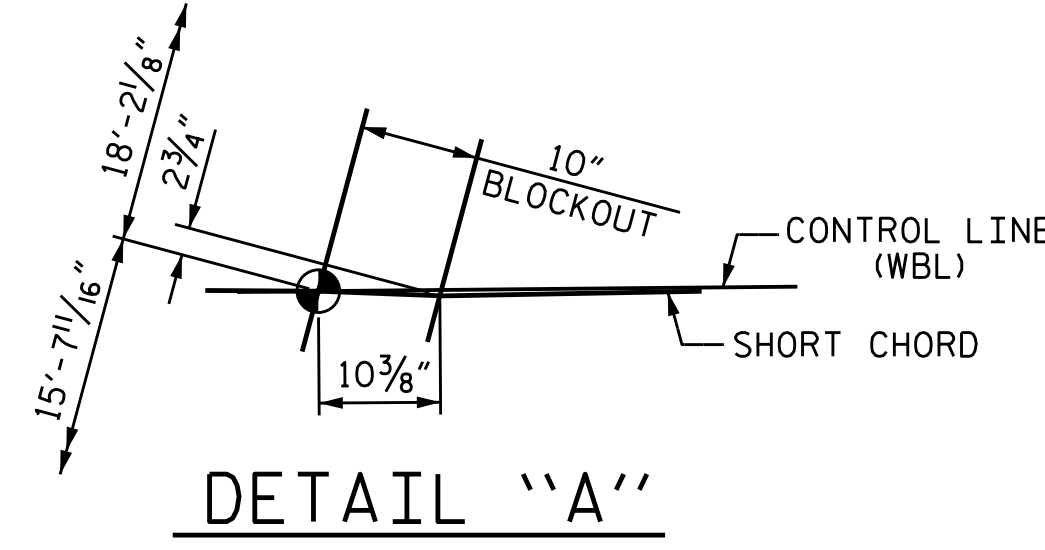


PLAN OF SPAN A

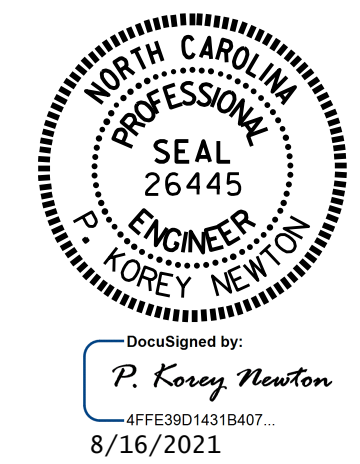


DETAIL "A"

PROJECT NO. R-5021
 BRUNSWICK COUNTY
 STATION: 369+42.00 -L-

SHEET 1 OF 4

STATE OF NORTH CAROLINA
 DEPARTMENT OF TRANSPORTATION
 RALEIGH
 SUPERSTRUCTURE
 PLAN OF SPAN A
 (WBL)



DRAWN BY: WFP / QTN / MKB DATE: 8/12/21
 CHECKED BY: D.R. SHACKELFORD DATE: 8/13/21
 DESIGN ENGINEER OF RECORD: P.K. NEWTON DATE: 8/13/21

DOCUMENT NOT CONSIDERED
 FINAL UNLESS ALL
 SIGNATURES COMPLETED

REVISIONS						SHEET NO.
NO.	BY:	DATE:	NO.	BY:	DATE:	S1-9
1			3			TOTAL SHEETS
2			4			38