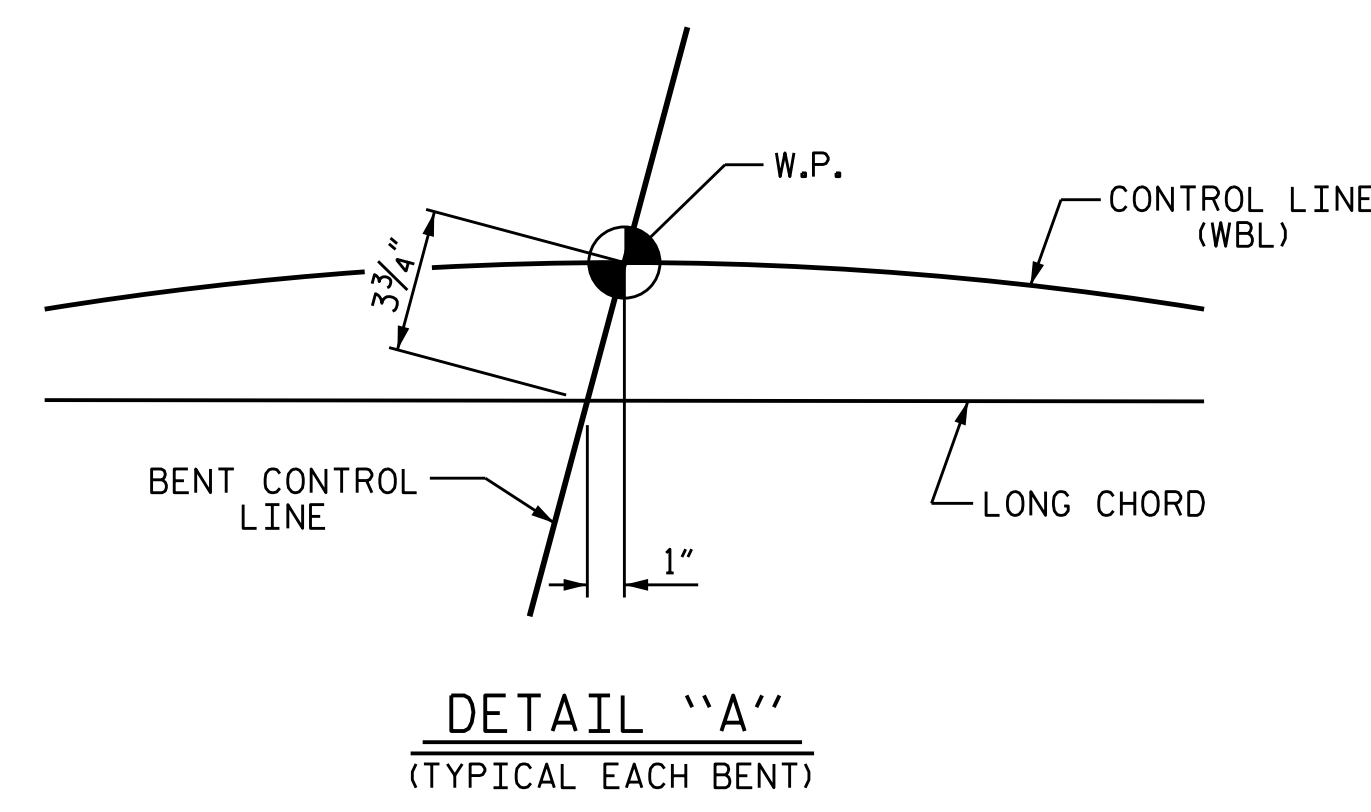


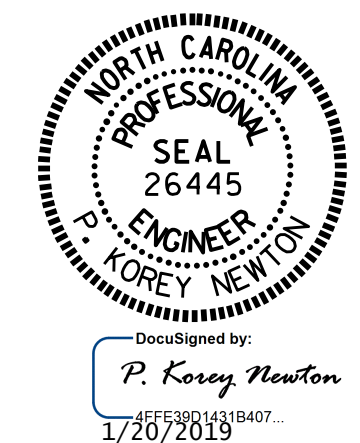
LONG CHORD LAYOUT

ANGLES				HORIZONTAL CURVE DATA	
LONG CHORD		SHORT CHORD			
L1	104°-56'-11"	S1	105°-22'-59"	PI STA. 374+14.38 -L-	
L2	104°-56'-11"	S2	104°-56'-11"	Δ = 23°-51'-25.5" (RT)	
L3	104°-56'-11"	S3	104°-29'-22"	D = 0°-53'-03.1"	
L4	104°-56'-11"	S4	104°-29'-22"	L = 2,698.17'	
				T = 1368.92'	
				R = 6480.00'	



PROJECT NO. R-5021  
BRUNSWICK COUNTY  
 STATION: 369+42.00 -L-

SHEET 3 OF 4  
 STATE OF NORTH CAROLINA  
 DEPARTMENT OF TRANSPORTATION  
 RALEIGH  
**GENERAL DRAWING**  
 FOR BRIDGE ON NC 211 OVER  
 DUTCHMAN CREEK BETWEEN  
 NC 133 (LONG BEACH RD.)  
 AND NC 133 (DOSHER CUTOFF)  
 (WBL)



DOCUMENT NOT CONSIDERED  
 FINAL UNLESS ALL  
 SIGNATURES COMPLETED

REVISIONS						SHEET NO.	
NO.	BY:	DATE:	NO.	BY:	DATE:	S1-3	
1			3			TOTAL SHEETS	
2			4			38	

DRAWN BY: A.P./S.B. WILLIAMS DATE: 5-18  
 CHECKED BY: M.K. BEARD DATE: 5-24-18