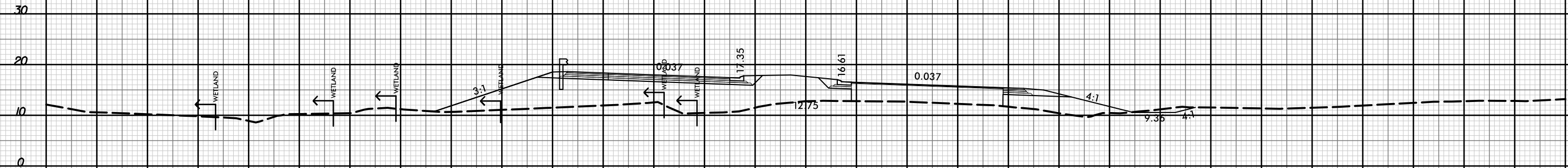


8/23/99

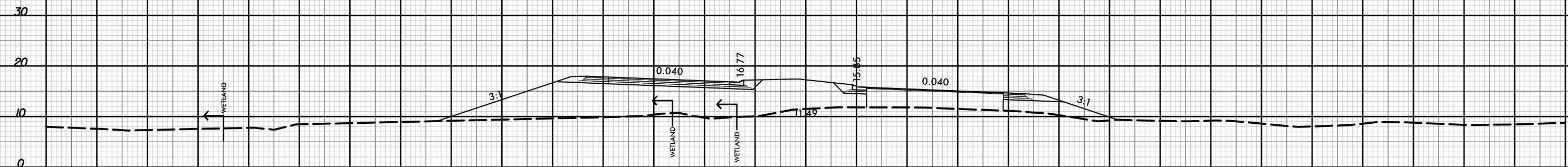


PROJ. REFERENCE NO. R-5021 SHEET NO. X-168

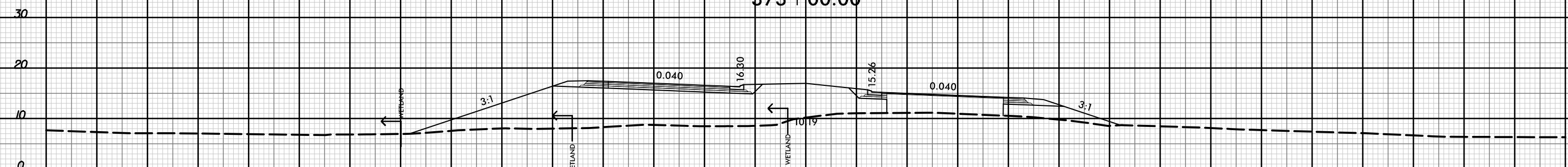
150 140 130 120 110 100 90 80 70 60 50 40 30 20 10 0 10 20 30 40 50 60 70 80 90 100 110 120 130 140 150



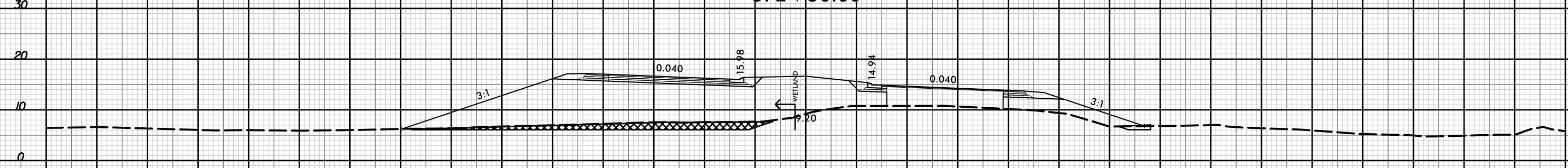
373 + 50.00



373 + 00.00



372 + 50.00



372 + 00.00

UNDERCUT EXCAVATION



150 140 130 120 110 100 90 80 70 60 50 40 30 20 10 0 10 20 30 40 50 60 70 80 90 100 110 120 130 140 150

21-Jul-2021 10:36
R:\pawej\XSCA\5021_rdy_xpl.dgn
HTFB