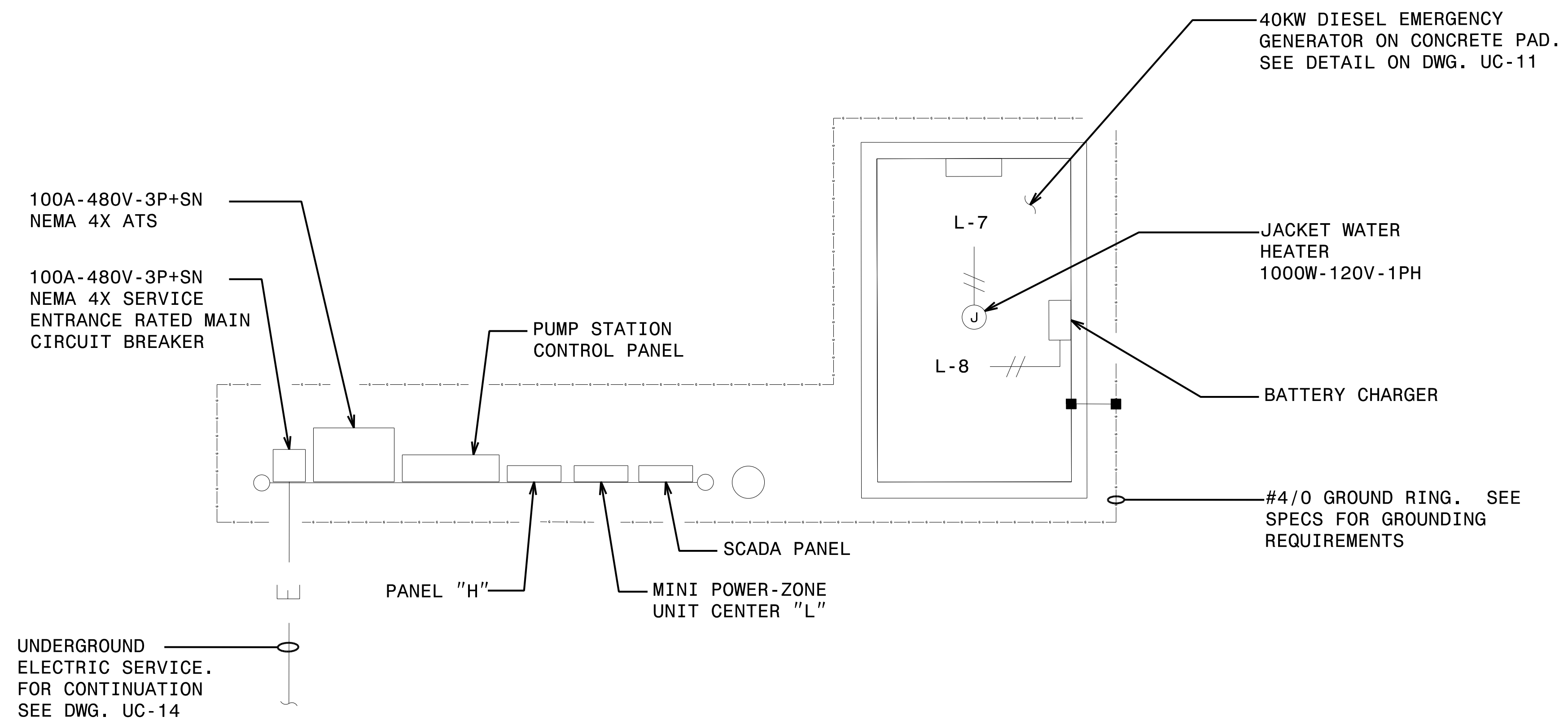


PROJECT REFERENCE NO.	SHEET NO.
R-5021	UC-P16
DESIGNED BY: CMB	
DRAWN BY: CMB	
CHECKED BY: DTB	
APPROVED BY: DTB	
REVISED:	
NORTH CAROLINA DEPARTMENT OF TRANSPORTATION	
UTILITIES ENGINEERING SEC. PHONE: (919) 707-6690 FAX: (919) 250-4151	
UTILITY CONSTRUCTION PLANS ONLY	

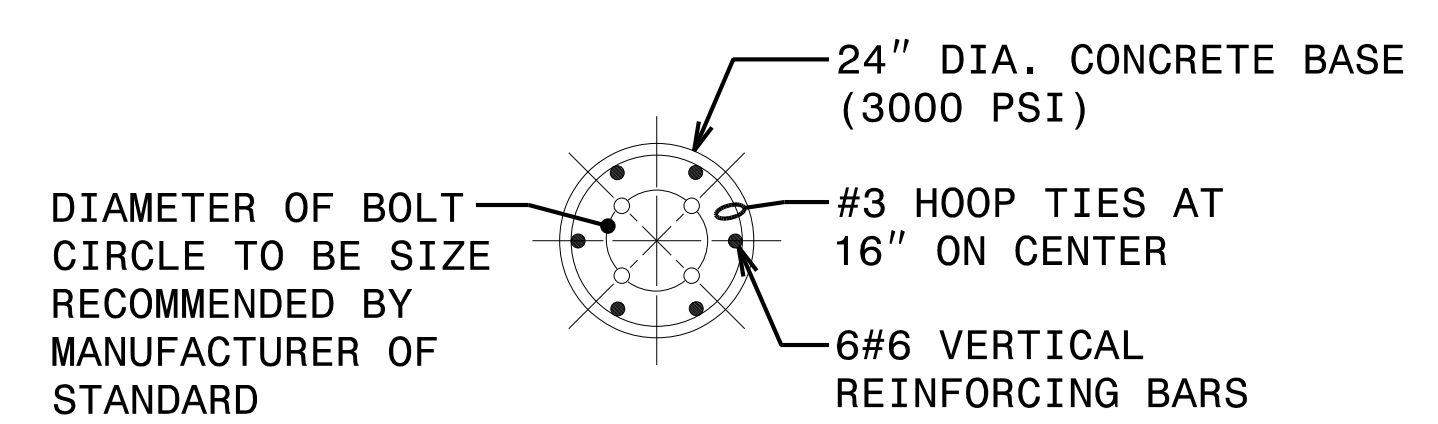
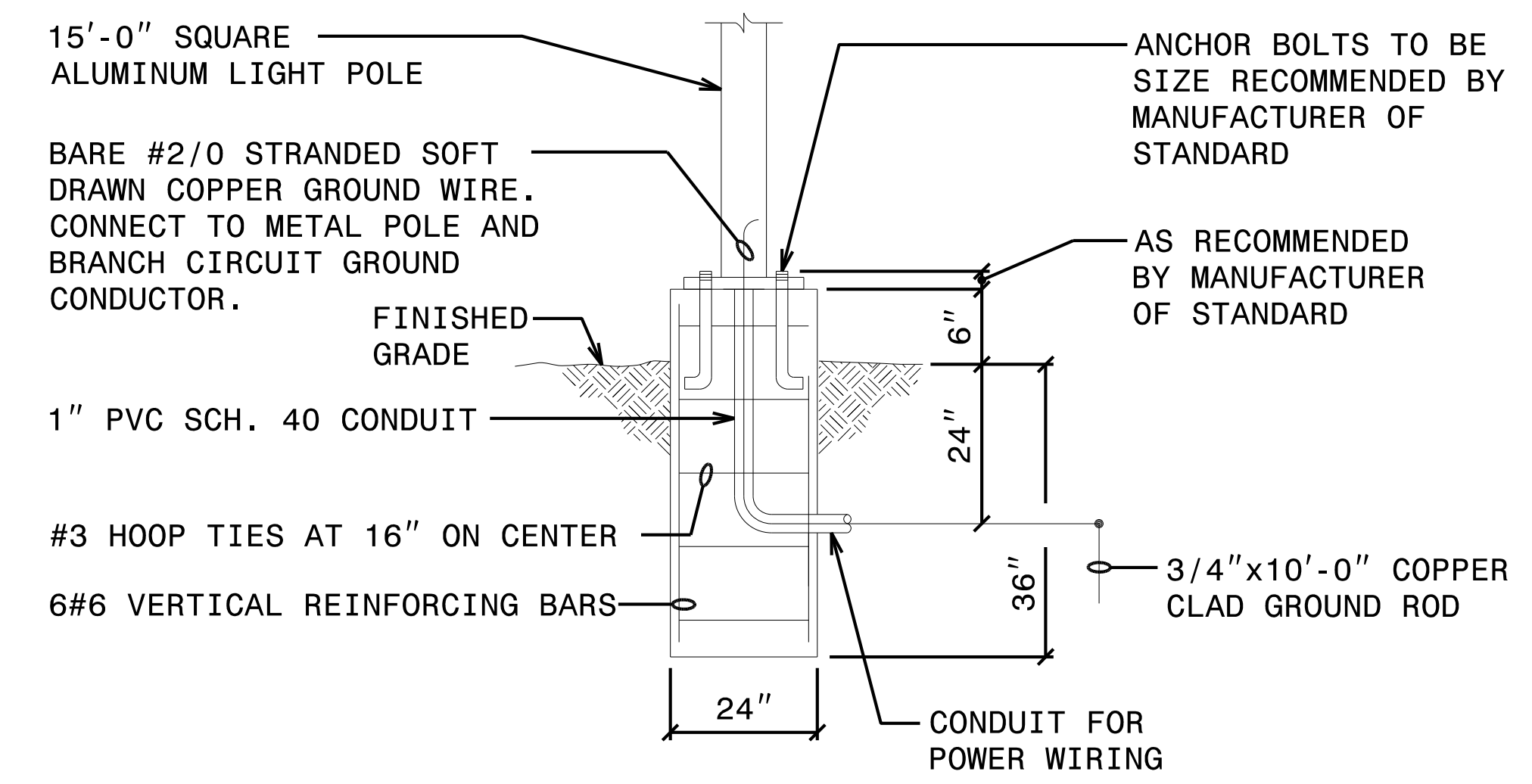
UTILITY CONSTRUCTION

**DOCUMENT NOT CONSIDERED FINAL
UNLESS ALL SIGNATURES COMPLETED**



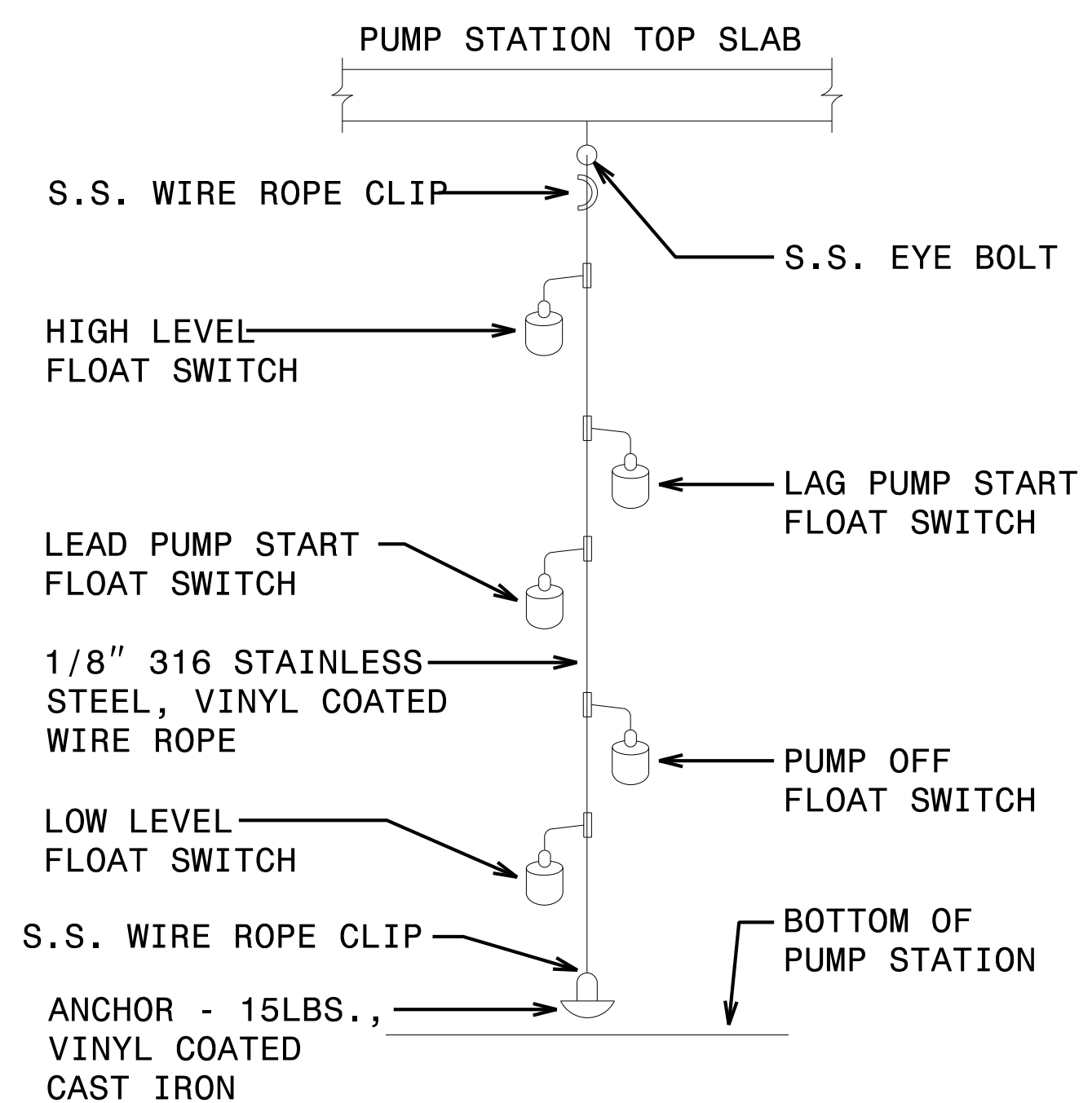
ELECTRICAL EQUIPMENT LAYOUT

NO SCALE



SITE LIGHT FIXTURE AND SCADA ANTENNA POLE INSTALLATION DETAIL

NO SCALE



FLOAT SWITCH MOUNTING DETAIL

NO SCALE

8/9/2021 Utilities\Engineering\UC\Proj\Pump Station\282_031_R-5021_ut_ps_electrical_UCP16_psh.dgn