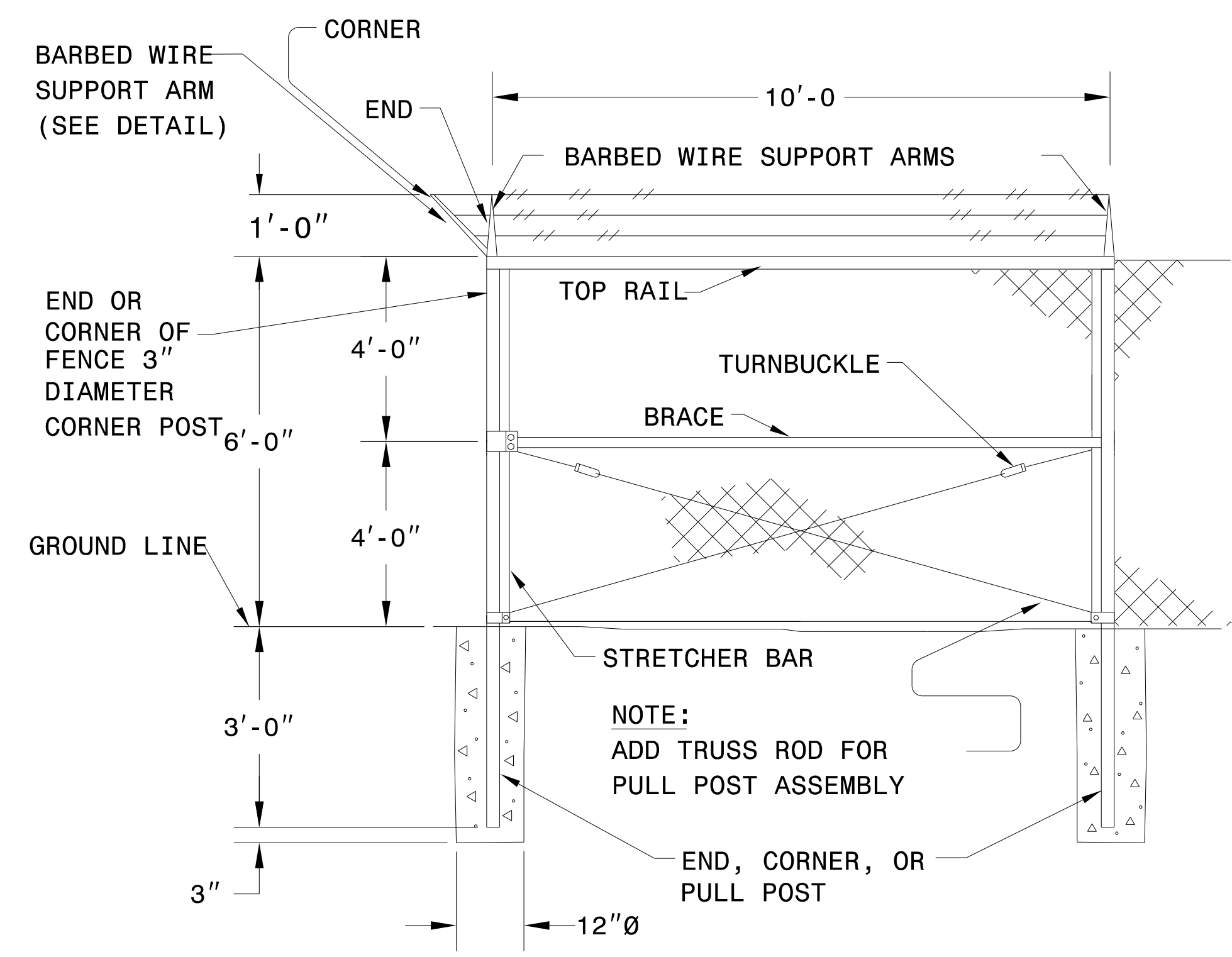
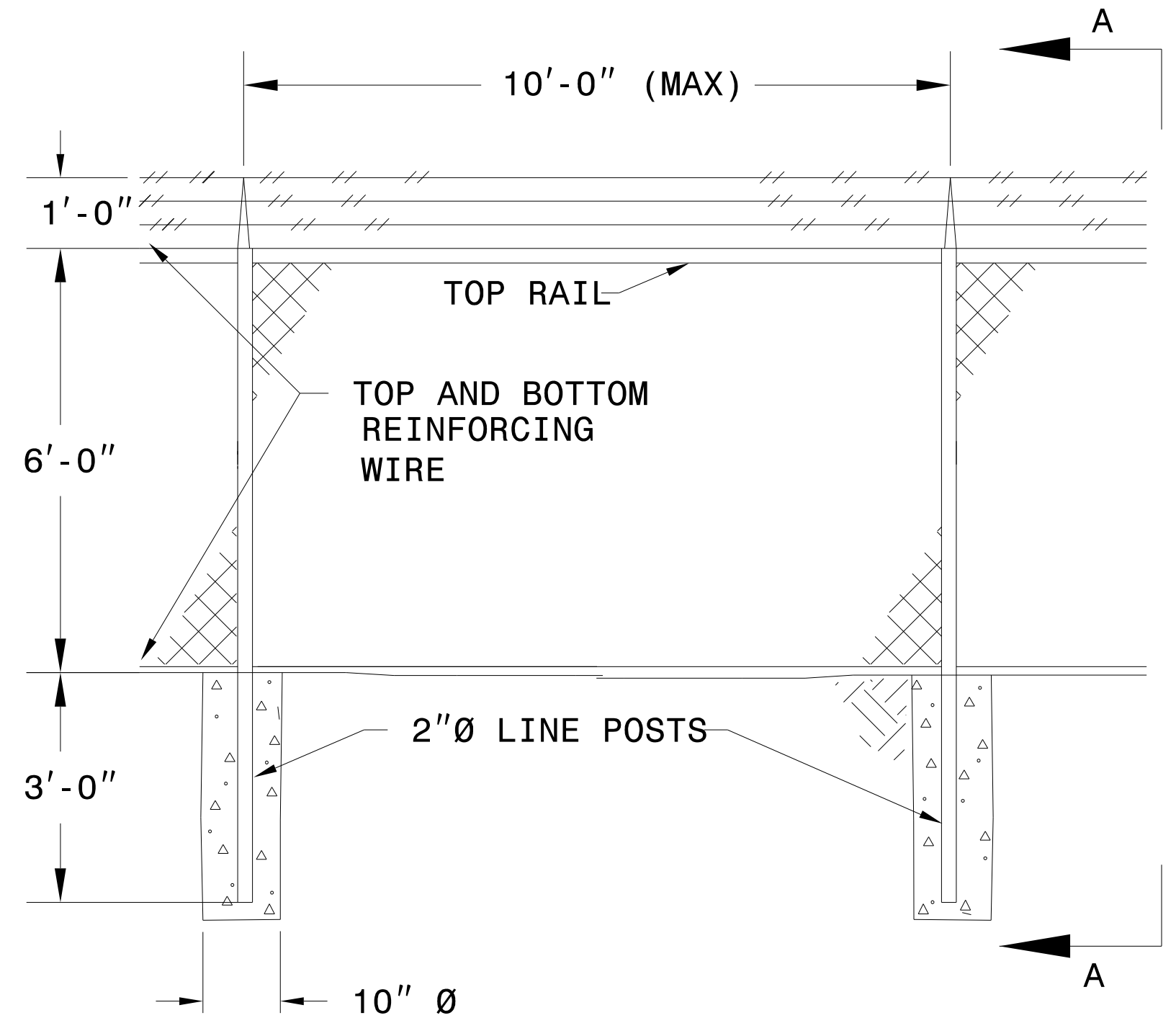


PROJECT REFERENCE NO.	SHEET NO.
R-5021	UC-P12
DESIGNED BY: DWT	
DRAWN BY: RAS	
CHECKED BY: JWC	
APPROVED BY: BMB	
REVISED:	
NORTH CAROLINA DEPARTMENT OF TRANSPORTATION UTILITIES ENGINEERING SEC. PHONE: (919) 707-6690 FAX: (919) 250-4151	
UTILITY CONSTRUCTION PLANS ONLY	

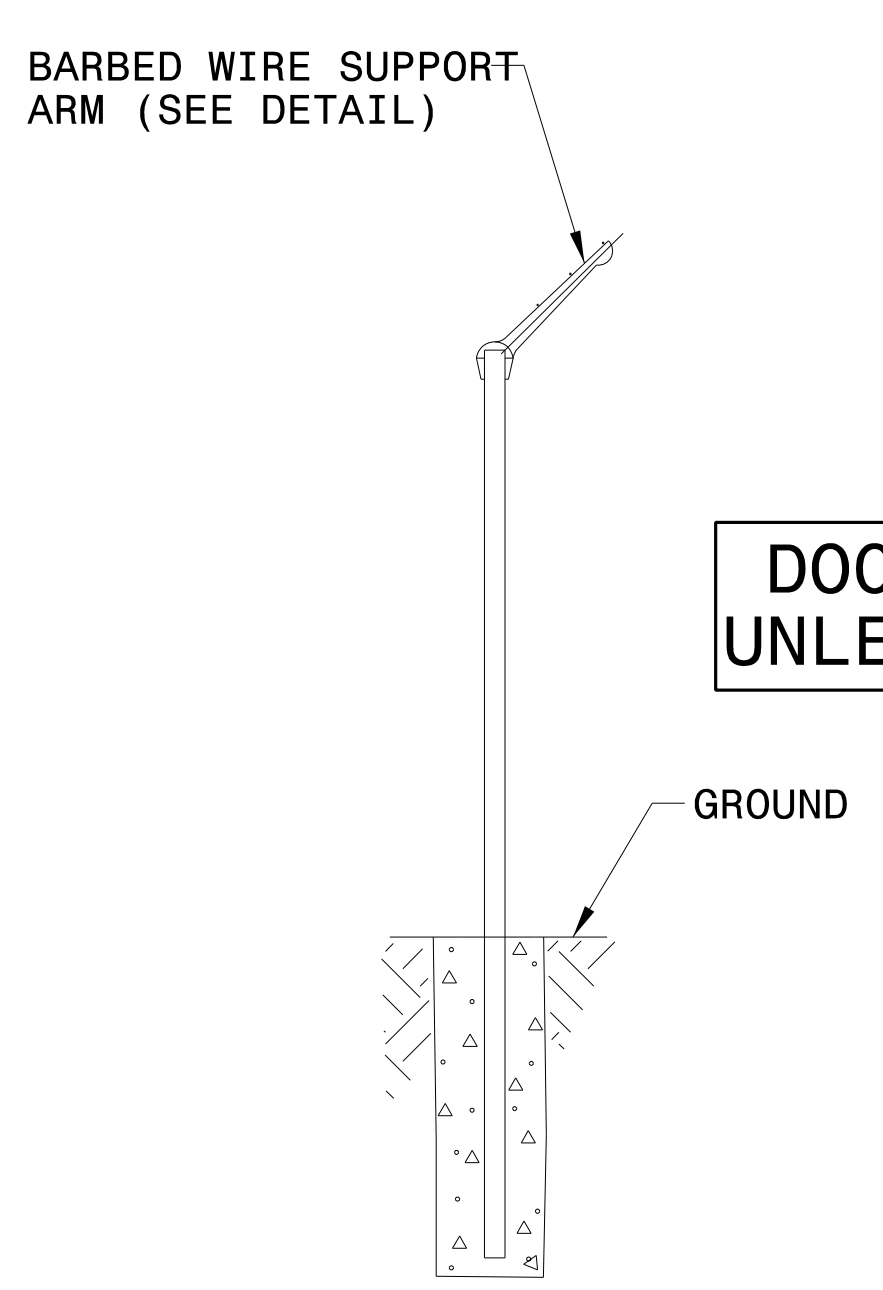
UTILITY CONSTRUCTION
DOCUMENT NOT CONSIDERED FINAL
UNLESS ALL SIGNATURES COMPLETED



CORNER OR END PANEL ASS'Y
NOT TO SCALE

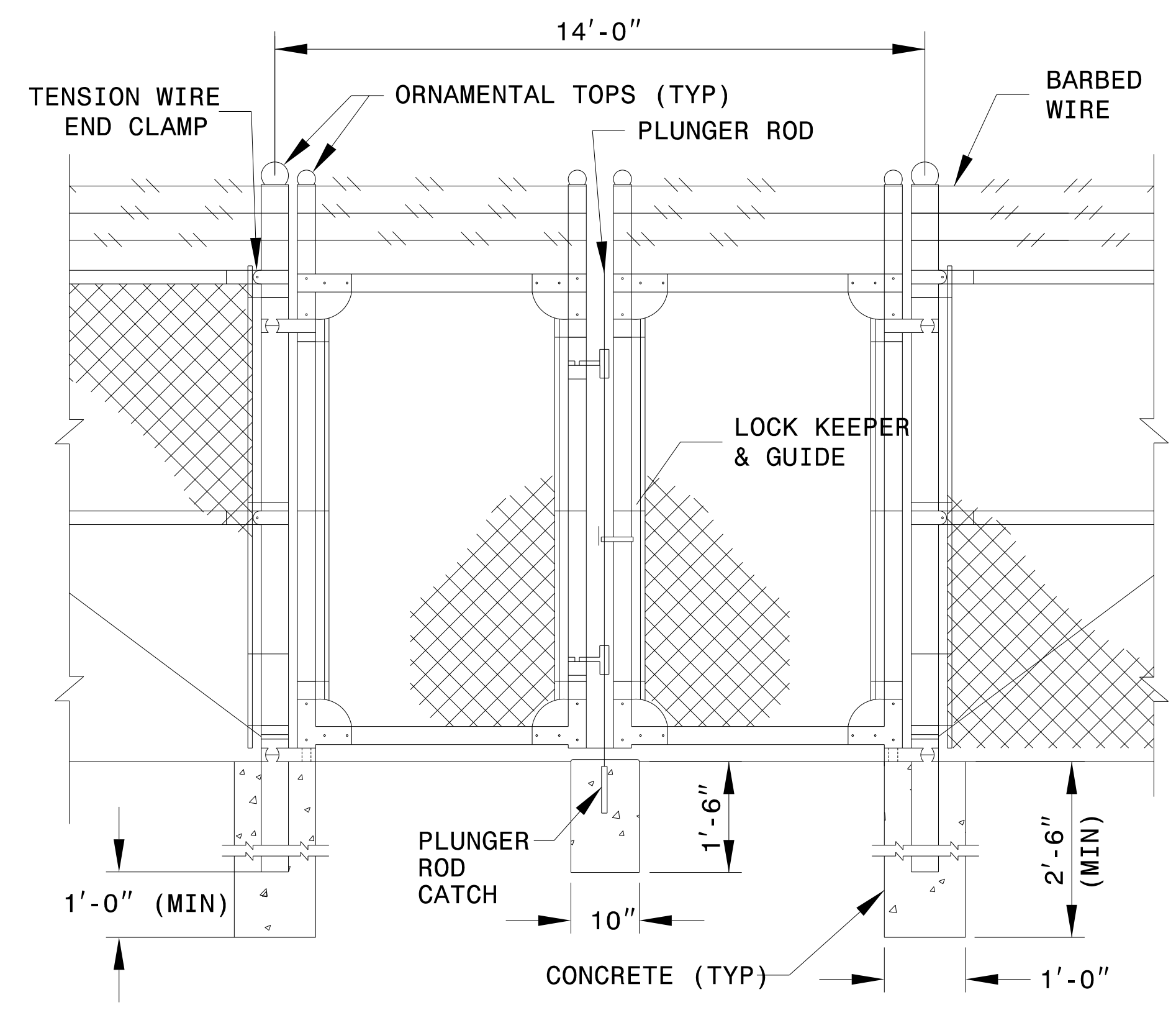


TYPICAL LINE FENCE DETAIL
NOT TO SCALE



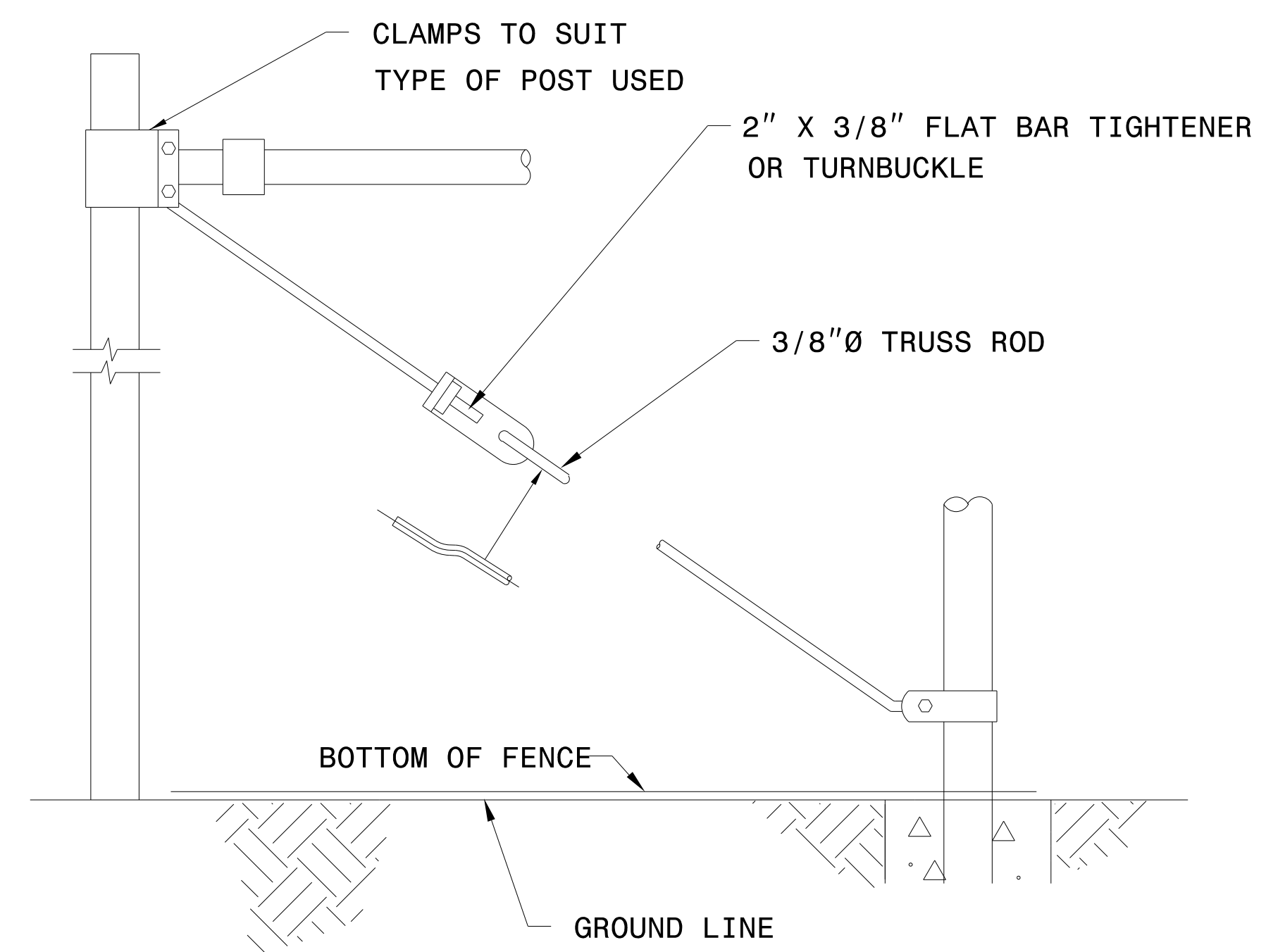
SECTION A-A

NOTE: TOP RAIL SHALL BE INSTALLED AT ALL LOCATIONS ON FENCE IN ACCORDANCE WITH SECTION 02820, PART 3.01B OF THE PROJECT SPECIFICATIONS.

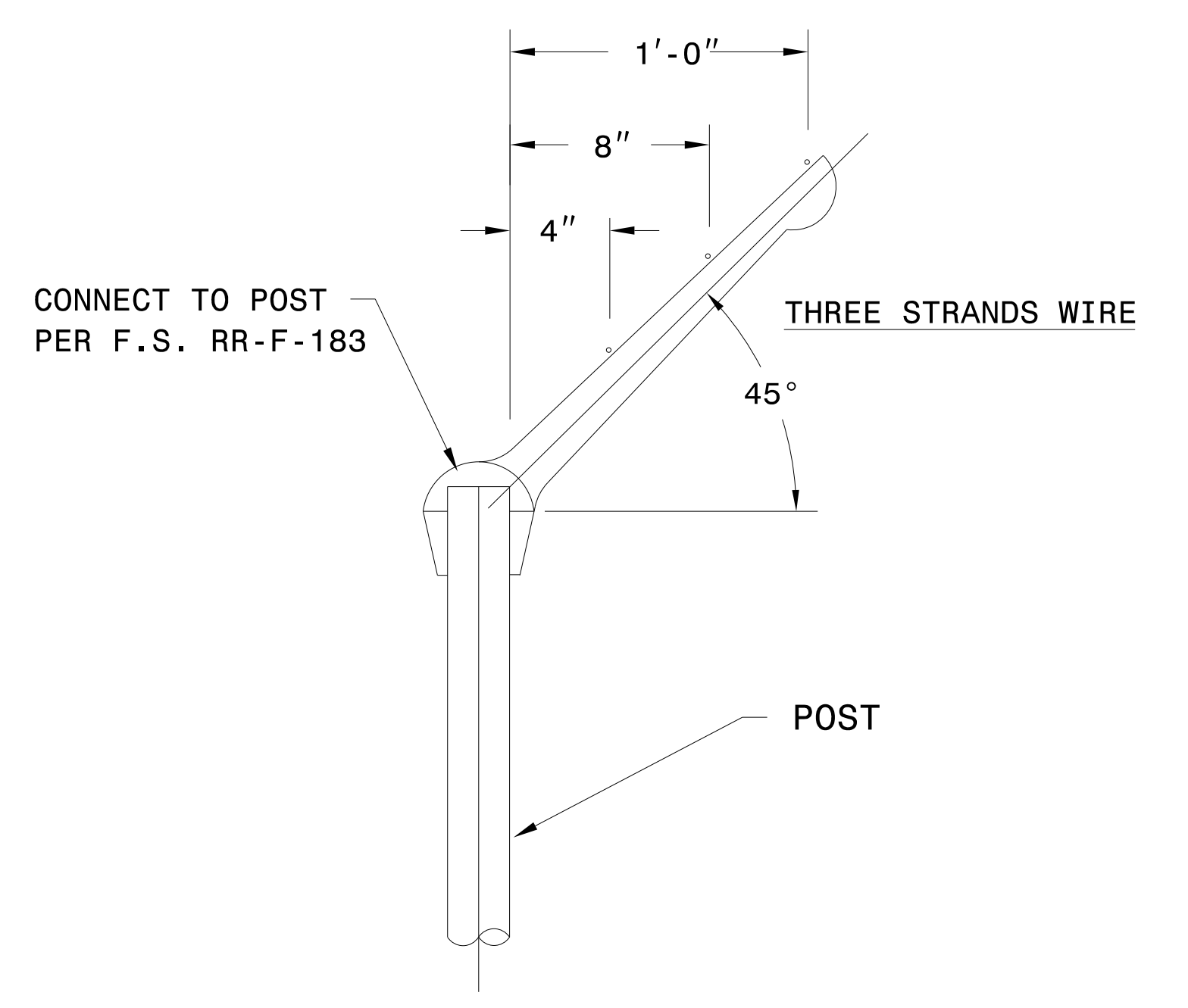


DOUBLE SWING CHAIN-LINK GATE DETAIL
NOT TO SCALE

NOTE: THE FENCING SHALL BE #9 GAGE FENCE FABRIC, STANDARD 2" CHAIN LINK DIAMOND MESH.



TRUSS ROD TIES TYPICAL DETAIL
NOT TO SCALE



BARBED WIRE SUPPORT ARM AND POST CAP
NOT TO SCALE