

DOCUMENT NOT CONSIDERED FINAL
UNLESS ALL SIGNATURES COMPLETED

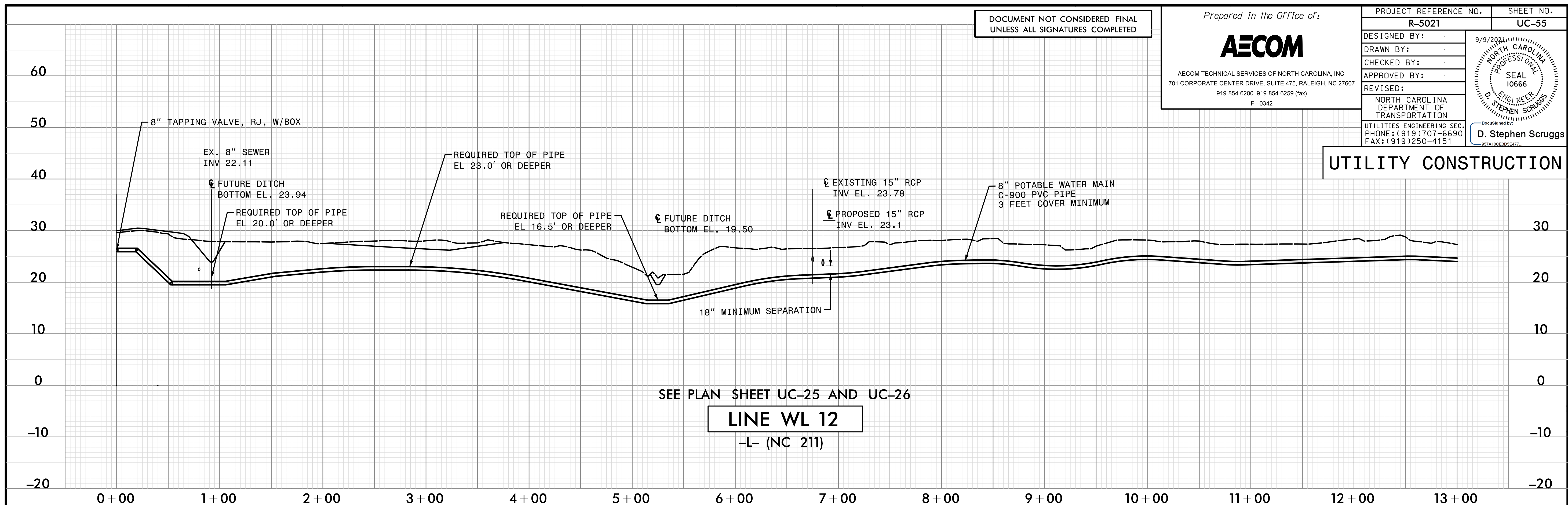
Prepared In the Office of:



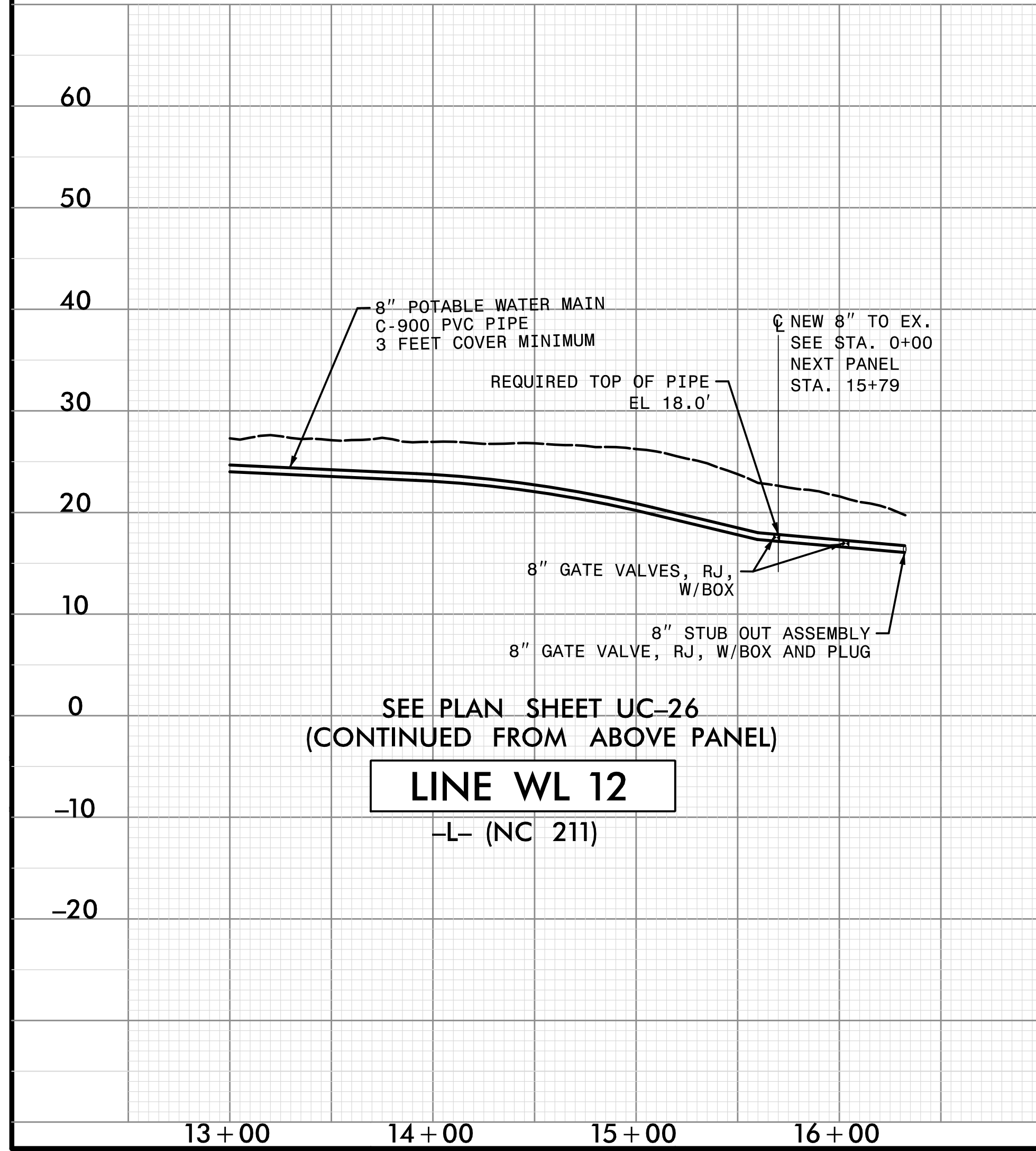
AECOM TECHNICAL SERVICES OF NORTH CAROLINA, INC.
701 CORPORATE CENTER DRIVE, SUITE 475, RALEIGH, NC 27607
919-854-6200 919-854-6259 (fax)
F-0342

PROJECT REFERENCE NO. R-5021	SHEET NO. UC-55
DESIGNED BY:	
DRAWN BY:	
CHECKED BY:	
APPROVED BY:	
REVISED:	
NORTH CAROLINA DEPARTMENT OF TRANSPORTATION UTILITIES ENGINEERING SEC. PHONE: (919) 707-6690 FAX: (919) 250-4151	
DocuSigned by: D. Stephen Scruggs <small>957A10CE3D5E477</small>	

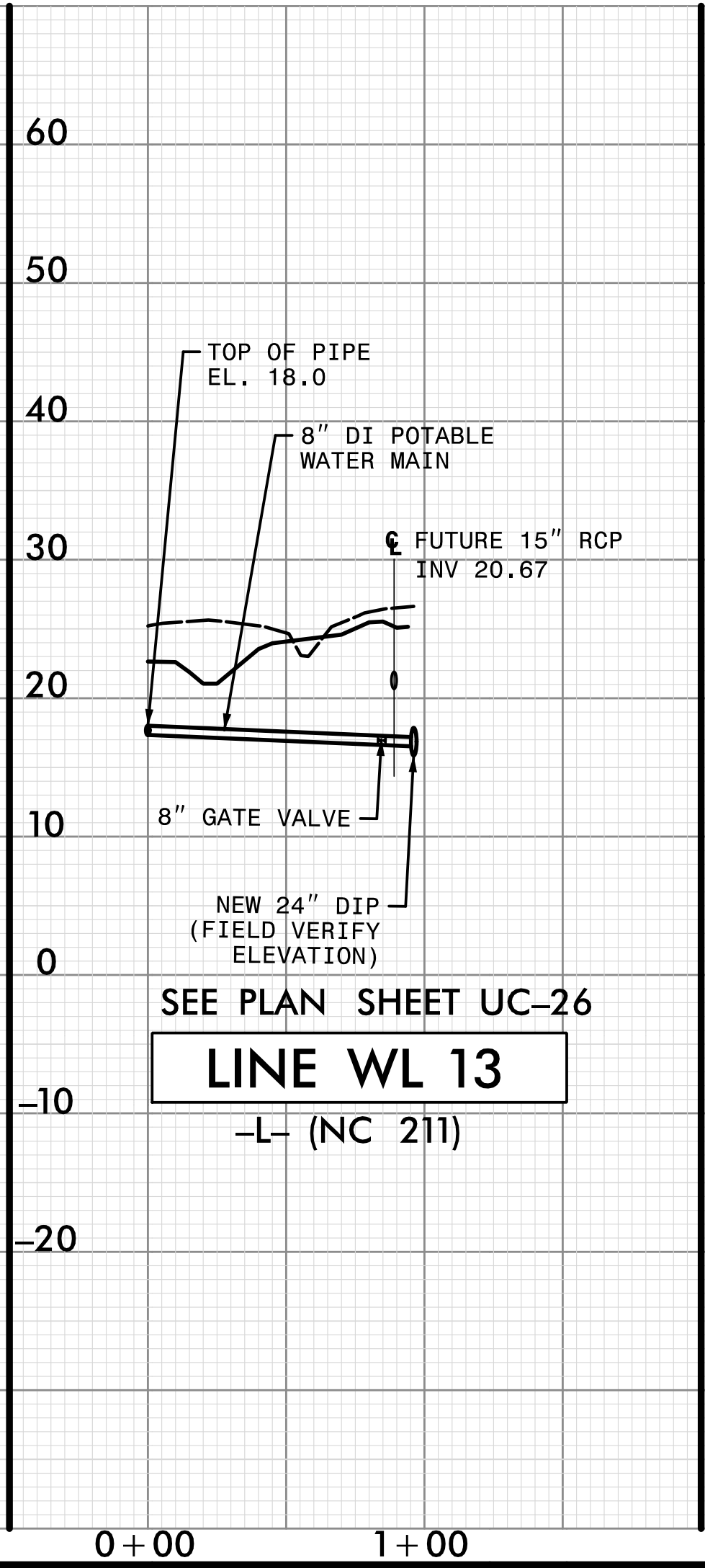
UTILITY CONSTRUCTION



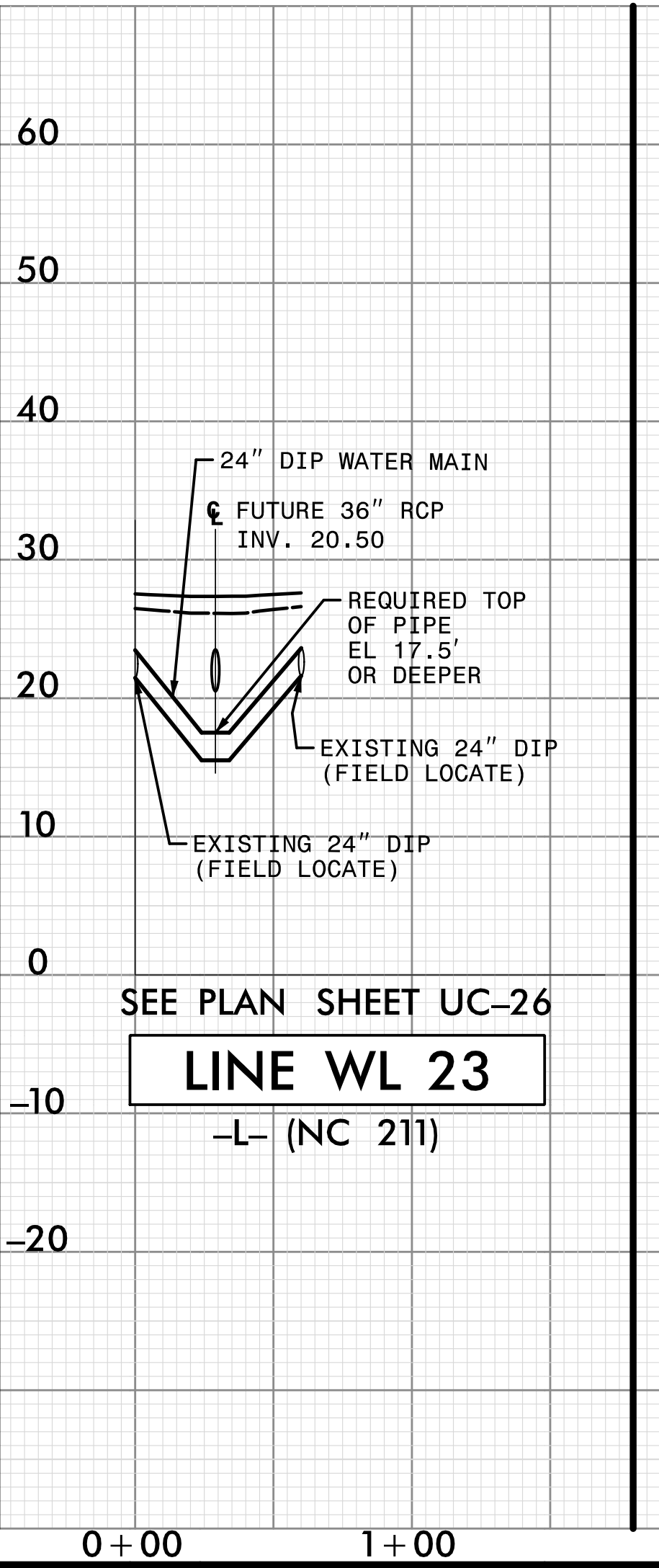
SEE PLAN SHEET UC-25 AND UC-26
LINE WL 12
 -L- (NC 211)



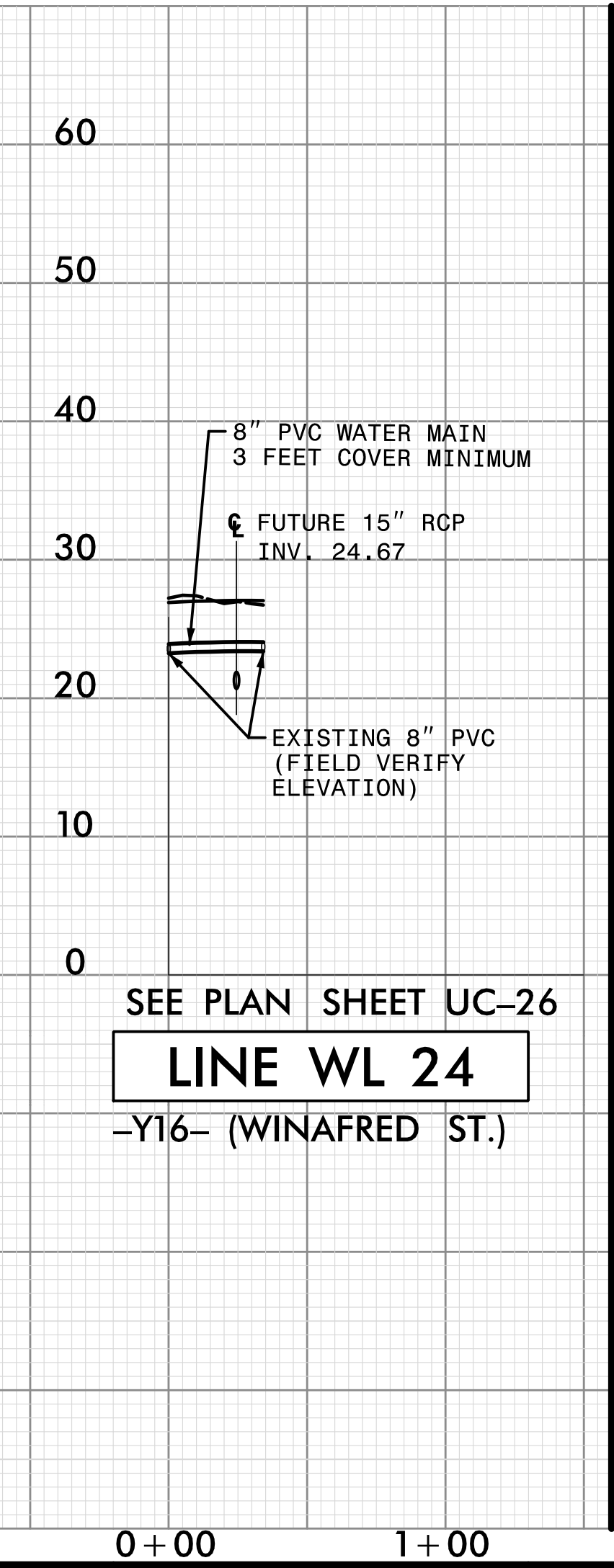
SEE PLAN SHEET UC-26
 (CONTINUED FROM ABOVE PANEL)
LINE WL 12
 -L- (NC 211)



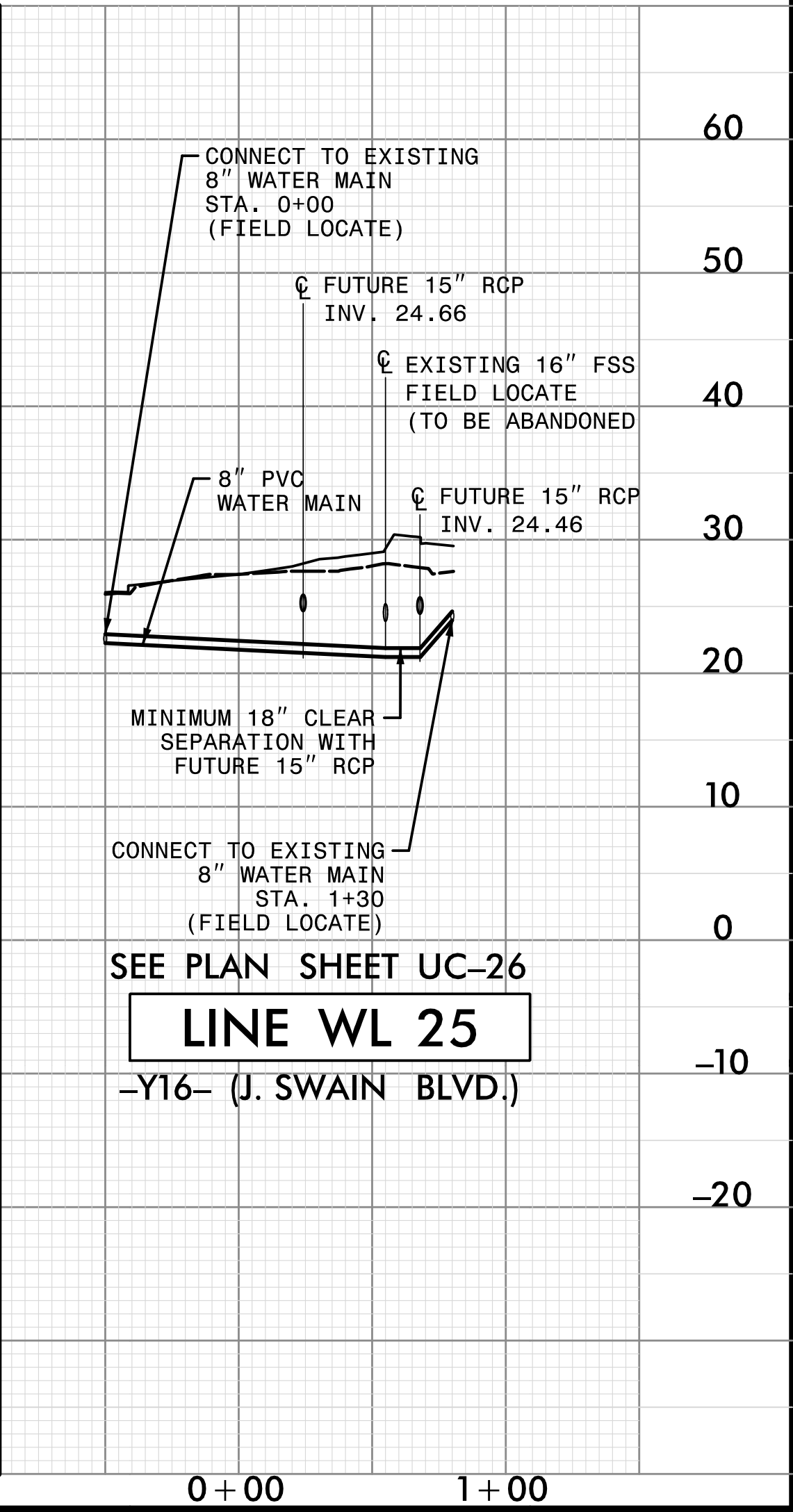
SEE PLAN SHEET UC-26
LINE WL 13
 -L- (NC 211)



SEE PLAN SHEET UC-26
LINE WL 23
 -L- (NC 211)



SEE PLAN SHEET UC-26
LINE WL 24
 -Y16- (WINAFRED ST.)



SEE PLAN SHEET UC-26
LINE WL 25
 -Y16- (J. SWAIN BLVD.)