

DOCUMENT NOT CONSIDERED FINAL
UNLESS ALL SIGNATURES COMPLETED

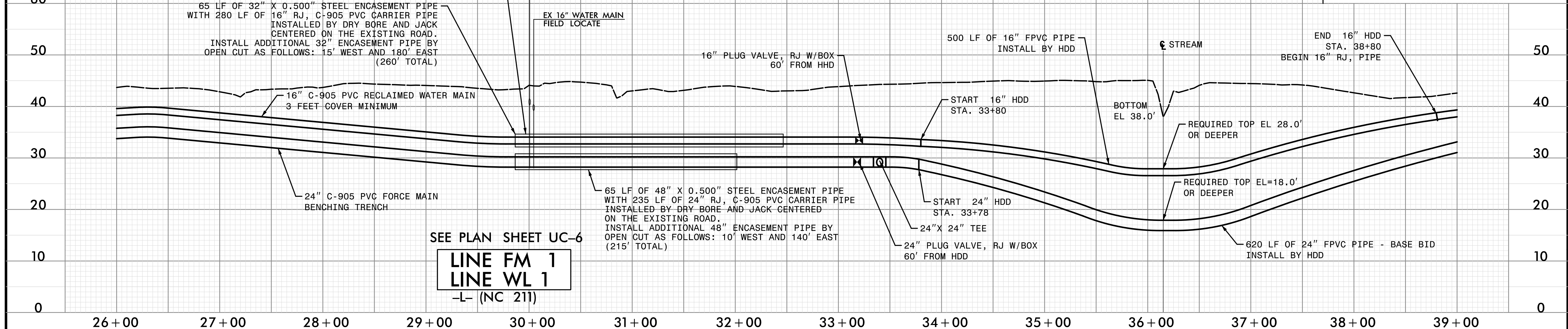
Prepared in the Office of:



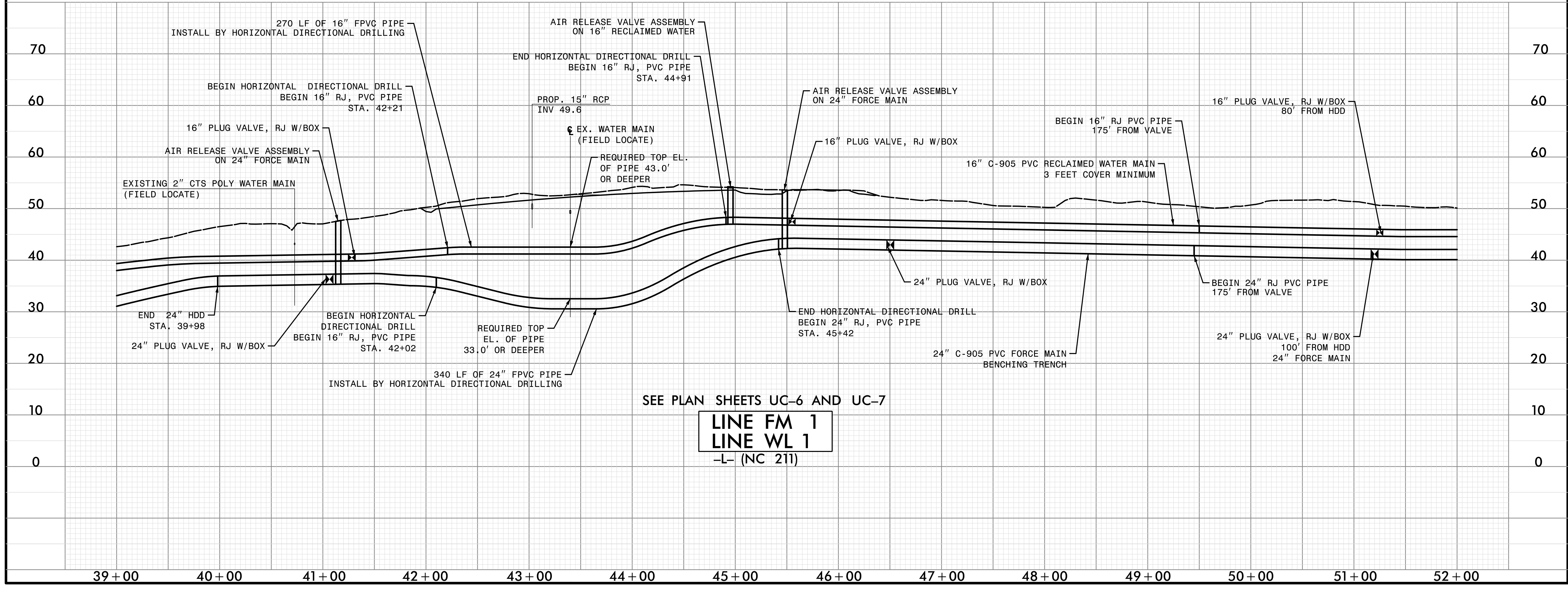
AECOM TECHNICAL SERVICES OF NORTH CAROLINA, INC.
701 CORPORATE CENTER DRIVE, SUITE 475, RALEIGH, NC 27607
919-854-6200 919-854-6259 (fax)
F-0342

PROJECT REFERENCE NO. R-5021	SHEET NO. UC-39
DESIGNED BY:	
DRAWN BY:	
CHECKED BY:	
APPROVED BY:	
REVISED:	
NORTH CAROLINA DEPARTMENT OF TRANSPORTATION	
UTILITIES ENGINEERING SEC. PHONE: (919) 707-6690 FAX: (919) 250-4151	
D. Stephen Scruggs	

UTILITY CONSTRUCTION



SEE PLAN SHEET UC-6
LINE FM 1
LINE WL 1
-L- (NC 211)



SEE PLAN SHEETS UC-6 AND UC-7
LINE FM 1
LINE WL 1
-L- (NC 211)

DATE: 6/21/2009
TIME: 4:28:23 PM