

Prepared In the Office of:

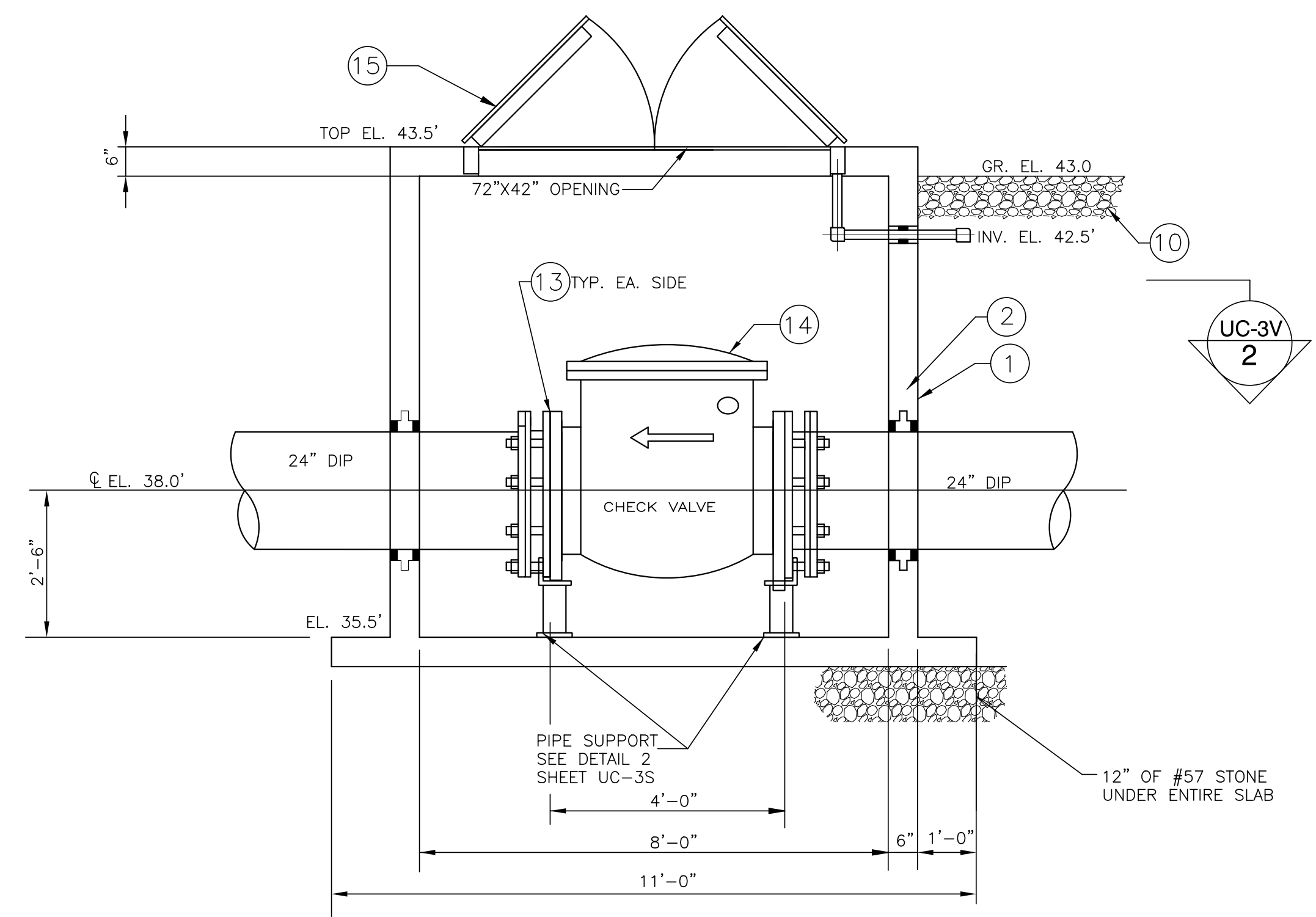


AECOM TECHNICAL SERVICES OF NORTH CAROLINA, INC.
701 CORPORATE CENTER DRIVE, SUITE 475, RALEIGH, NC 27607
919-854-6200 919-854-6259 (fax)
F - 0342

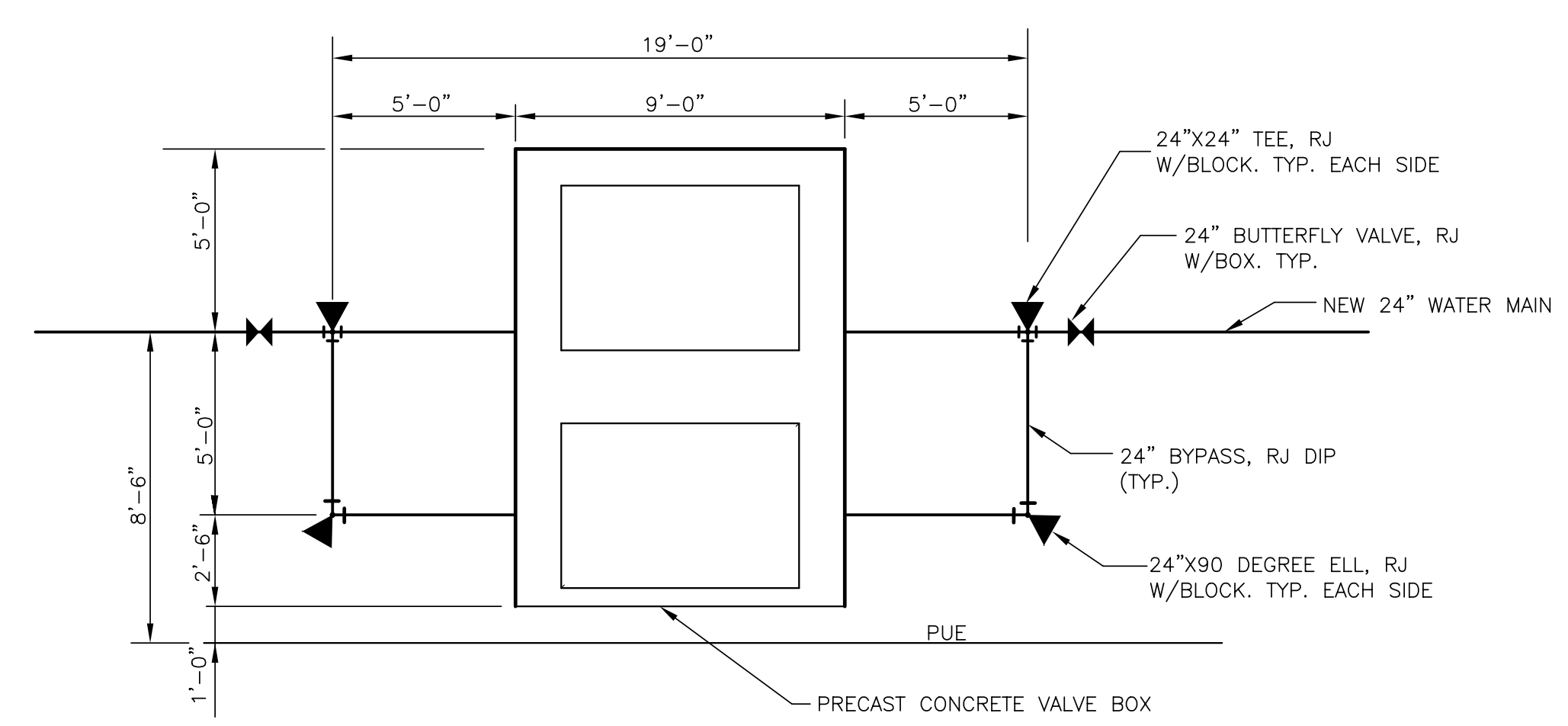
DOCUMENT NOT CONSIDERED FINAL
UNLESS ALL SIGNATURES COMPLETED

PROJECT REFERENCE NO.	SHEET NO.
R-5021	UC-3U
DESIGNED BY:	
DRAWN BY:	
CHECKED BY:	
APPROVED BY:	
REVISED:	
NORTH CAROLINA DEPARTMENT OF TRANSPORTATION UTILITIES ENGINEERING SEC. PHONE: (919) 707-6690 FAX: (919) 250-4151	

UTILITY CONSTRUCTION

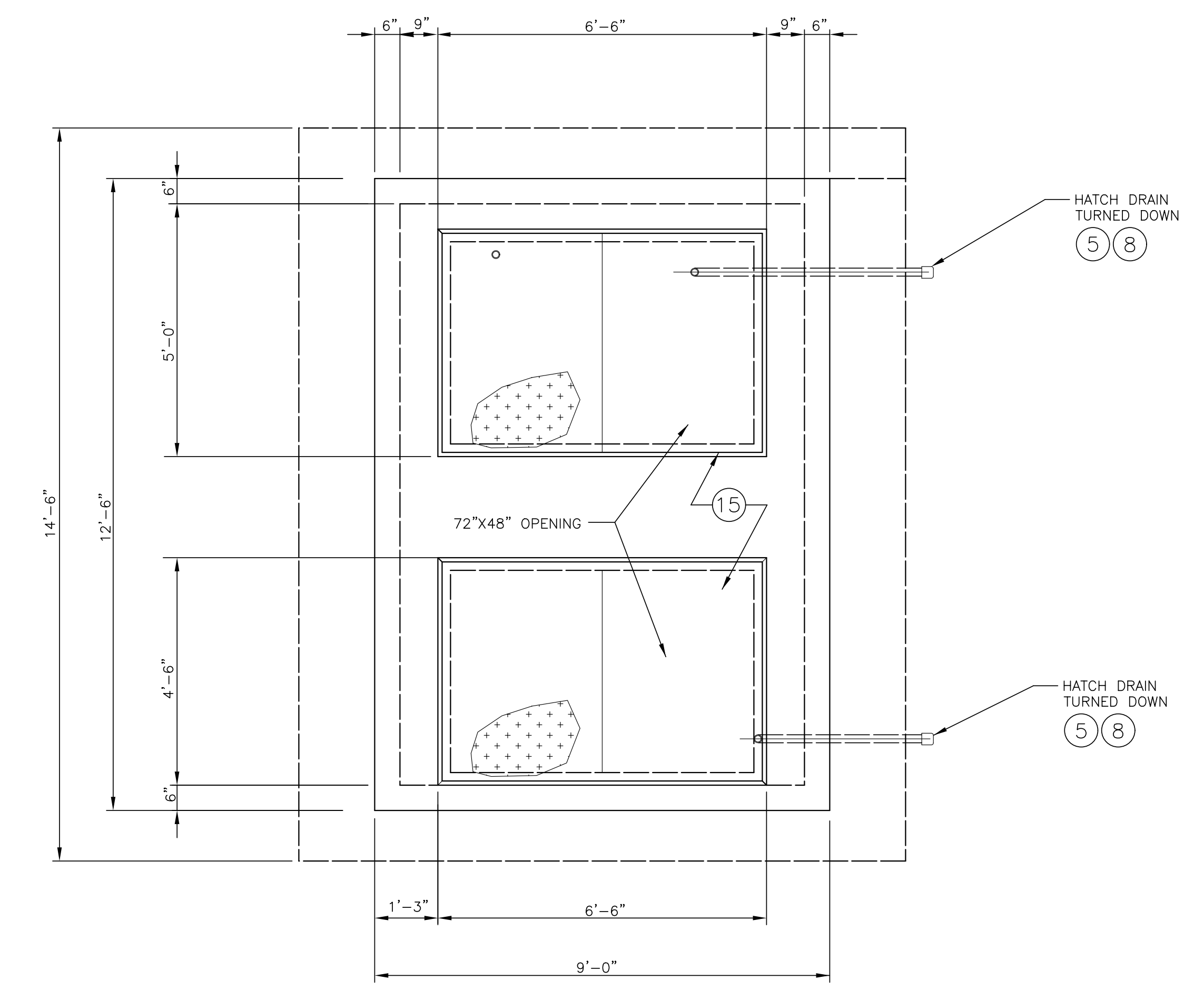


SECTION VALVE VAULT
1/2" = 1'-0" 1



SITE PLAN PRESSURE SUSTAINING AND CHECK VALVE VAULT
1/4" = 1'-0" 3

NOTE:
ENTIRE VAULT INCLUDING ALL EQUIPMENT, VALVES, AND INTERIOR PIPING, SHALL BE BID AS A LUMP SUM ITEM.



PLAN AT TOP VALVE VAULT
1/2" = 1'-0" 2

NOTES:
1. FOR EQUIPMENT LEGEND, SEE SHEET UC-3V

DATE: 8/13/2021
TIME: 10:46:01 PM
DGN: P:\60482503\900_Works\916_Jiminy_Construction\NF-5021_UC_UC3U.dgn