

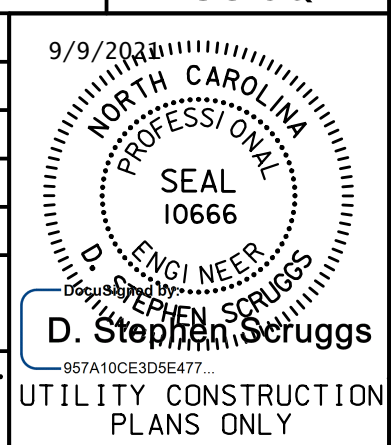
Prepared In the Office of:



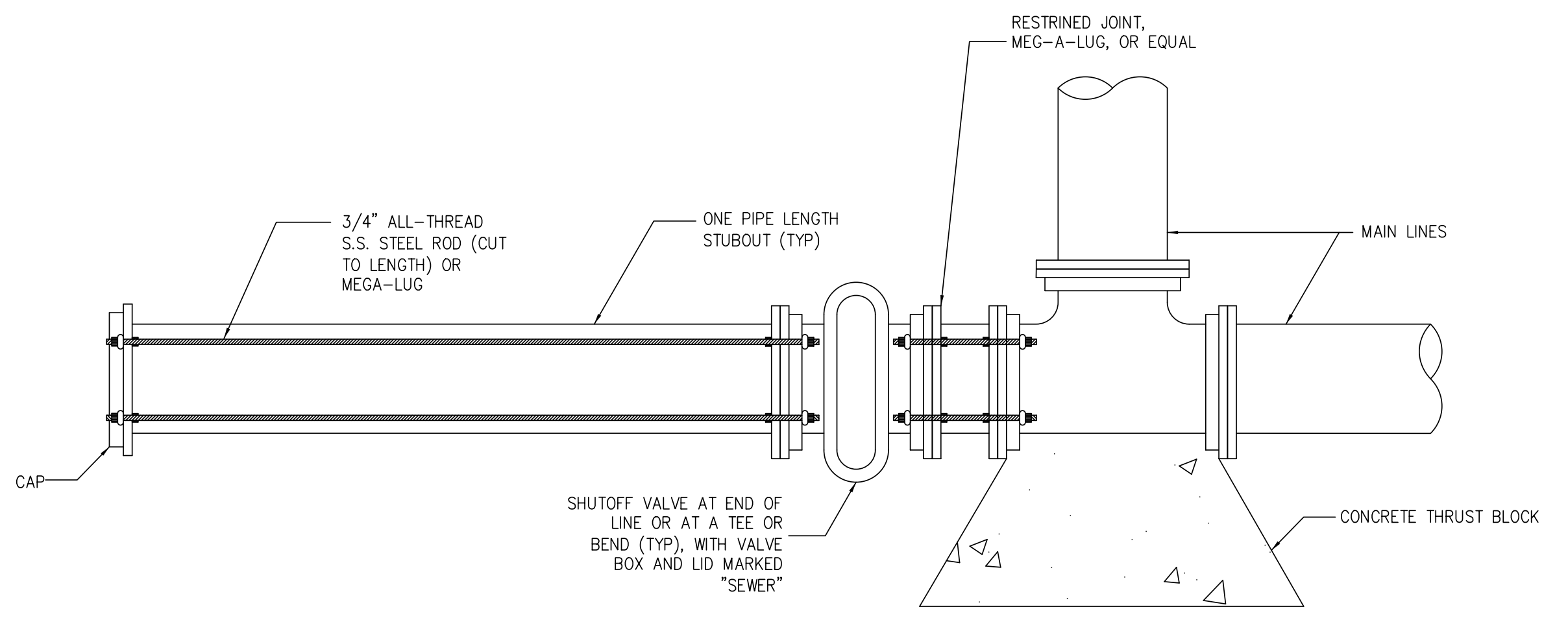
AECOM TECHNICAL SERVICES OF NORTH CAROLINA, INC.
701 CORPORATE CENTER DRIVE, SUITE 475, RALEIGH, NC 27607
919-854-6200 919-854-6259 (fax)
F - 0342

DOCUMENT NOT CONSIDERED FINAL
UNLESS ALL SIGNATURES COMPLETED

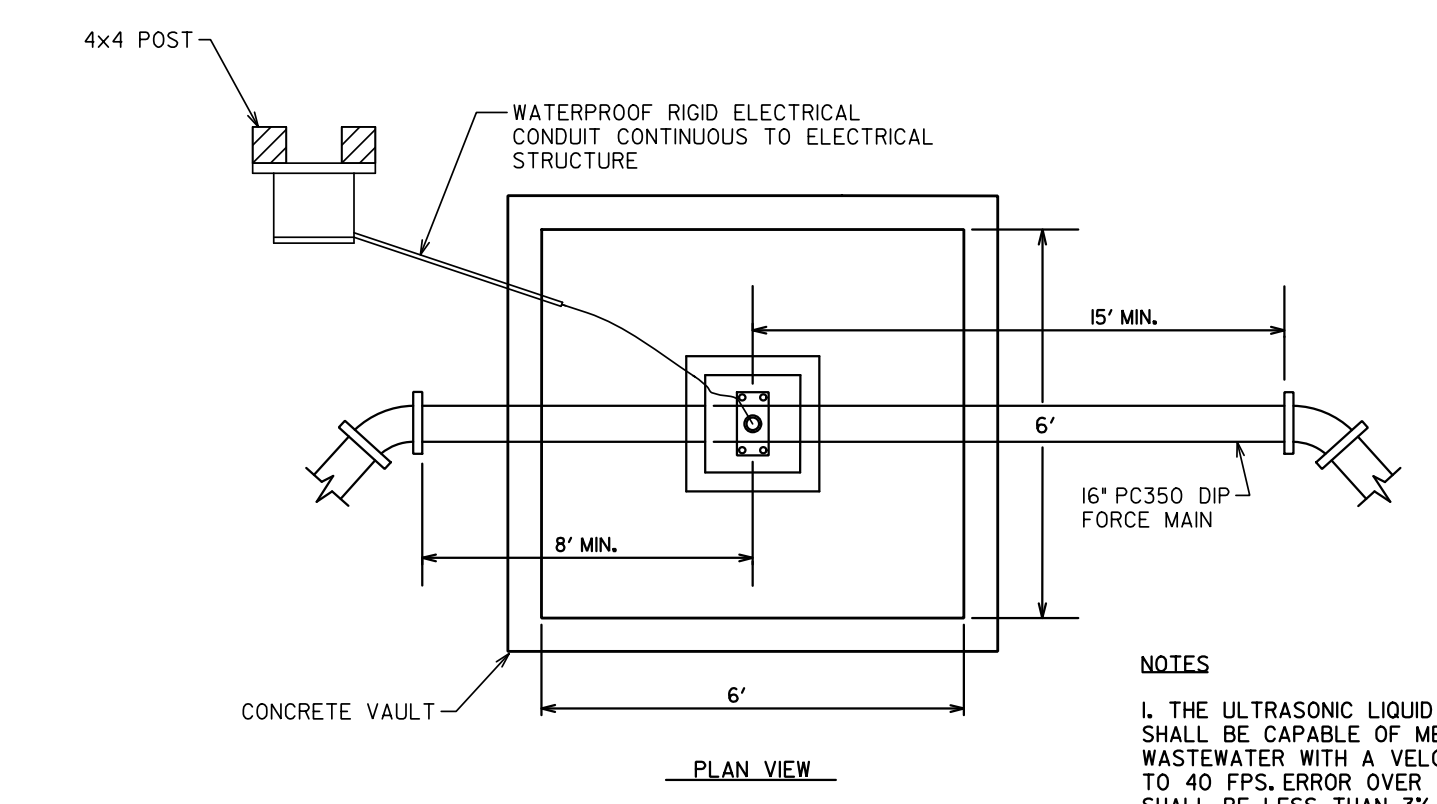
PROJECT REFERENCE NO. R-5021	SHEET NO. UC-3Q
DESIGNED BY:	9/9/2013
DRAWN BY:	
CHECKED BY:	
APPROVED BY:	
REVISED:	
NORTH CAROLINA DEPARTMENT OF TRANSPORTATION	
UTILITIES ENGINEERING SEC. PHONE: (919) 707-6690 FAX: (919) 250-4151	



UTILITY CONSTRUCTION

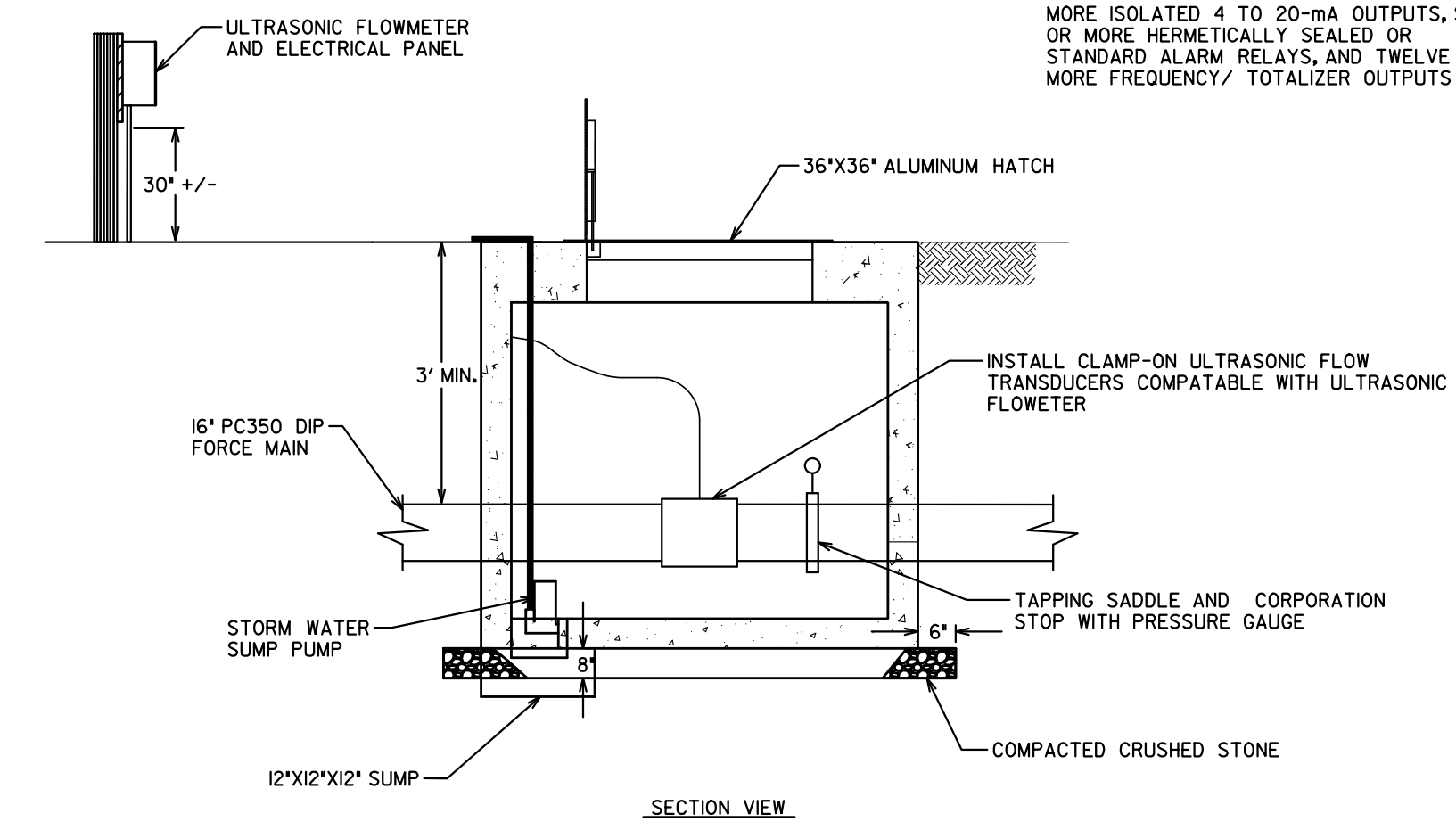


PLAN VIEW
FUTURE FORCE MAIN STUBOUT
DETAIL S-18

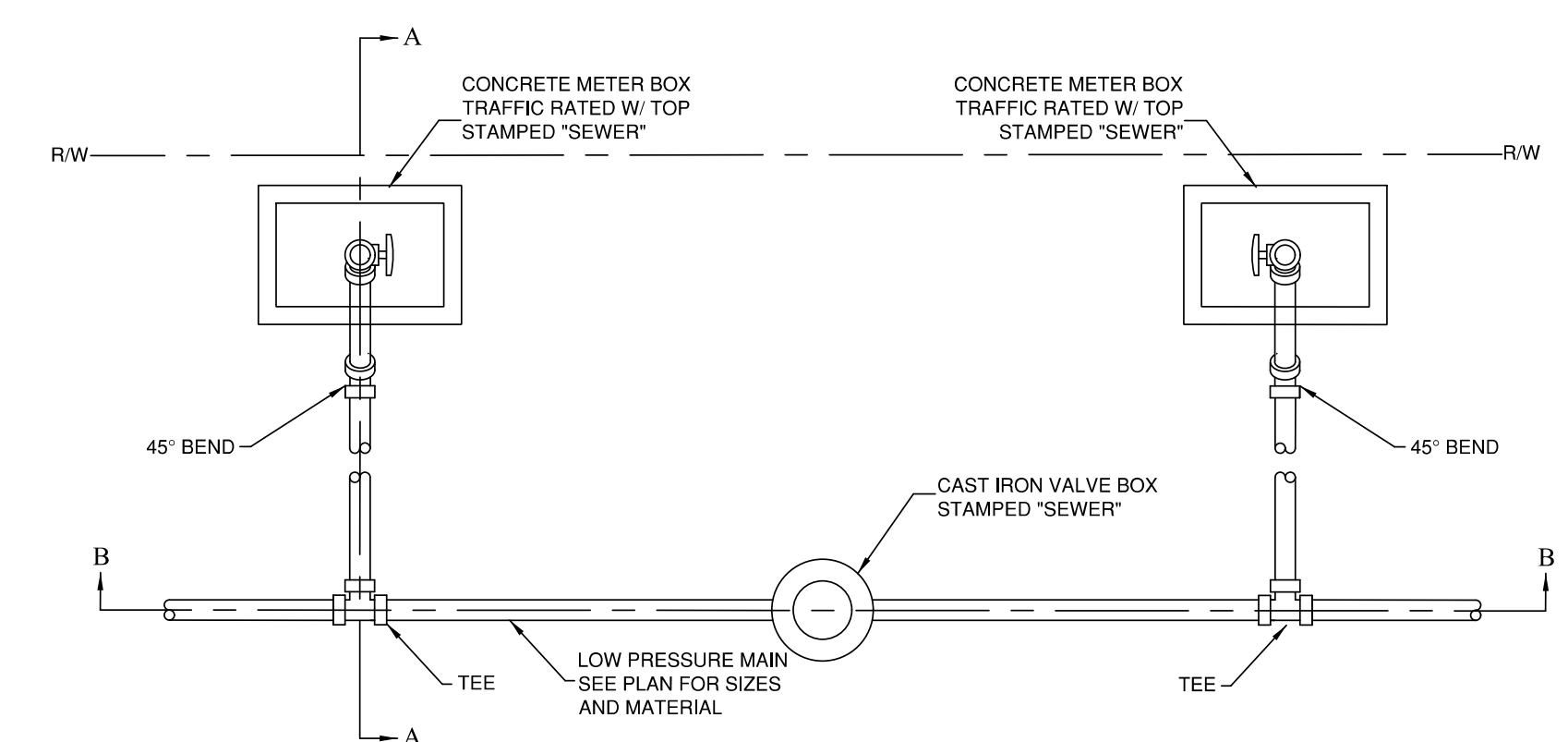


NOTES

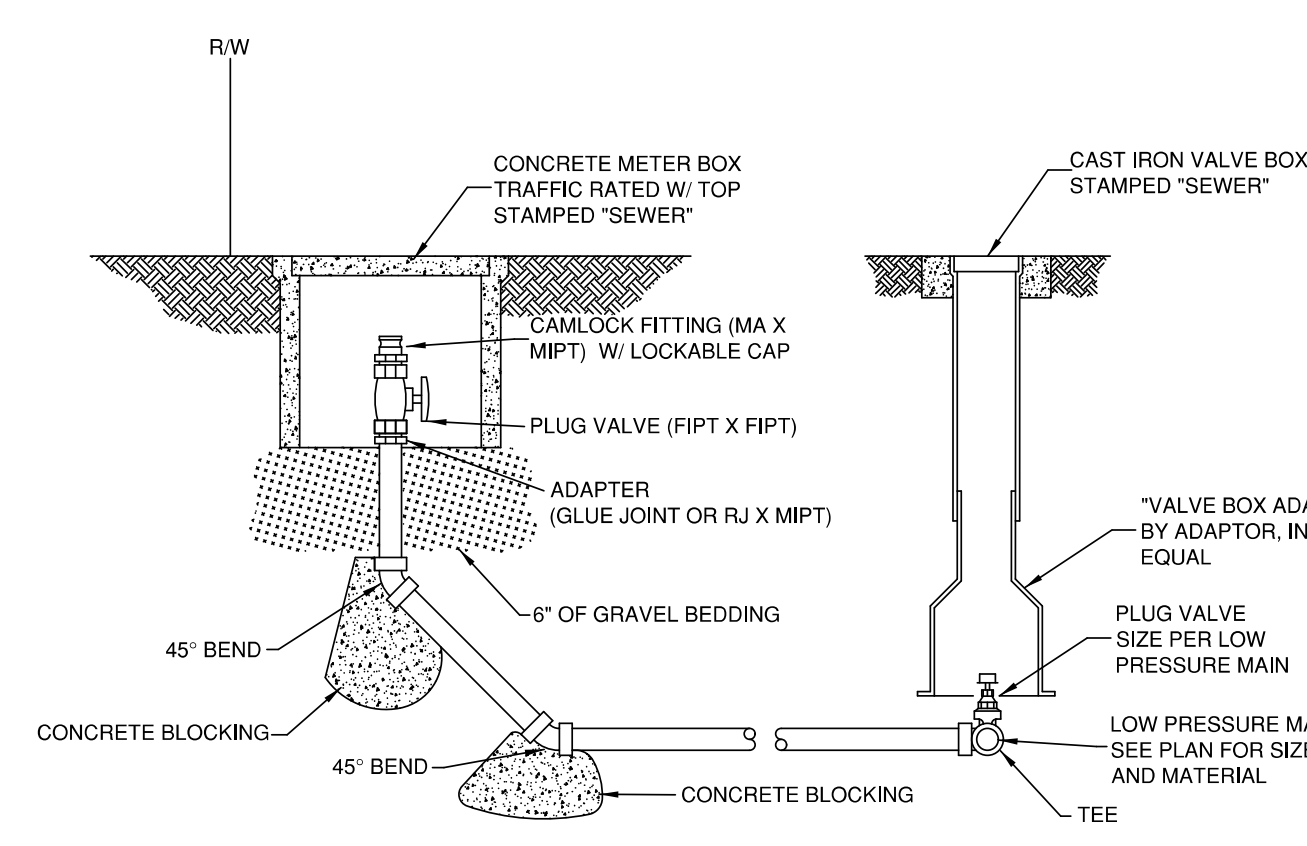
1. THE ULTRASONIC LIQUID FLOWMETER SHALL BE CAPABLE OF MEASURING WASTEWATER WITH A VELOCITY RANGE OF 0.1 TO 40 FPS. ERROR OVER THIS FLOW RANGE SHALL BE LESS THAN 3% THE FLOWMETER SHALL BE SINGLE OR DUAL CHANNEL WITH USER-PROGRAMMABLE GRAPHIC LCD'S. THE CAPABILITY SHALL EXIST TO ADD TWELVE OR MORE ISOLATED 4 TO 20-mA OUTPUTS, SIX OR MORE HERMETICALLY SEALED OR STANDARD ALARM RELAYS, AND TWELVE OR MORE FREQUENCY/ TOTALIZER OUTPUTS



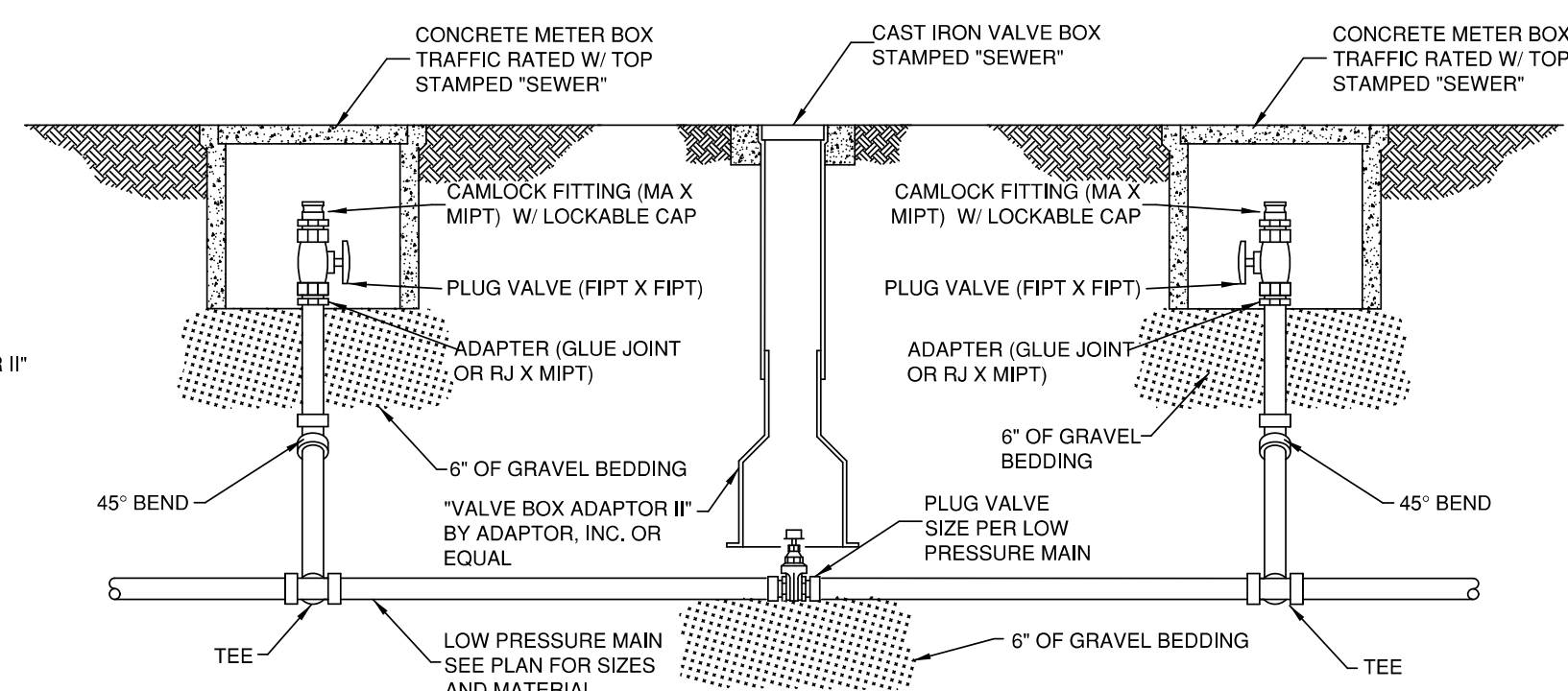
SECTION VIEW
FLOW METER VAULT DETAIL



PLAN VIEW
IN-LINE PRESSURE SEWER CLEANOUT

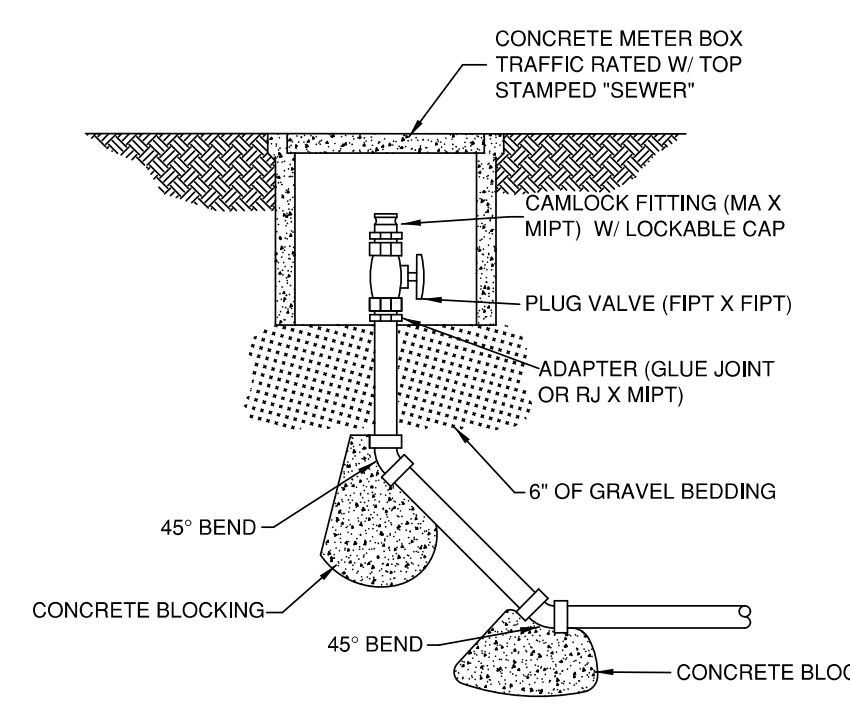


SECTION VIEW A-A
IN-LINE PRESSURE SEWER CLEANOUT



SECTION VIEW B-B
IN-LINE PRESSURE SEWER CLEANOUT

LOW PRESSURE SEWER CLEANOUT
DETAIL S-19



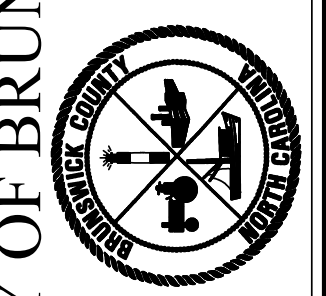
SECTION VIEW
END OF LINE PRESSURE SEWER CLEANOUT

- NOTE:
- GASKETED OR GLUE JOINT PIPE PER APPROVED PLANS.
 - RESTRAINED JOINTS SHALL BE INSTALLED ON GASKETED PIPE PER BRUNSWICK COUNTY TECHNICAL SPECIFICATIONS.
 - THRUST BLOCKING IS MANDATORY.

Revisions

1.1 - DATED 4/30/2013
Modified S-18
1.2 - DATED 3/10/2017
Revised S-19

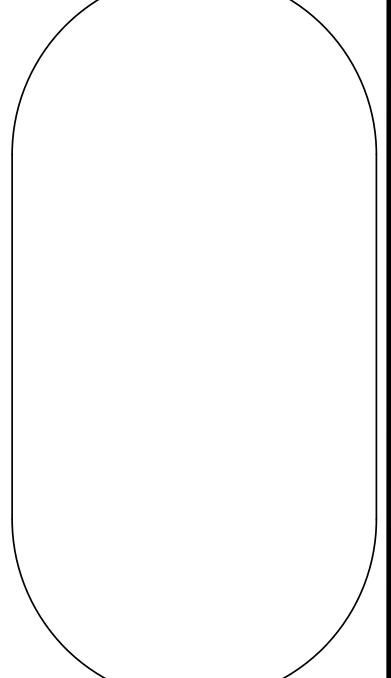
COUNTY OF BRUNSWICK



GENERAL SEWER DETAILS
FOR

BRUNSWICK COUNTY
NORTH CAROLINA

Date: 1-9-12
Scale: NTS
Drawn By: JTP, MGB
Checked By:



DATE: 8/13/2013
TIME: 10:40:44 AM
DGN: P:\04048203\000\Work\915\Utility Construction\NF-5021_UC_UC3Q.dgn