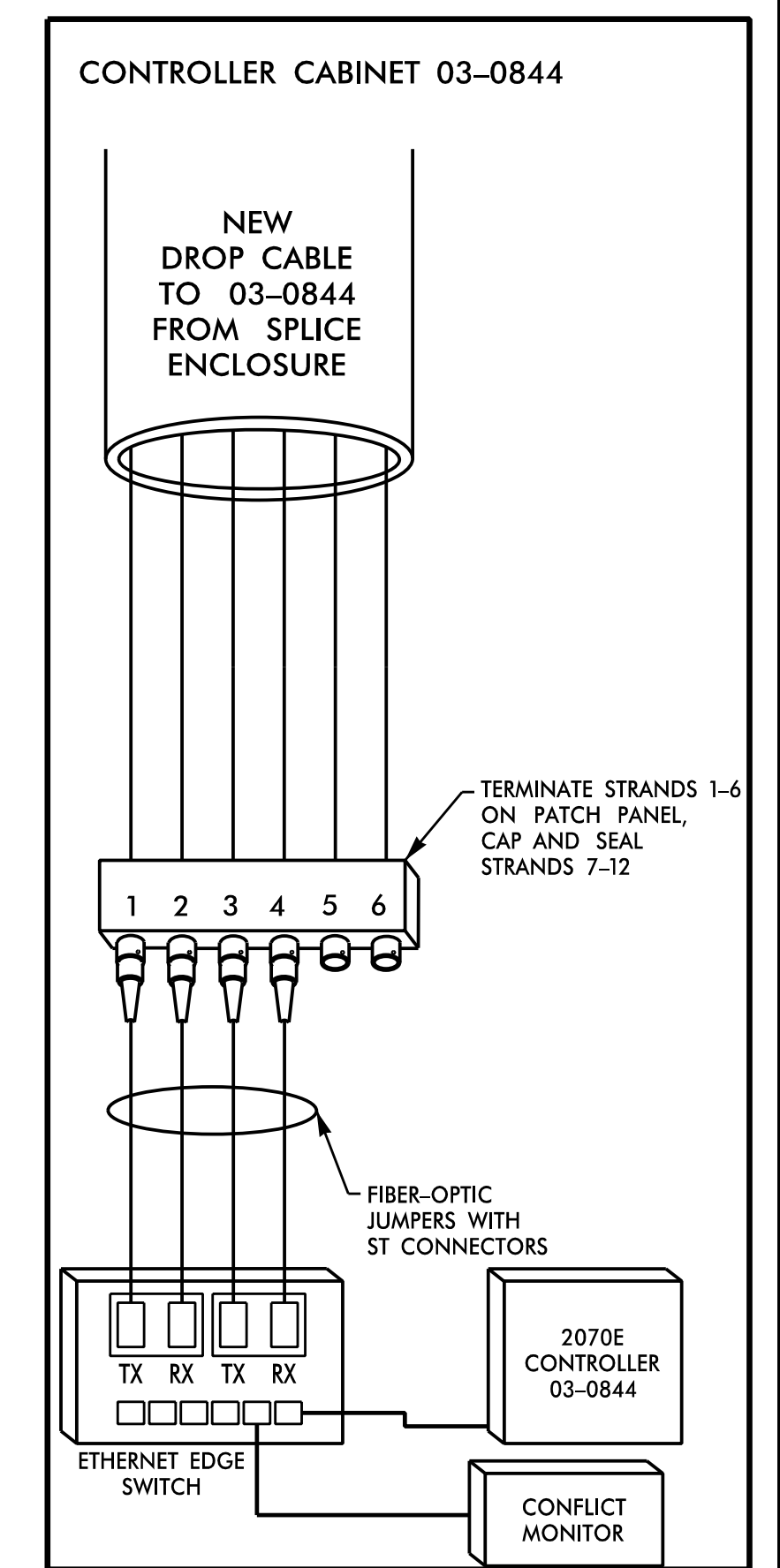
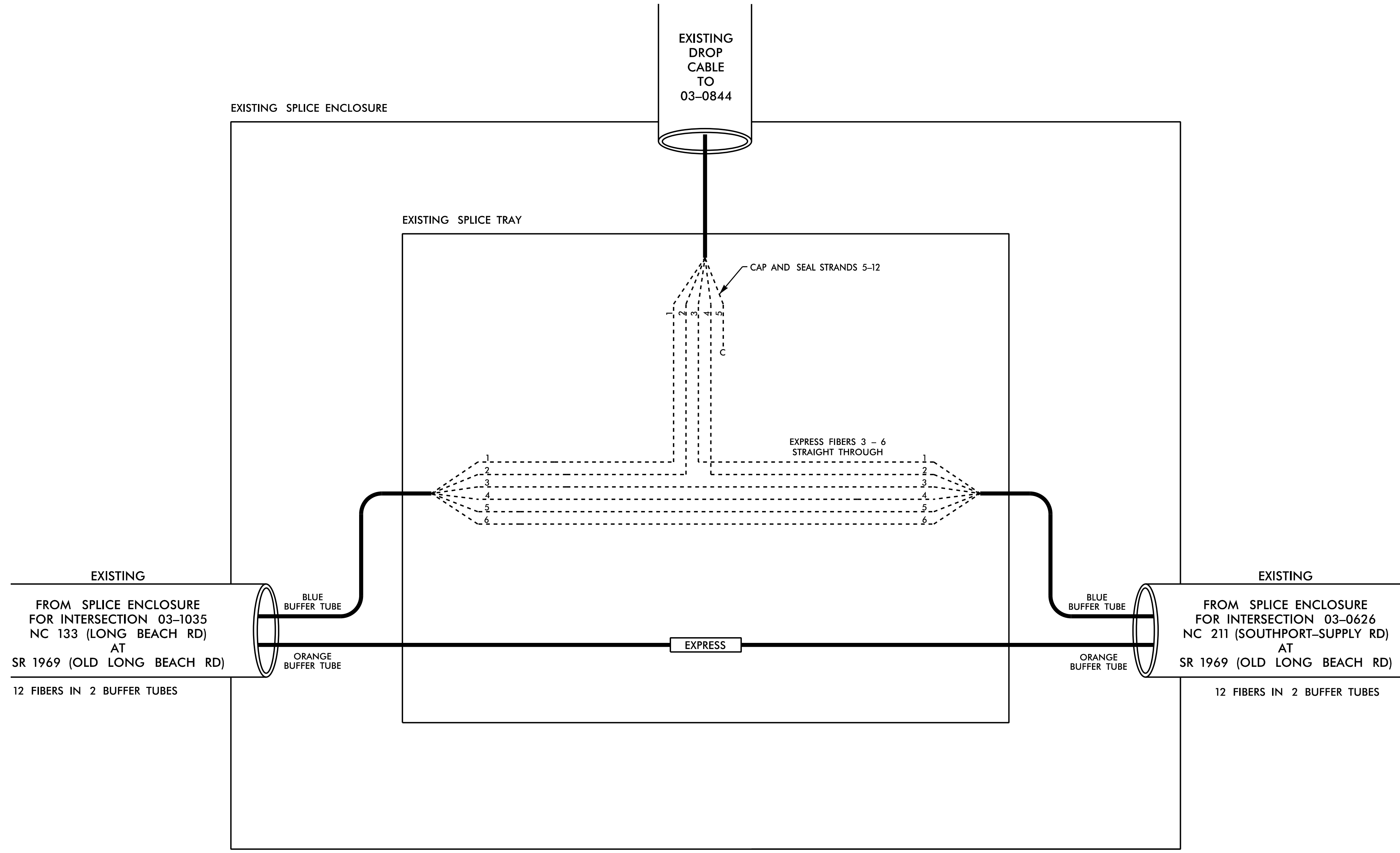


03-0844
 SR 1969 (OLD LONG BEACH RD)
 AT
 SHOPPING CENTER


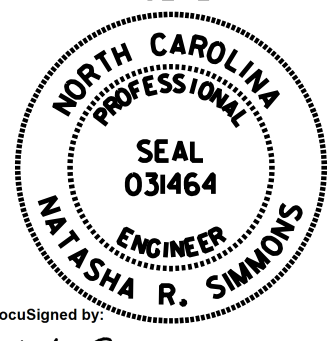
**NO WORK ON THIS SHEET.
 SHOWN FOR INFORMATION PURPOSES ONLY.**

COLOR CODE TIA/EIA 598-C		LEGEND	
(1) BLUE	(7) RED	X = NEW FUSION SPLICE INDIVIDUAL FIBER	
(2) ORANGE	(8) BLACK	● = EXISTING FUSION SPLICE	
(3) GREEN	(9) YELLOW	C = CAP AND SEAL	
(4) BROWN	(10) VIOLET	EXPRESS = EXPRESS ENTIRE BUFFER TUBE THROUGH WITHOUT CUTTING	
(5) SLATE	(11) ROSE	BUFFER SPLICE = SPLICE ALL FIBERS IN BUFFER TUBE COLOR TO COLOR	
(6) WHITE	(12) AQUA		



**DOCUMENT NOT CONSIDERED FINAL
 UNLESS ALL SIGNATURES COMPLETED**

HNTB HNTB NORTH CAROLINA, P.C.
 343 E. Six Forks Road, Suite 200
 Raleigh, North Carolina 27609
 NC License No: C-1554
 (919) 548-8997

Plans Prepared for:  250 N. Greenfield Place, Garner, NC 27529	NC 211 (SOUTHPORT-SUPPLY RD / HOWE ST) SPLICE DETAIL		SEAL  NATASHA R. SIMMONS ENGINEER
	Division 3 Brunswick Co. Southport		
PLAN DATE: June 2018 PREPARED BY: Rakesh Nune	REVIEWED BY: T.R. Terrell REVIEWED BY: N.R. Simmons	DocuSigned by: Natasha Simmons 9/9/2021 FE0488DF3AD45A	DATE
SCALE NONE	REVISIONS	INIT.	DATE
CADD Filename: R5021_scp-51.dgn			