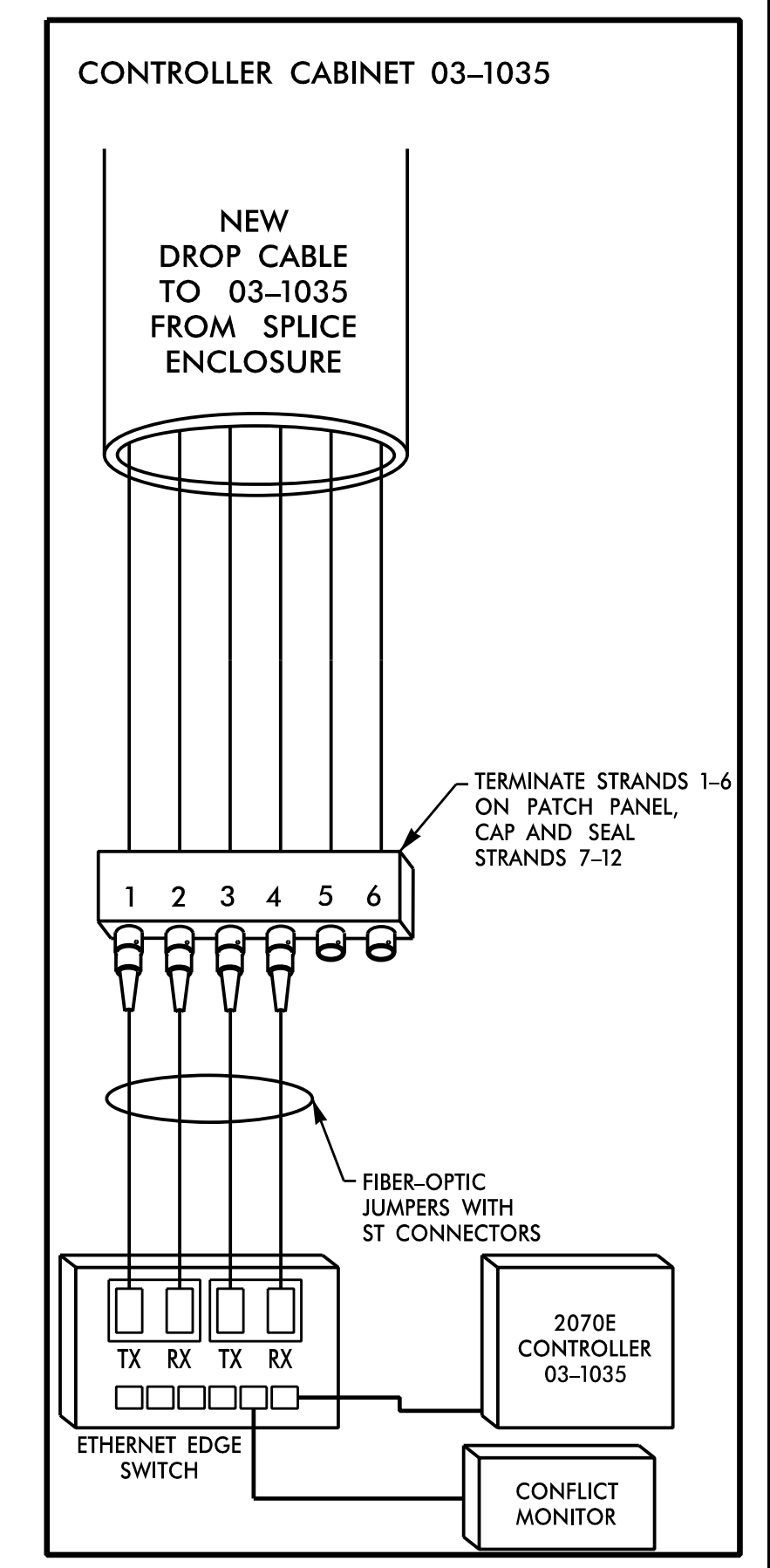
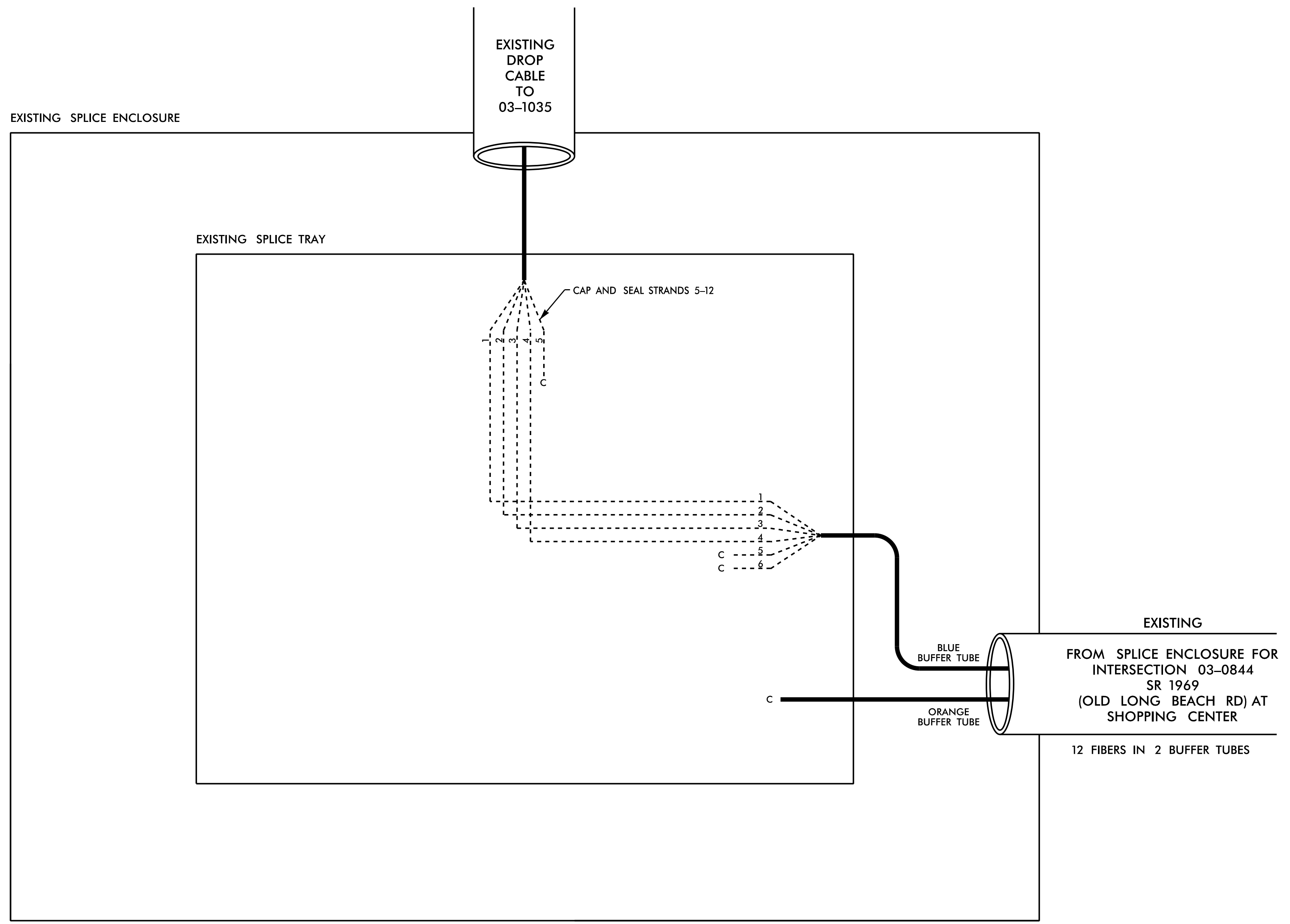


03-1035
 NC 133 (LONG BEACH RD)
 AT
 SR 1969 (OLD LONG BEACH RD)

**NO WORK ON THIS SHEET.
 SHOWN FOR INFORMATION PURPOSES ONLY.**

COLOR CODE TIA/EIA 598-C		LEGEND	
(1) BLUE	(7) RED	X = NEW FUSION SPLICE INDIVIDUAL FIBER	
(2) ORANGE	(8) BLACK	● = EXISTING FUSION SPLICE	
(3) GREEN	(9) YELLOW	C = CAP AND SEAL	
(4) BROWN	(10) VIOLET	EXPRESS = EXPRESS ENTIRE BUFFER TUBE THROUGH WITHOUT CUTTING	
(5) SLATE	(11) ROSE	BUFFER SPLICE = SPLICE ALL FIBERS IN BUFFER TUBE COLOR TO COLOR	
(6) WHITE	(12) AQUA		



DOCUMENT NOT CONSIDERED FINAL UNLESS ALL SIGNATURES COMPLETED

HNTB HNTB NORTH CAROLINA, P.C.
 343 E. Six Forks Road, Suite 200
 Raleigh, North Carolina 27609
 NC License No: C-1554
 (919) 548-8997

	NC 211 (SOUTHPORT-SUPPLY RD / HOWE ST) SPLICE DETAIL		
	Division 3 Brunswick Co. Southport	PLAN DATE: June 2018 PREPARED BY: Rakesh Nune	
SCALE NONE	REVISIONS	INIT. DATE	DocuSigned by: Natasha Simmons 9/9/2021 FEDERAL REGISTERED PROFESSIONAL ENGINEER SIGNATURE DATE CADD File name: R5021_scp-50.dgn