

5/14/99

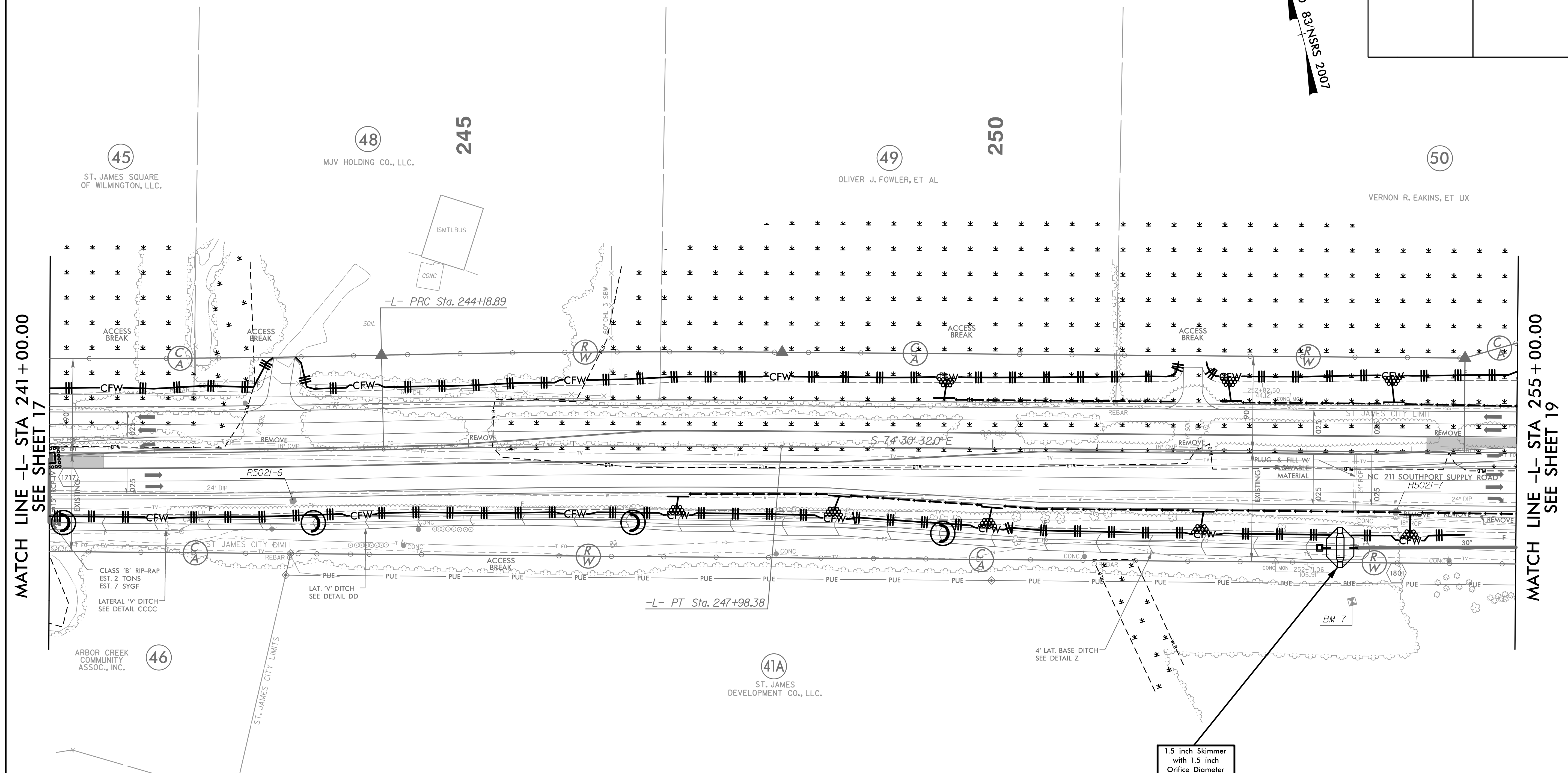
Place Matting for Erosion Control
or Coir Fiber Mat, as directed,
on Slope as Work Allows.
-L- Sta. 241+00 to Sta. 250+00 RT
-L- Sta. 252+00 to Sta. 255+00 RT

NOTE:
UTILIZE COIR FIBER MATTING ADJACENT TO WETLANDS /JURISDICTIONAL
AREAS, AND AS DIRECTED

HNTB HNTB NORTH CAROLINA, P.C.
343 E. Six Forks Road, Suite 200
Raleigh, North Carolina 27609
NC License No: C-1554

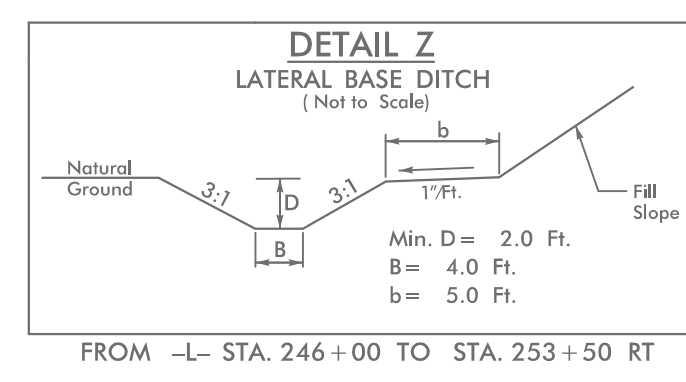
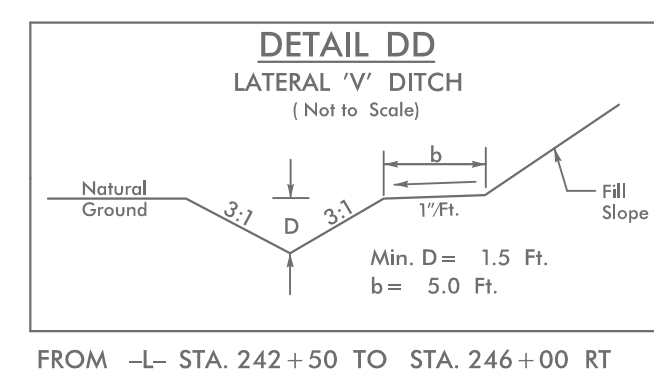
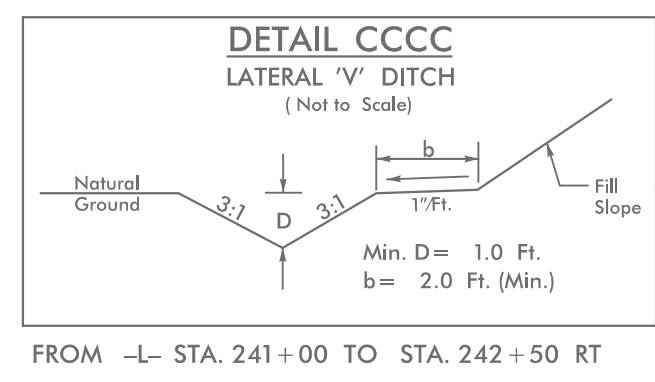
PROJECT REFERENCE NO.	SHEET NO.
R-5021	EC-55/CONST.18
RW SHEET NO.	
ROADWAY DESIGN ENGINEER	HYDRAULICS ENGINEER

NAD 83/NSRS 2007



MATCH LINE -L- STA 241+00.00
SEE SHEET 17

MATCH LINE -L- STA 255+00.00
SEE SHEET 19



1.5 inch Skimmer
with 1.5 inch
Orifice Diameter
10 ft. weir with
2.5 ft. weir height
ID 18.03F
(See Earthen Dam
with Skimmer Detail)

4/22/2021
L-EC_PSH18.dgn