
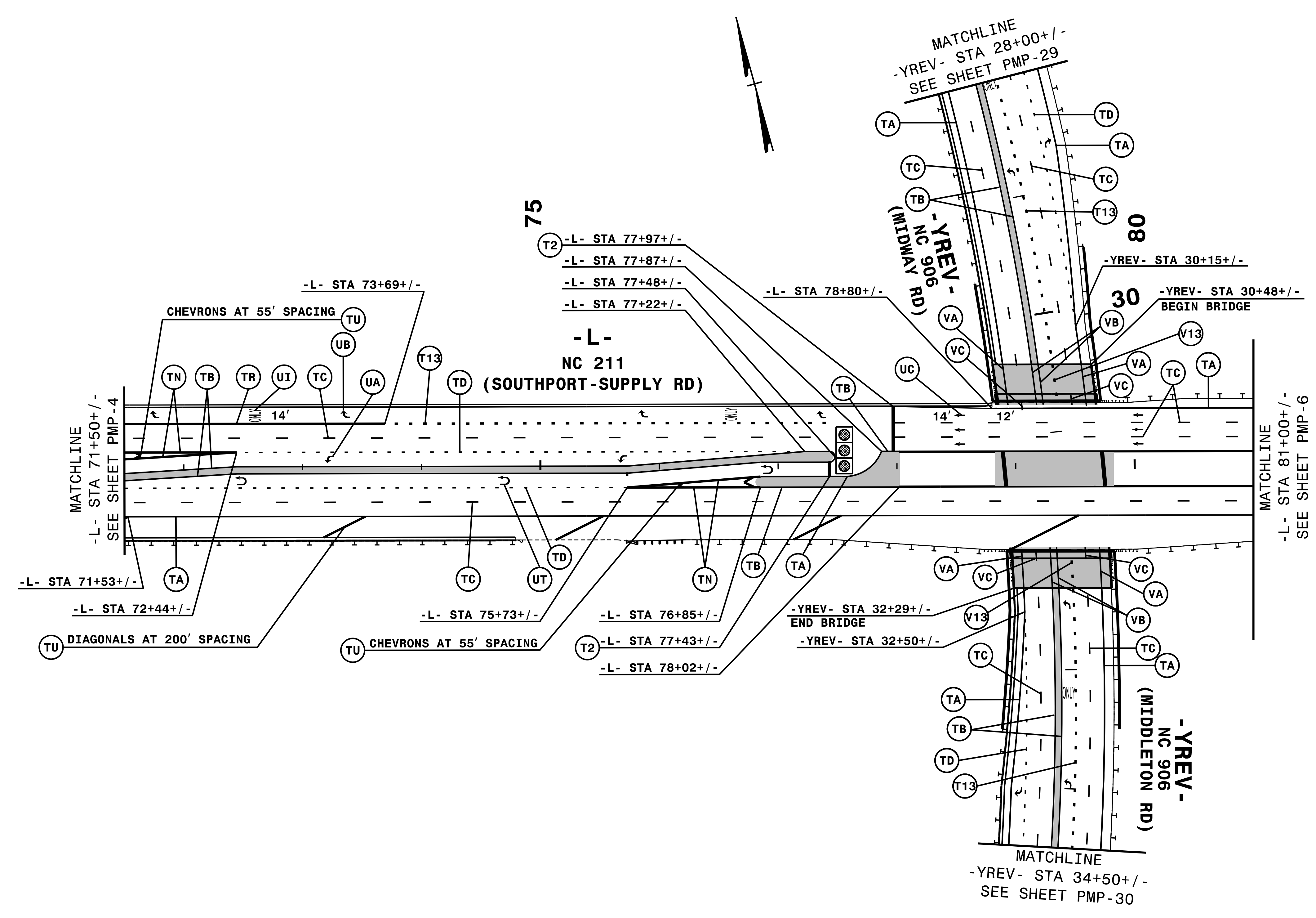
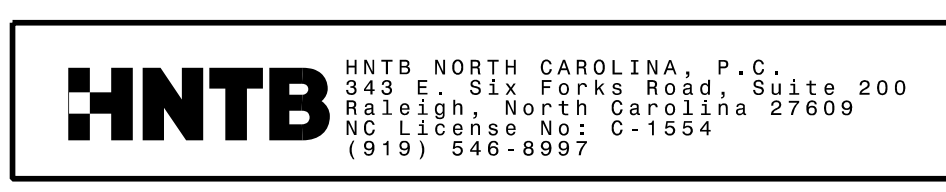


| | |
|---|--------------------|
| TIP NO. R-5021 | SHEET NO. PMP-5 |
| APPROVED: <i>Andrew D. Klinck</i> E3078FB4596E48 | |
| DATE: 10/28/2021 | |
|  | |
| DOCUMENT NOT CONSIDERED FINAL UNLESS ALL SIGNATURES COMPLETED | |



NOTE: ALL LANE WIDTHS ARE 12' UNLESS OTHERWISE SHOWN.



PAVEMENT MARKING DETAIL

10/28/2021
PMP-R5021_PMP_05.dgn
HNTB