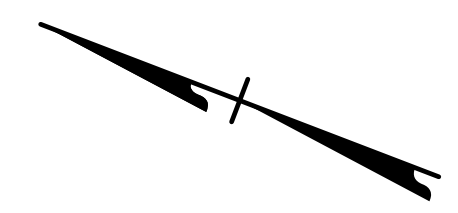


REMOVE CONFLICTING PAVEMENT MARKING.



20 EST QUANTITY = 387 SF

TEMPORARY SHORING
FROM -L- STA 428+00+/-, 7.4' LT
TO -L- STA 428+70+/-, 6.9' LT

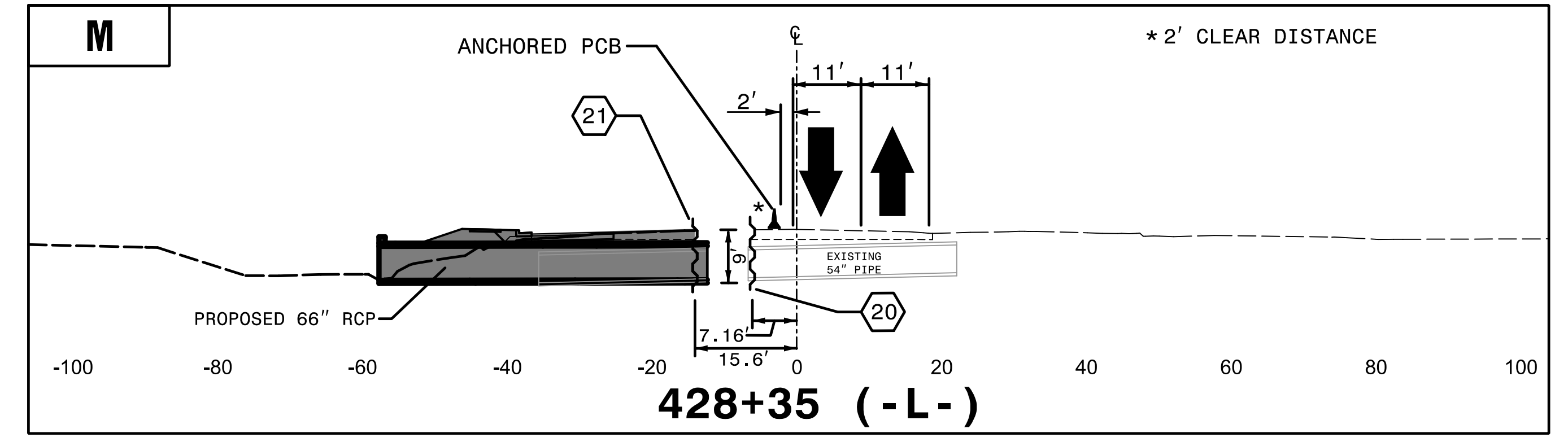
(SEE TMP-2G FOR
TEMPORARY SHORING NOTES)

21 EST QUANTITY = 423 SF

TEMPORARY SHORING
FROM -L- STA 427+98+/-, 18' LT
TO -L- STA 428+12+/-, 18' LT AND
FROM -L- STA 428+12+/-, 18' LT
TO -L- STA 428+72+/-, 11.8' LT

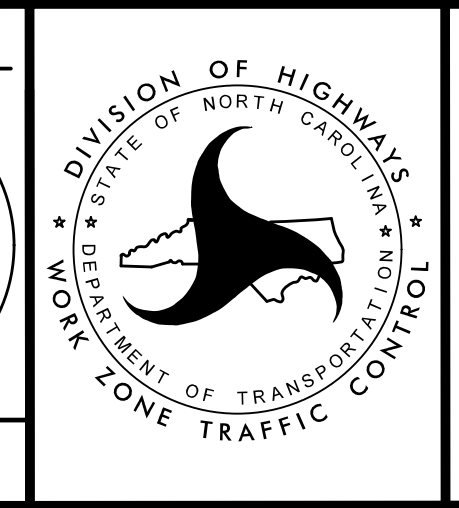
(SEE TMP-2G FOR
TEMPORARY SHORING NOTES)

NOTE: DRAINAGE INFO SHOWN IS ONLY FOR CONTRACTOR
CONSIDERATION. CONTRACTOR SHOULD VERIFY THAT
PONDING OF WATER WILL NOT OCCUR IN THE TRAVEL LANES.



APPROVED: *Helen Shyu*
DATE: 11/10/2021

SEAL



TRANSPORTATION
MANAGEMENT PLAN
PHASE IB
STEP 16.4
DETAIL

HNTB HNTB NORTH CAROLINA, P.C.
343 E. Six Forks Road, Suite 200
Raleigh, North Carolina 27609
NC License No: C-1554

4:56:40 PM
...TCPL...5021...TC...pld26b.dgn
\$\$\$\$\$USERNAME\$\$\$\$\$