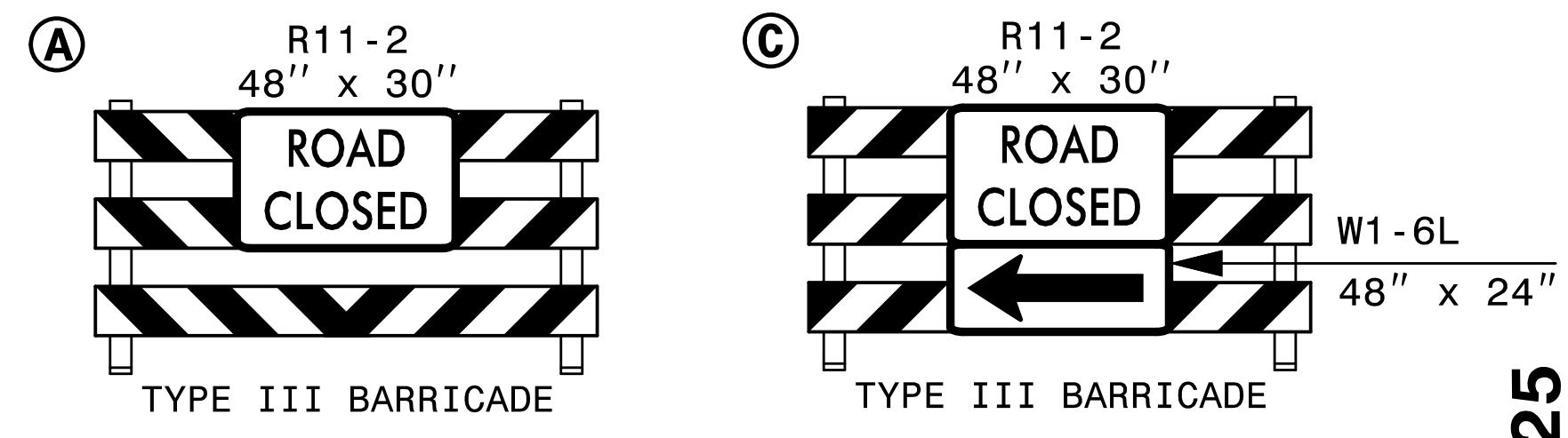
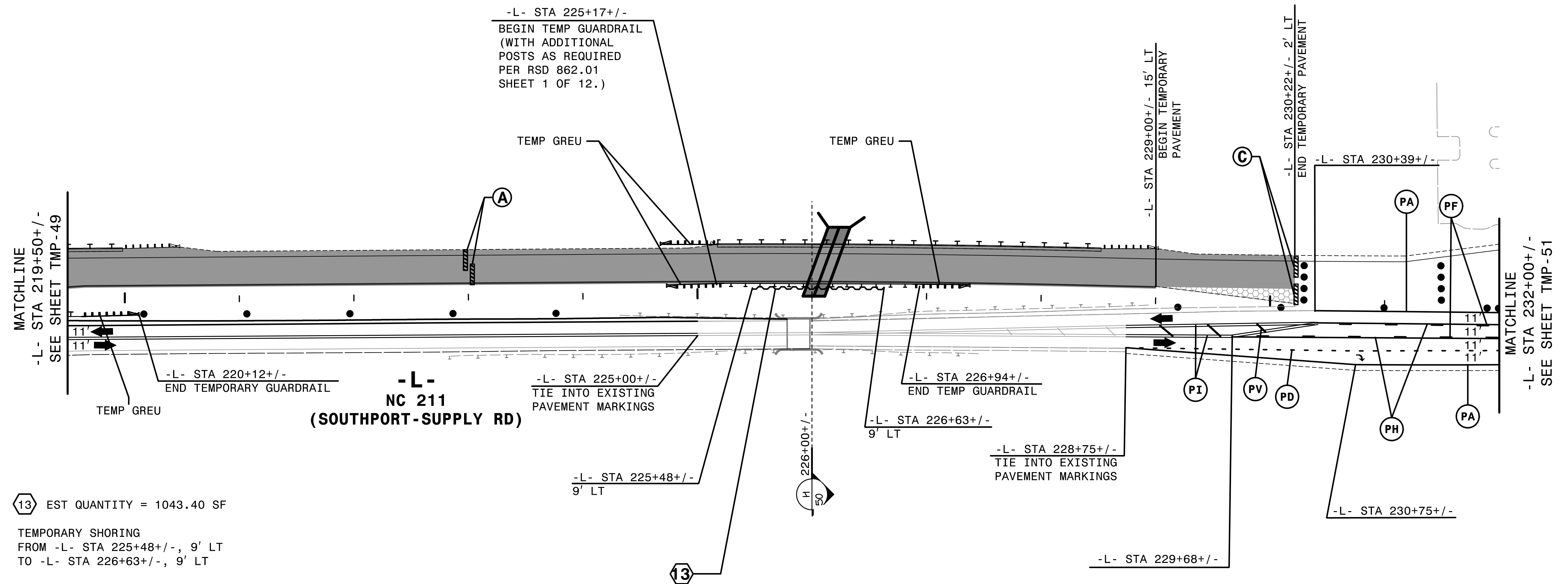


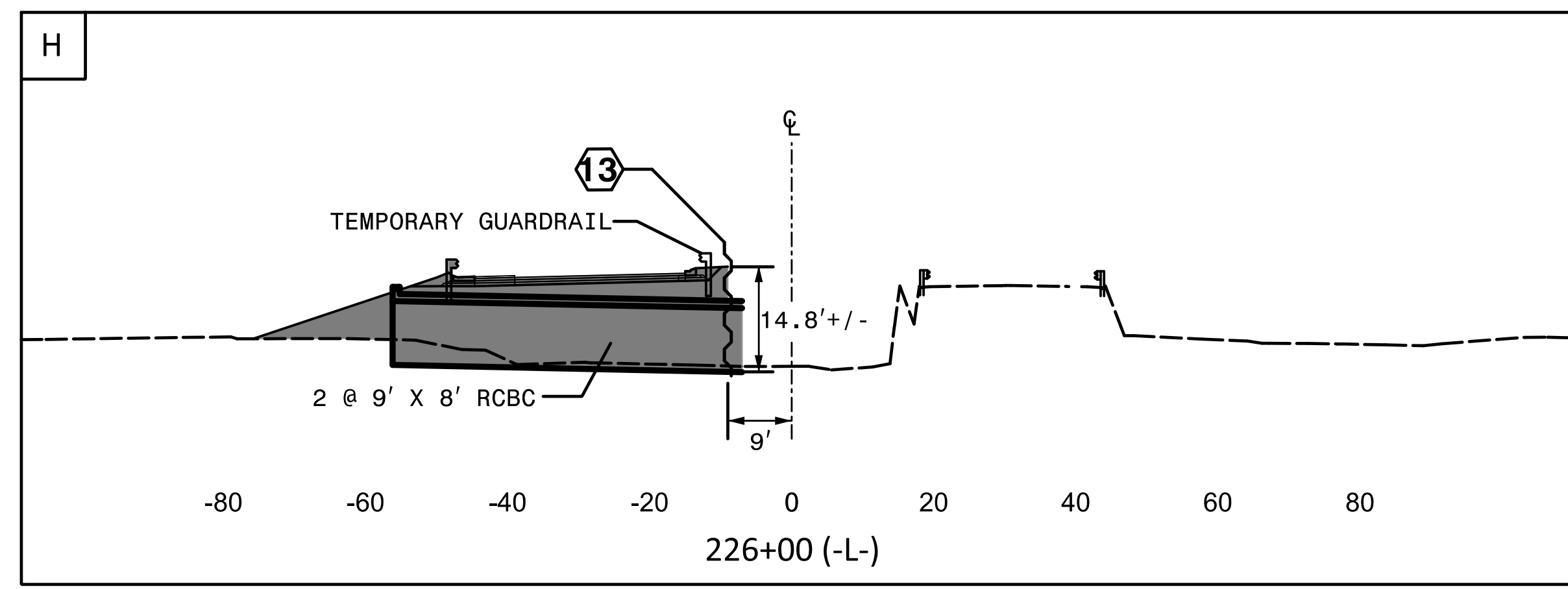
PROJ. REFERENCE NO.	SHEET NO.
R-5021	TMP-50



REMOVE CONFLICTING PAVEMENT MARKING.



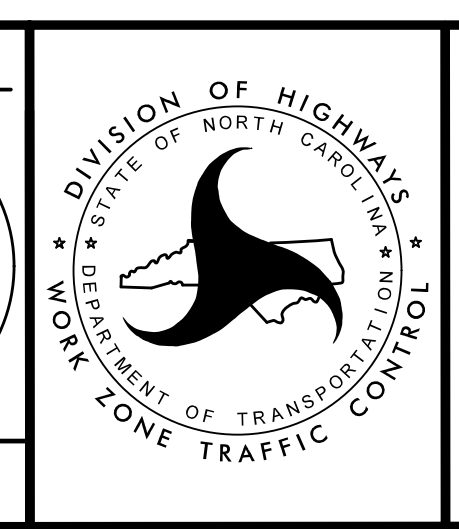
13 EST QUANTITY = 1043.40 SF
 TEMPORARY SHORING
 FROM -L- STA 225+48+/-, 9' LT
 TO -L- STA 226+63+/-, 9' LT
 (SEE SHEET TMP-2G FOR
 TEMPORARY SHORING NOTES)



2/6/2019
HNTB

HNTB
 HNTB NORTH CAROLINA, P.C.
 343 E. Six Forks Road, Suite 200
 Raleigh, North Carolina 27609
 NC License No: C-1554

APPROVED: *Helen Skyy*
 DATE: 2/6/2019
 SEAL
 PROFESSIONAL ENGINEER
 HELEN SKYY
 042517



TRANSPORTATION
 MANAGEMENT PLAN
 PHASE IA
 DETAIL

DOCUMENT NOT CONSIDERED FINAL
UNLESS ALL SIGNATURES COMPLETED