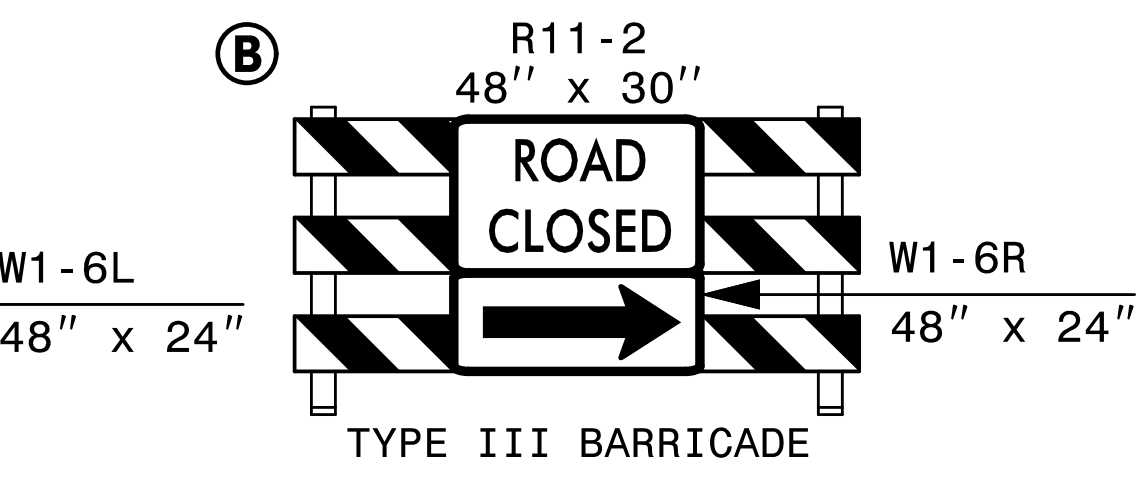
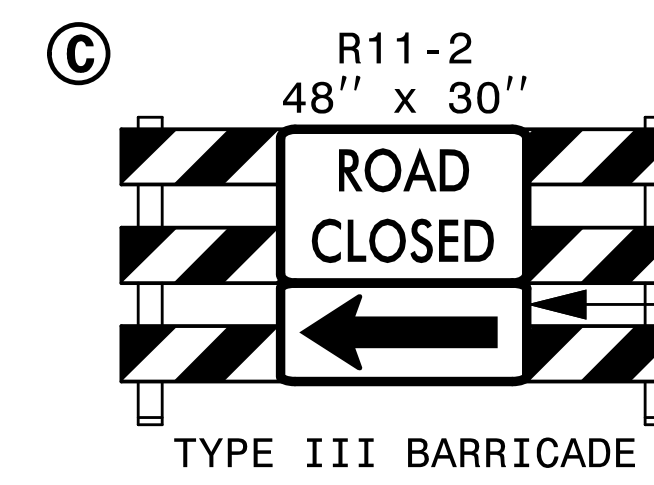
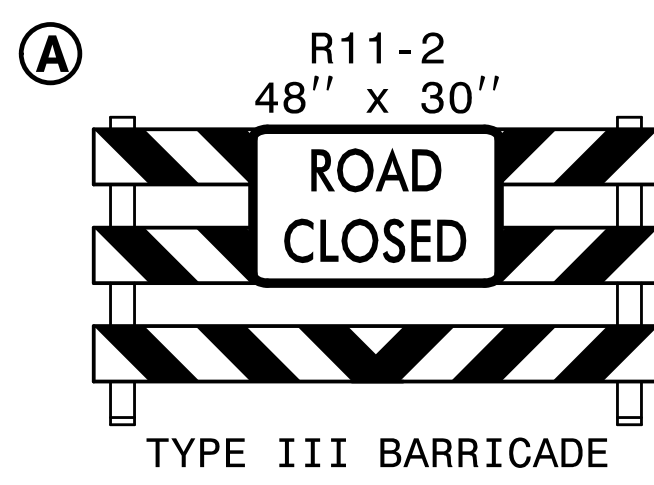
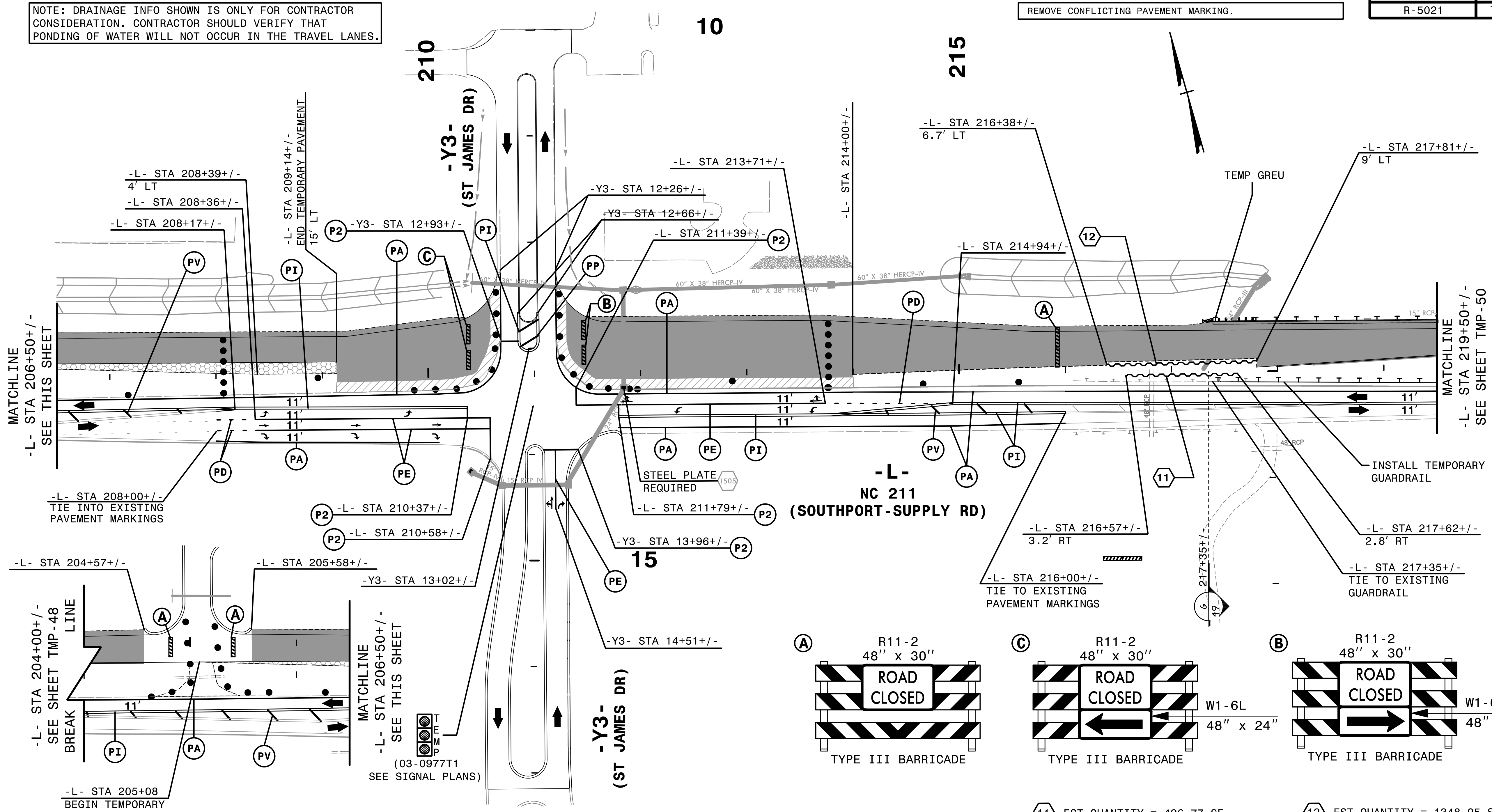


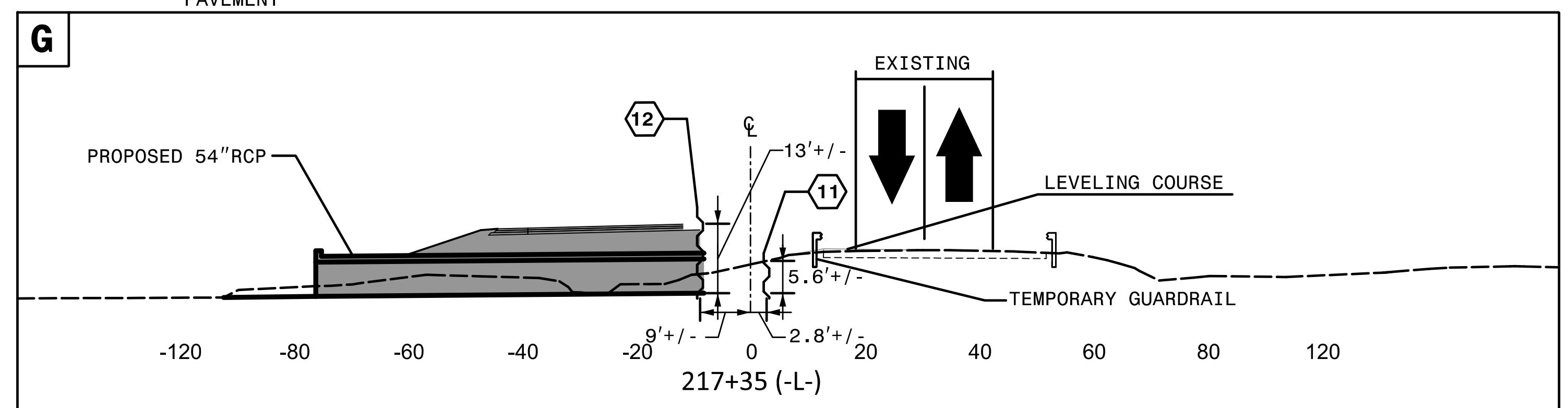
NOTE: DRAINAGE INFO SHOWN IS ONLY FOR CONTRACTOR CONSIDERATION. CONTRACTOR SHOULD VERIFY THAT PONDING OF WATER WILL NOT OCCUR IN THE TRAVEL LANES.

PROJ. REFERENCE NO.	SHEET NO.
R-5021	TMP-49



11 EST QUANTITY = 496.77 SF
 TEMPORARY SHORING
 FROM -L- STA 216+57+/-, 3.2' RT
 TO -L- STA 217+62+/-, 2.8' RT
 (SEE SHEET TMP-2G FOR TEMPORARY SHORING NOTES)

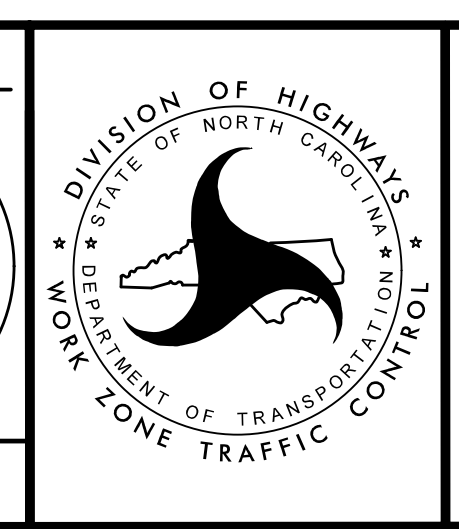
12 EST QUANTITY = 1348.05 SF
 TEMPORARY SHORING
 FROM -L- STA 216+38+/-, 6.7' LT
 TO -L- STA 217+81+/-, 9' LT
 (SEE SHEET TMP-2G FOR TEMPORARY SHORING NOTES)



4:53:00 PM
...TCPL_5021...
...USERNAME...

HNTB HNTB NORTH CAROLINA, P.C.
343 E. Six Forks Road, Suite 200
Raleigh, North Carolina 27609
NC License No: C-1554

APPROVED: *Helen Shyu*
 DATE: 9/9/2021
 SEAL
 DOCUMENT NOT CONSIDERED FINAL
 UNLESS ALL SIGNATURES COMPLETED



DIVISION OF HIGHWAYS
 DEPARTMENT OF TRANSPORTATION
 WORK ZONE TRAFFIC CONTROL
 TRANSPORTATION
 MANAGEMENT PLAN
 PHASE IA
 DETAIL