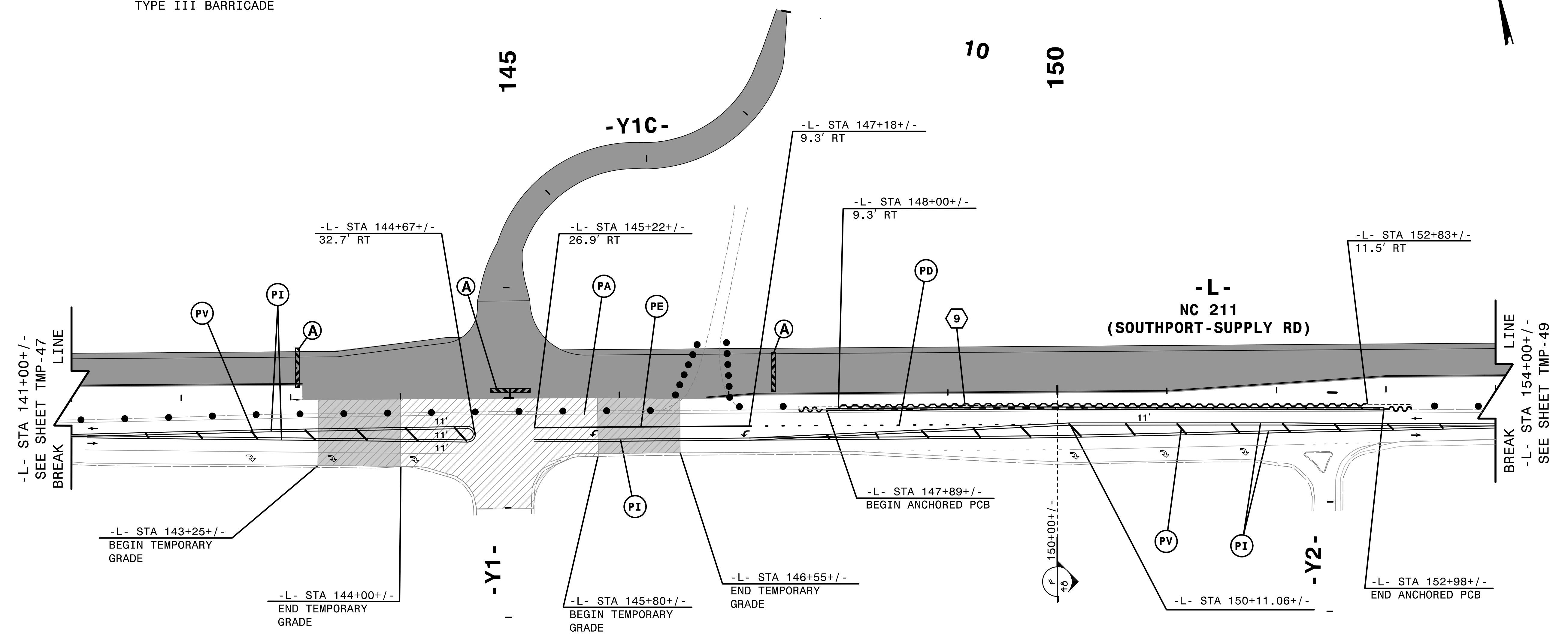
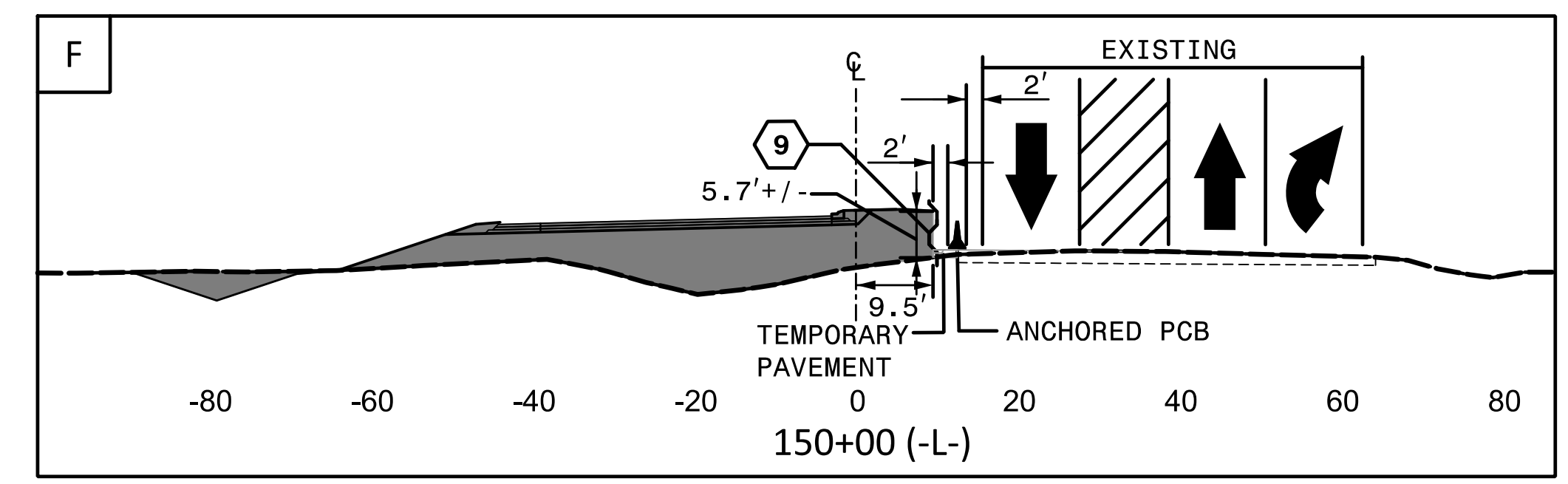


REMOVE CONFLICTING PAVEMENT MARKING.

PROJ. REFERENCE NO.	SHEET NO.
R-5021	TMP-48



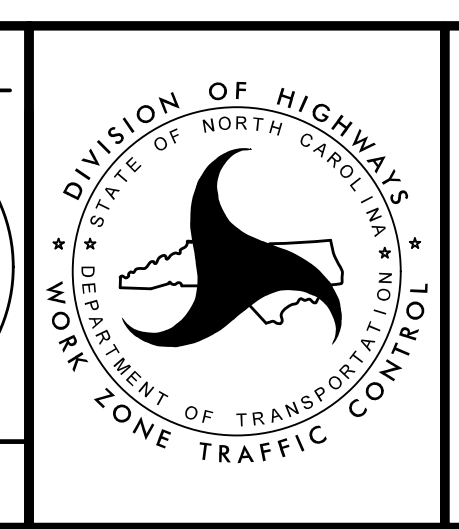
9 EST QUANTITY = 2584.05 SF  
 TEMPORARY SHORING  
 FROM -L- STA 148+00+/-, 9.3' LT  
 TO -L- STA 152+83+/-, 11.5' LT  
 (SEE SHEET TMP-2G FOR  
 TEMPORARY SHORING NOTES)



2/6/2019  
HNTB

**HNTB** HNTB NORTH CAROLINA, P.C.  
 343 E. Six Forks Road, Suite 200  
 Raleigh, North Carolina 27609  
 NC License No: C-1554

APPROVED: *Helen Shyu*  
 DATE: 2/6/2019  
 SEAL  
 DOCUMENT NOT CONSIDERED FINAL  
 UNLESS ALL SIGNATURES COMPLETED



TRANSPORTATION  
 MANAGEMENT PLAN  
 PHASE IA  
 DETAIL