

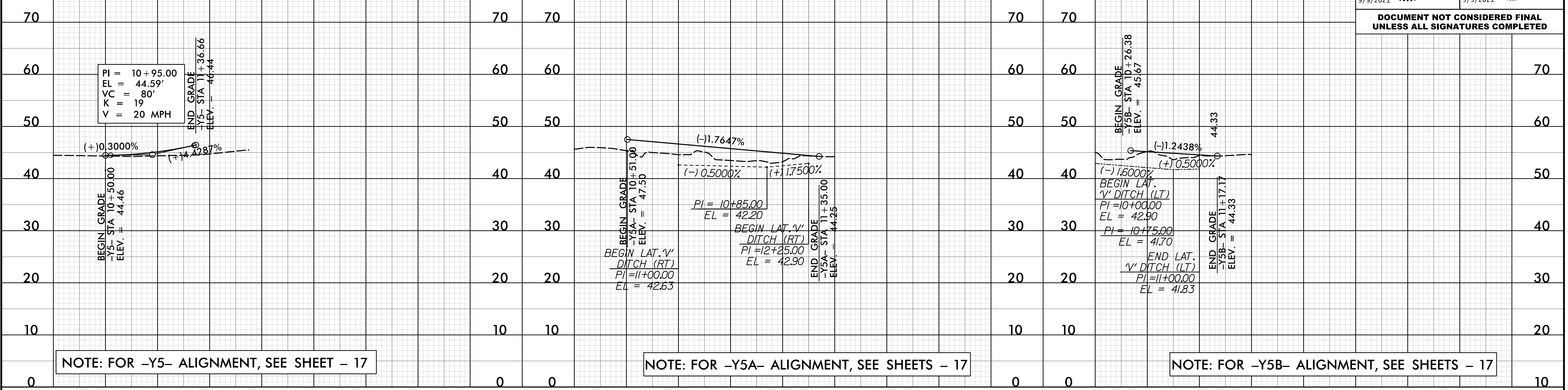
5/28/19

PROJECT REFERENCE NO. R-5021	SHEET NO. 61
ROADWAY DESIGN ENGINEER	HYDRAULICS ENGINEER

- Y5 -

- Y5A -

- Y5B -



NOTE: FOR -Y5- ALIGNMENT, SEE SHEET - 17

NOTE: FOR -Y5A- ALIGNMENT, SEE SHEETS - 17

NOTE: FOR -Y5B- ALIGNMENT, SEE SHEETS - 17

PIPE HYDRAULIC DATA
-Y6- Sta.10+76 (STR *1709)

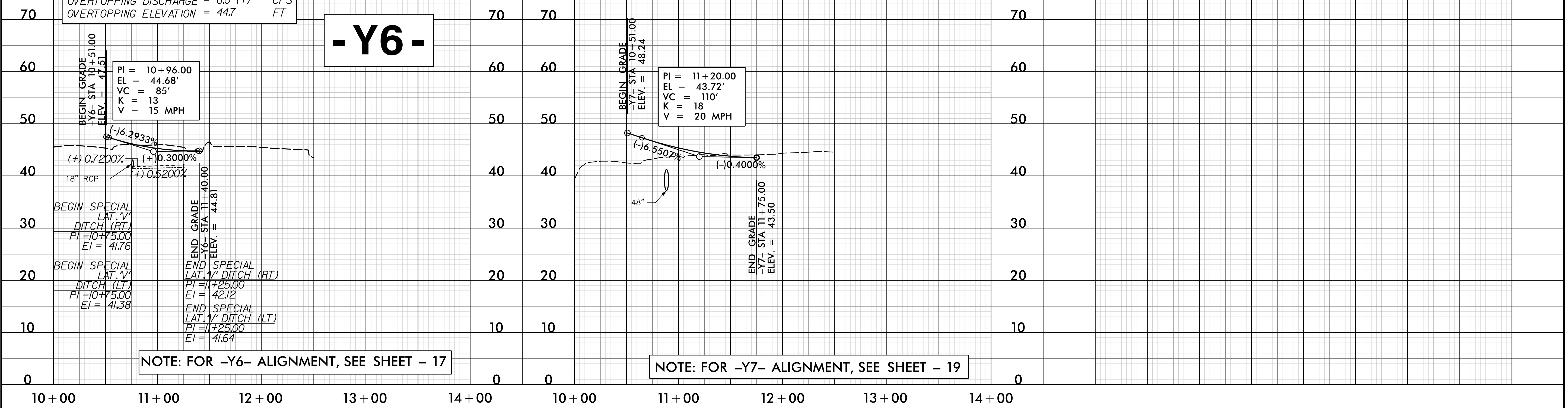
DRAINAGE AREA	= 0.8	AC
DESIGN FREQUENCY	= 25	YRS
DESIGN DISCHARGE	= 4.4	CFS
DESIGN HW ELEVATION	= 42.9	FT
100 YEAR DISCHARGE	= 5.0	CFS
100 YEAR HW ELEVATION	= 43.0	FT
OVERTOPPING FREQUENCY	= 500 (+)	YRS
OVERTOPPING DISCHARGE	= 6.0 (+)	CFS
OVERTOPPING ELEVATION	= 44.7	FT

DITCH LEGEND

LEFT DITCH	-----
RIGHT DITCH	-----

- Y6 -

- Y7 -



NOTE: FOR -Y6- ALIGNMENT, SEE SHEET - 17

NOTE: FOR -Y7- ALIGNMENT, SEE SHEET - 19

22-JUL-2021 09:58
\\p01dway\p-coj\19-5021-RD\Y_PFL_PSH61.dgn
AUTE