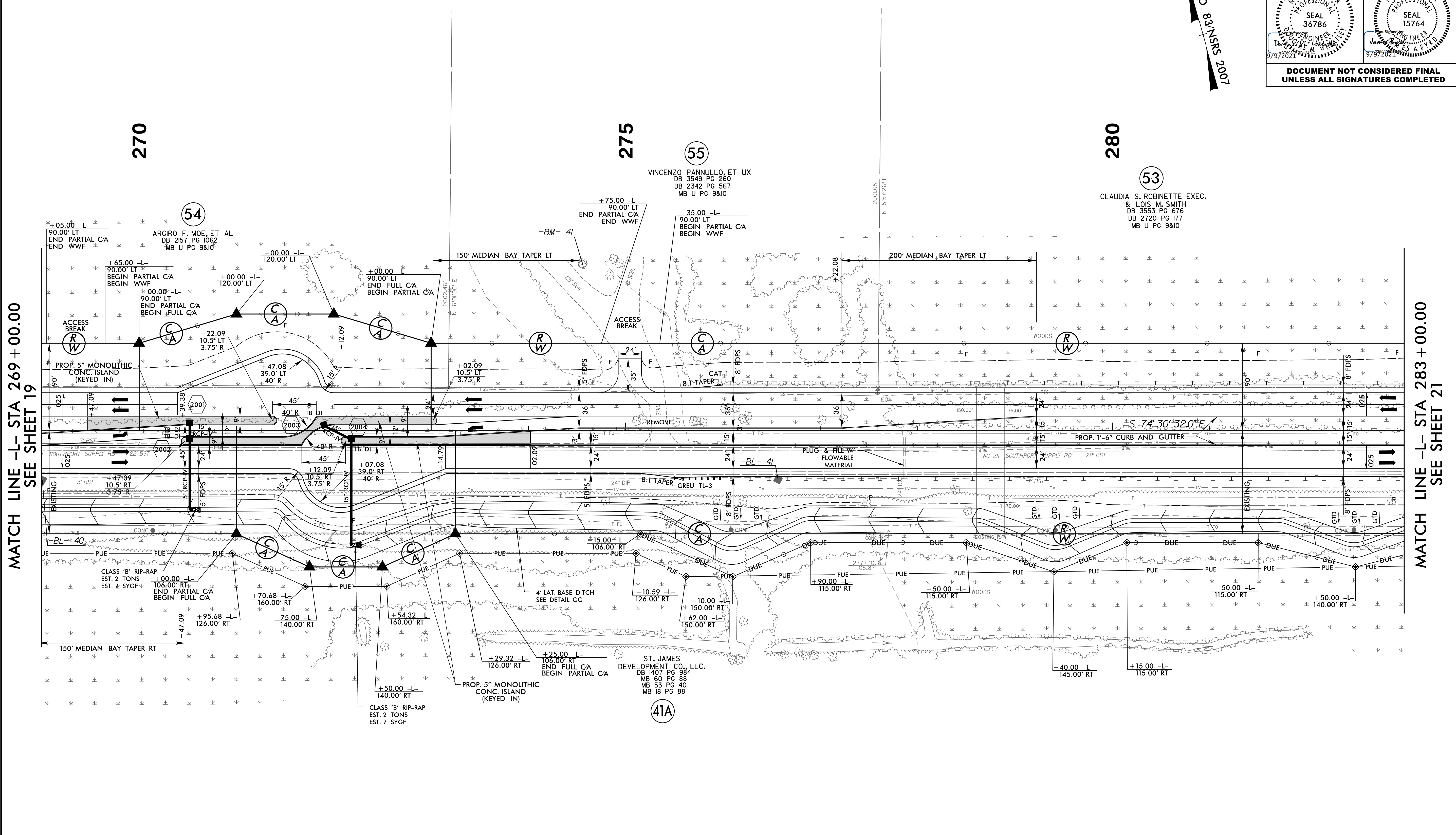
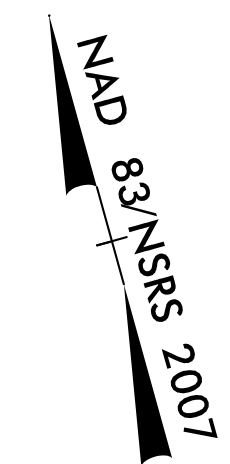


PROJECT REFERENCE NO. R-5021		SHEET NO. 20
RW SHEET NO.		
ROADWAY DESIGN ENGINEER	HYDRAULICS ENGINEER	
DOCUMENT NOT CONSIDERED FINAL UNLESS ALL SIGNATURES COMPLETED		



MATCH LINE -L- STA 269 + 00.00
SEE SHEET 19

MATCH LINE -L- STA 283 + 00.00
SEE SHEET 21

- NOTE:**
1. ALL DRIVEWAY RADII ARE 20' UNLESS NOTED ON PLANS.
 2. PAVED TURNOUTS FOR SHOULDER SECTION SHOULD EXTEND 50' UNLESS NOTED ON PLANS.

FOR -L- PROFILE, SEE SHEET 49
 FOR DRAINAGE DETAILS, SEE SHEETS 2D-1 THRU 2D-3