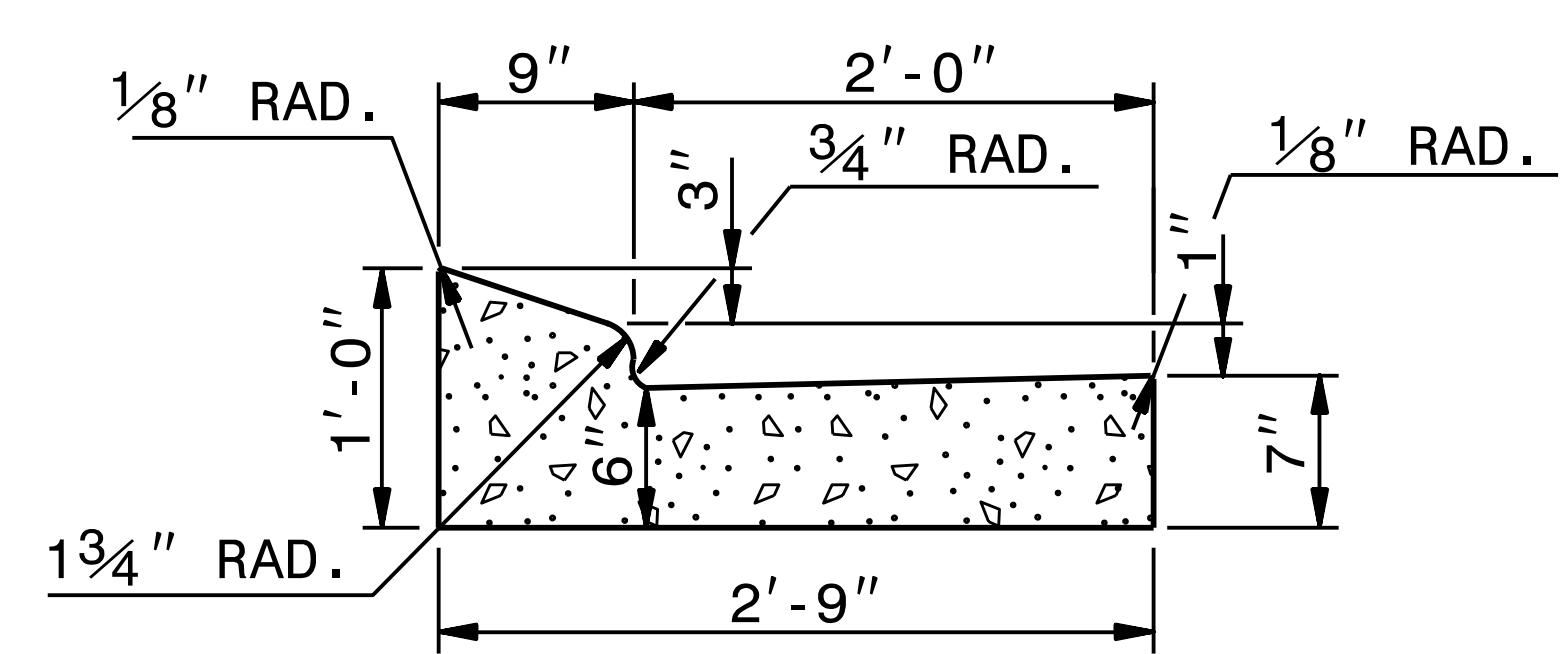


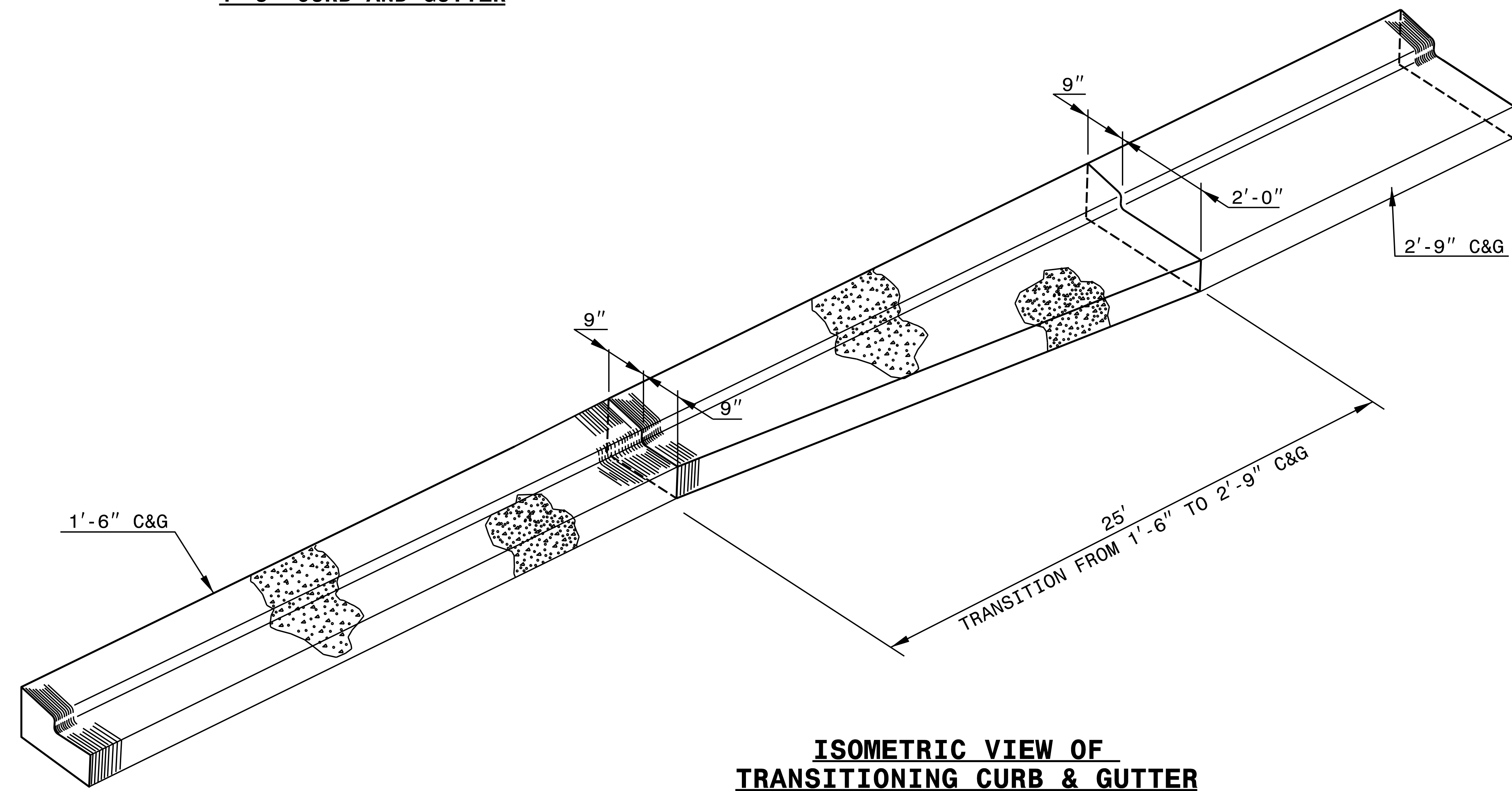
1'-6" CURB AND GUTTER



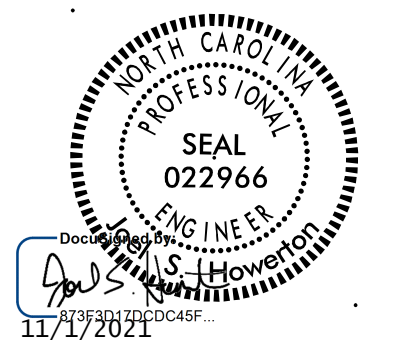
2'-9" CURB AND GUTTER

NOTE: SEE STD. DWG. 846.01 FOR ADDITIONAL CURB AND GUTTER INFORMATION.

SEE ROADWAY PLANS FOR LOCATION OF CURB TRANSITION.



**ISOMETRIC VIEW OF
TRANSITIONING CURB & GUTTER**



DOCUMENT NOT CONSIDERED FINAL
UNLESS ALL SIGNATURES COMPLETED

**CONTRACT STANDARDS
AND DEVELOPMENT UNIT**
Office 919-707-6950 FAX 919-250-4119

**DETAIL OF 1'-6"
TO 2'-9" CURB & GUTTER
TRANSITION SECTION**

ORIGINAL BY: T.S. SPELL DATE: NOV. 26, 2001
 MODIFIED BY: T.S. SPELL DATE: JAN. 23, 2007
 CHECKED BY: DATE:
 FILE SPEC.: DS174:/usr/details/stand/cattransit.dgn