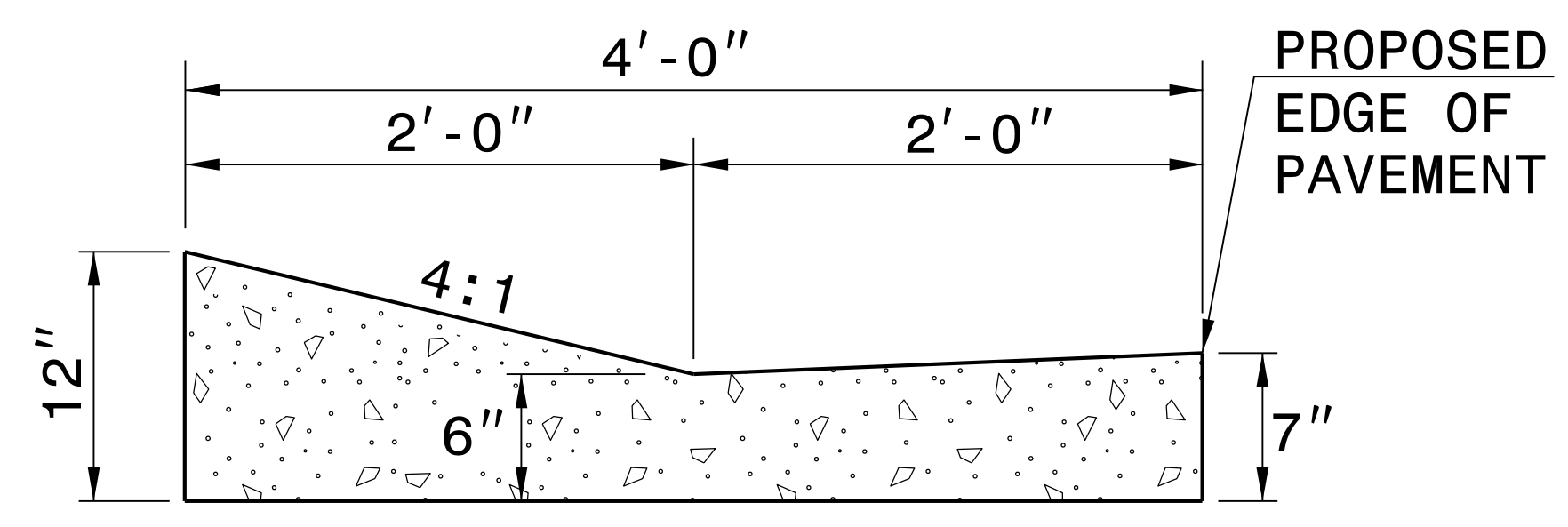


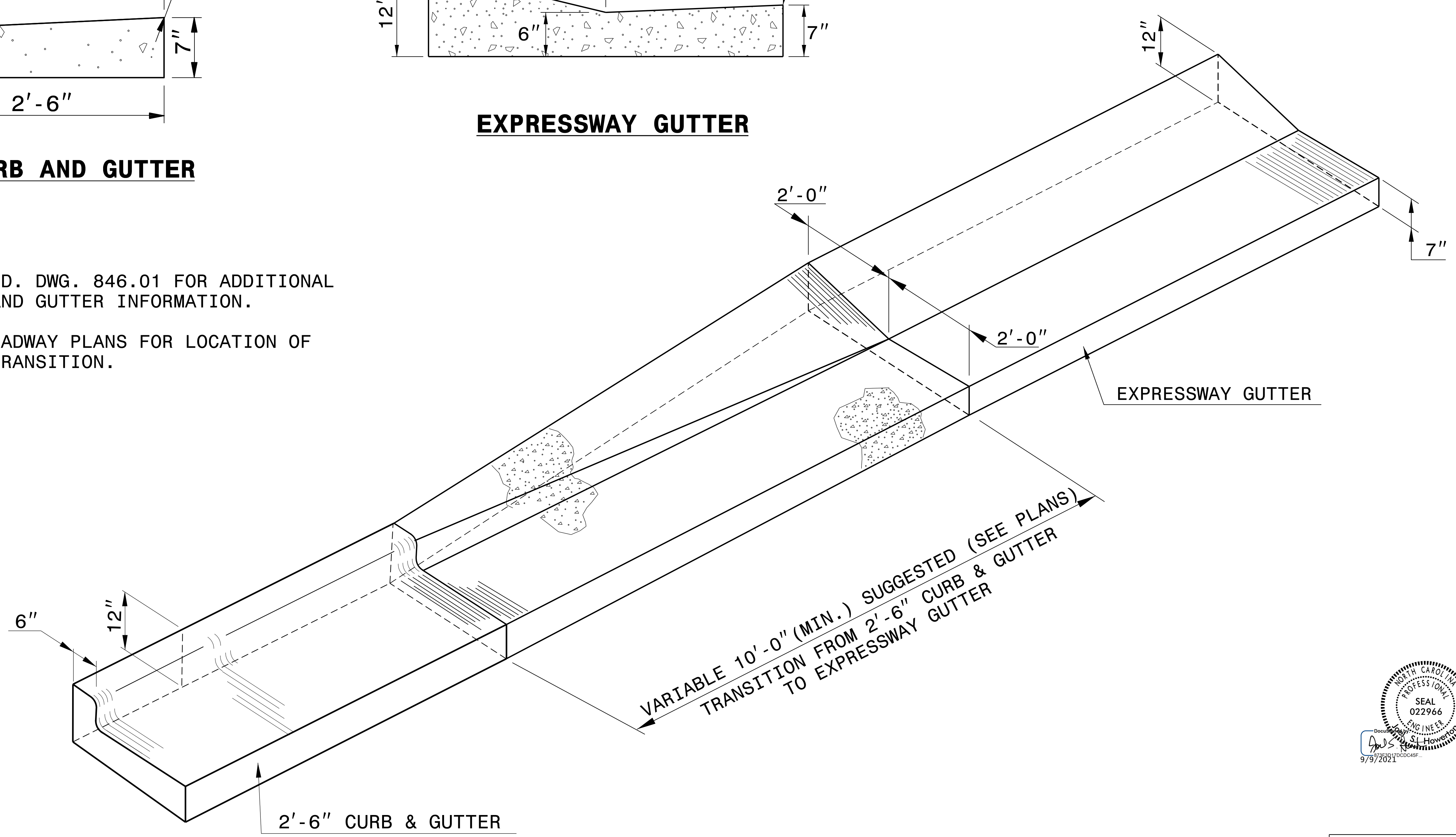
2'-6" CURB AND GUTTER



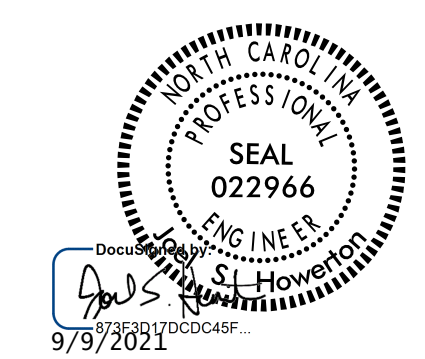
EXPRESSWAY GUTTER

NOTE: SEE STD. DWG. 846.01 FOR ADDITIONAL CURB AND GUTTER INFORMATION.

SEE ROADWAY PLANS FOR LOCATION OF CURB TRANSITION.



ISOMETRIC VIEW OF TRANSITION



DOCUMENT NOT CONSIDERED FINAL UNLESS ALL SIGNATURES COMPLETED

CONTRACT STANDARDS AND DEVELOPMENT UNIT	
Office 919-707-6950	FAX 919-250-4119
DETAIL OF 2'-6" CURB & GUTTER TO EXPRESSWAY GUTTER TRANSITION SECTION	
ORIGINAL BY: T.S. Spell	DATE: 8-13-02
MODIFIED BY:	DATE:
CHECKED BY:	DATE:
FILE SPEC.: w:usr/details/stand/cgtransit.dgn	

05-OCT-2017 08:23 S:\Contracts\Contractors\Special Details\ward\usr\details\stand\c&g transition sections.dgn Jhowerston AT USD-292595

5/14/99