

**GENERAL NOTES:**

USE CLASS "B" CONCRETE THROUGHOUT.

PROVIDE ALL CATCH BASINS OVER 3'-6" IN DEPTH WITH STEPS 12" ON CENTER. USE STEPS WHICH COMPLY WITH STD. DRAWING 840.66.

OPTIONAL CONSTRUCTION - MONOLITHIC POUR, 2" KEYWAY, OR #4 BAR DOWELS AT 12" CENTERS AS DIRECTED BY THE ENGINEER.

USE FORMS FOR THE CONSTRUCTION OF THE BOTTOM SLAB.

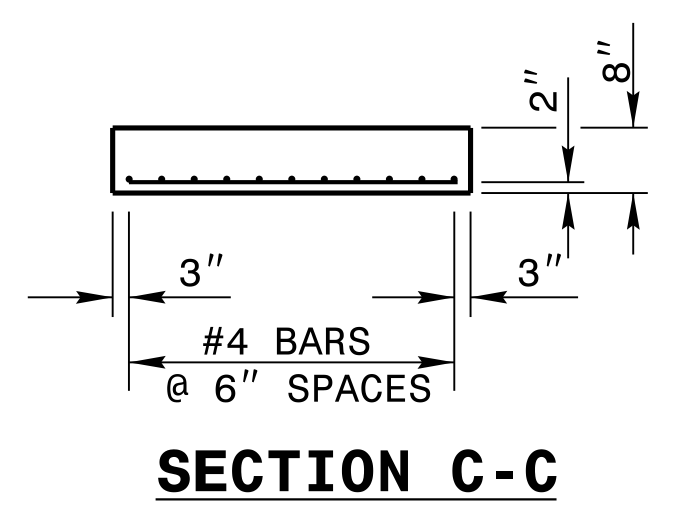
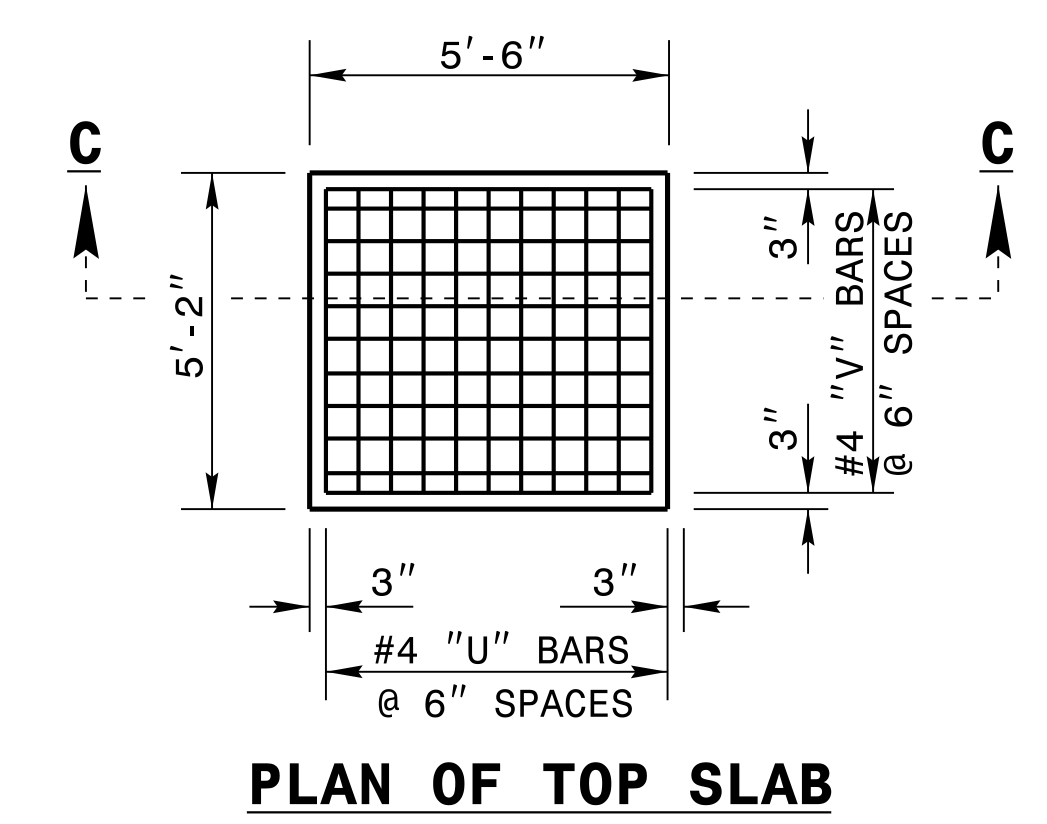
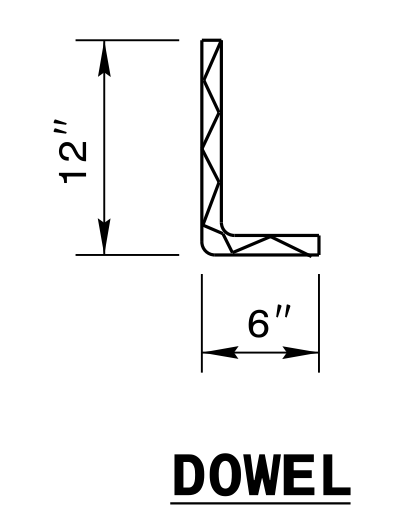
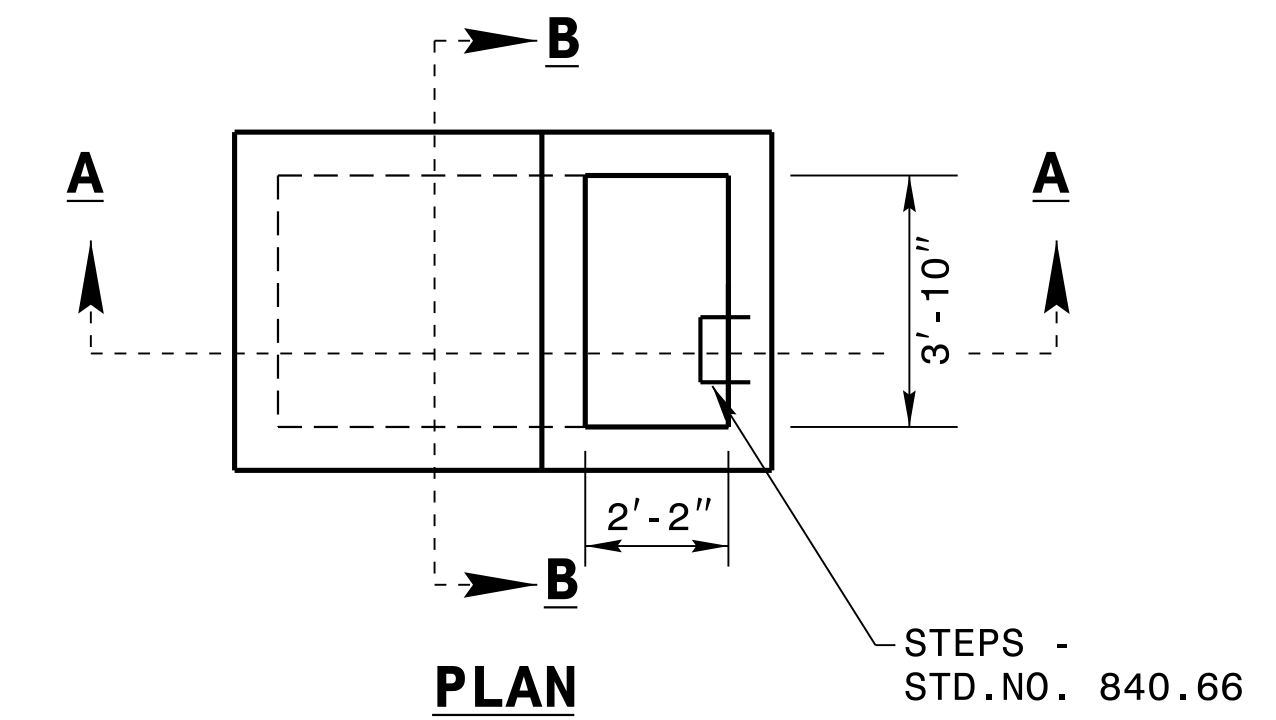
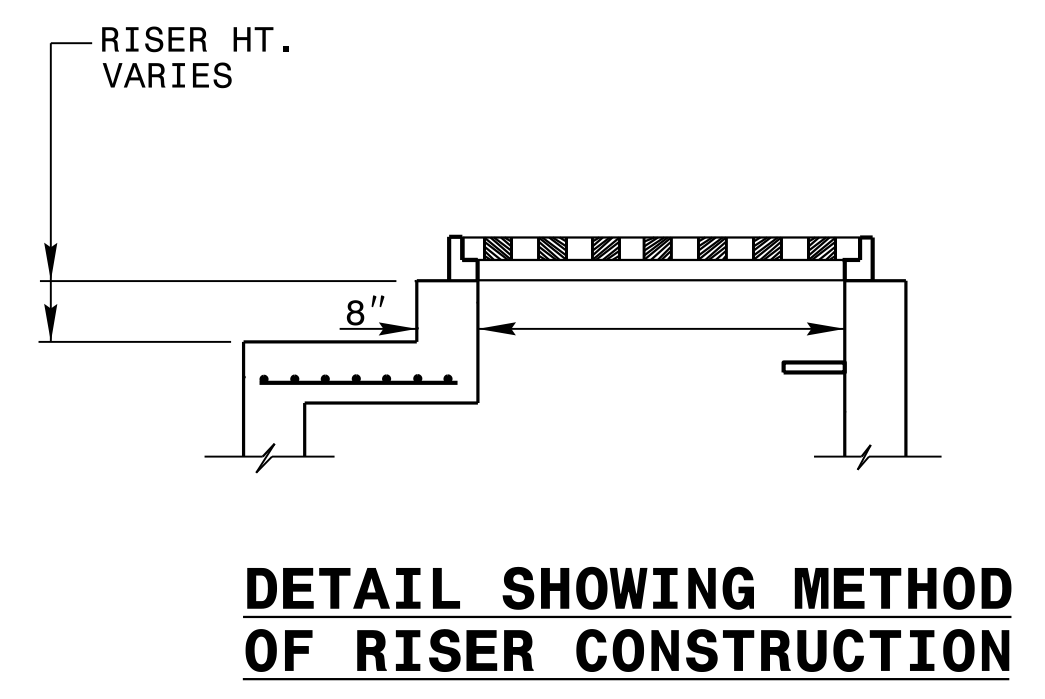
IF REINFORCED CONCRETE PIPE IS SET IN BOTTOM SLAB OF BOX, ADD TO SLAB AS SHOWN ON STD. NO. 840.00.

INSTALL STD 840.24 FRAME AND GRATE UNLESS OTHERWISE DIRECTED BY THE ENGINEER.

CONSTRUCT WITH PIPE CROWNS MATCHING.

CHAMFER ALL EXPOSED CORNERS 1".

DRAWING NOT TO SCALE.



BILL OF MATERIAL FOR CATCH BASIN				
REINF. STEEL			1 PIPE	
BAR	SIZE	LENGTH	NO.	WEIGHT
U	#4	4'-8"	11	34
V	#4	5'-0"	11	37
REINF. STEEL LBS.				71
CLASS "B" CONCRETE			CU. YDS.	4.8
PIPE DEDUCTION 2-60"x38" HERCP				-1.0
TOTAL CLASS "B" CONCRETE			CU. YDS.	3.8

07-JAN-2019 12:03  
 S:\Contracts\Special Details\kempf\english\2gi hepipe 60x38.dgn  
 kempf AT CSD-292596



**DOCUMENT NOT CONSIDERED FINAL  
UNLESS ALL SIGNATURES COMPLETED**

**CONTRACT STANDARDS AND  
DEVELOPMENT UNIT**  
Office 919-707-6950 FAX 919-250-4119

**GRATED DROP INLET  
W/ 60"X38" HERCP**

ORIGINAL BY: kakempf DATE: 01-04-19  
 MODIFIED BY: DATE: \_\_\_\_\_  
 CHECKED BY: DATE: \_\_\_\_\_  
 FILE SPEC.: special\_details/kempf/english/2gi hepipe 60x38.dgn