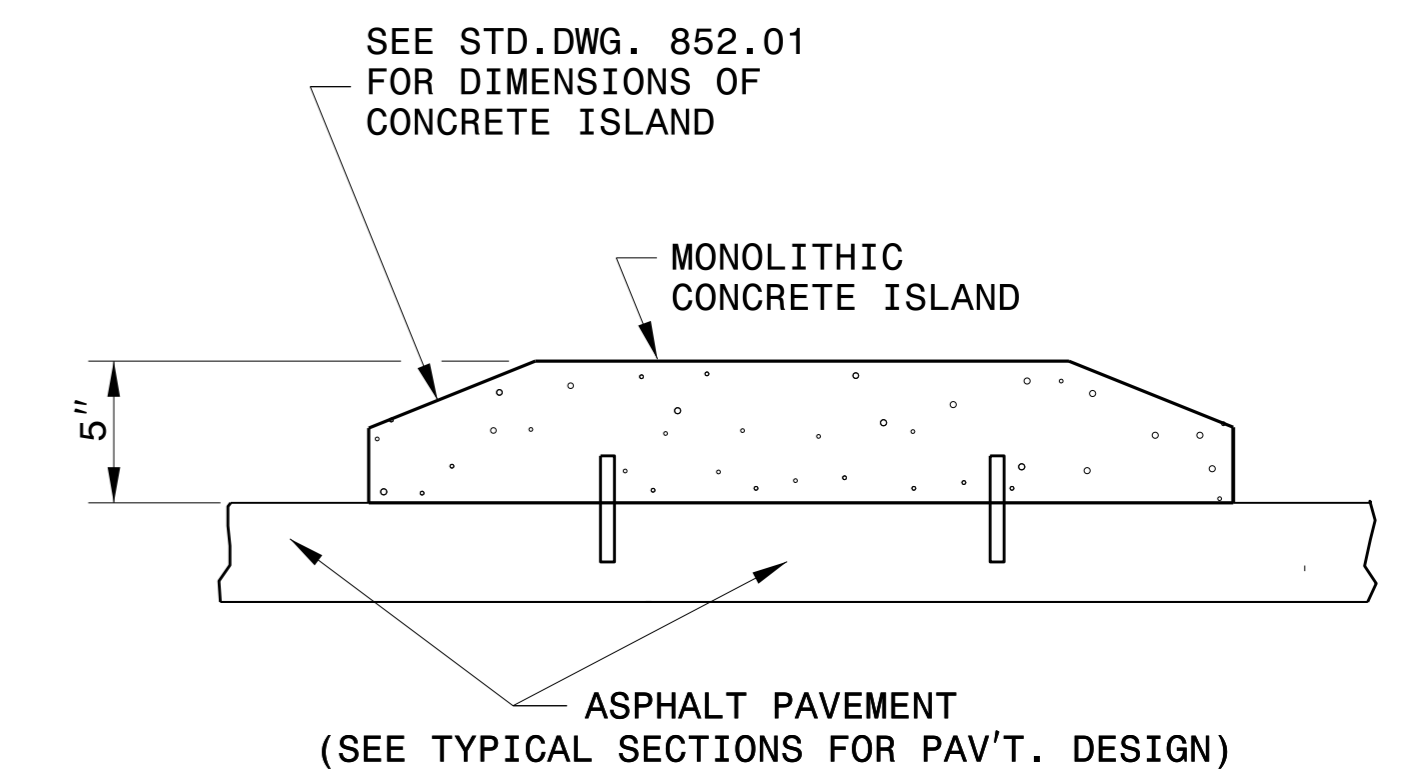
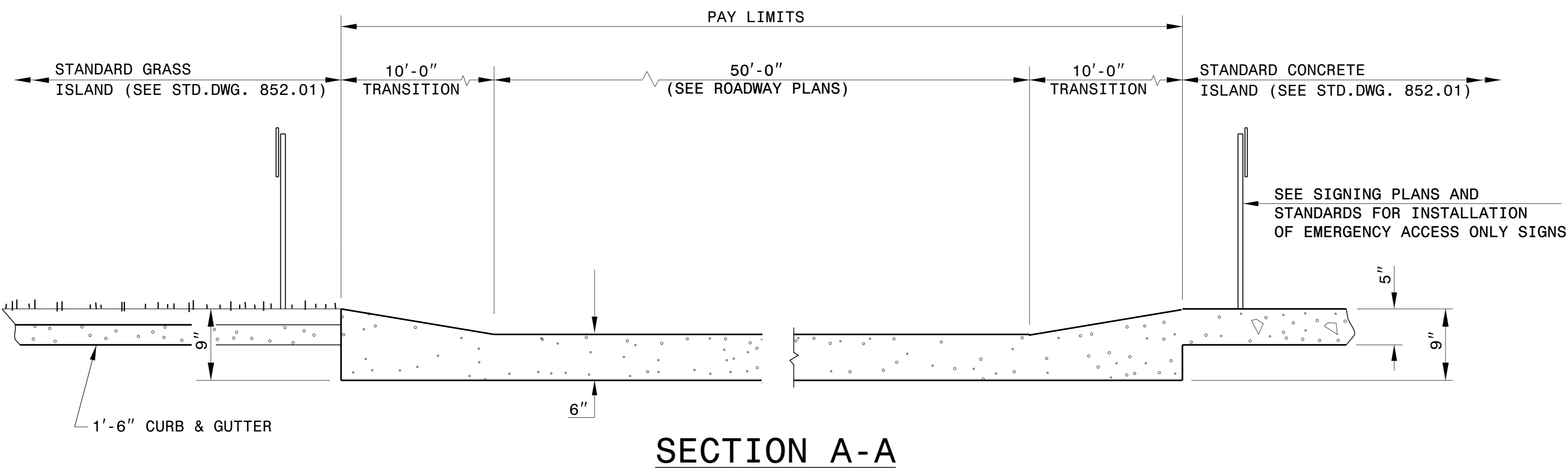
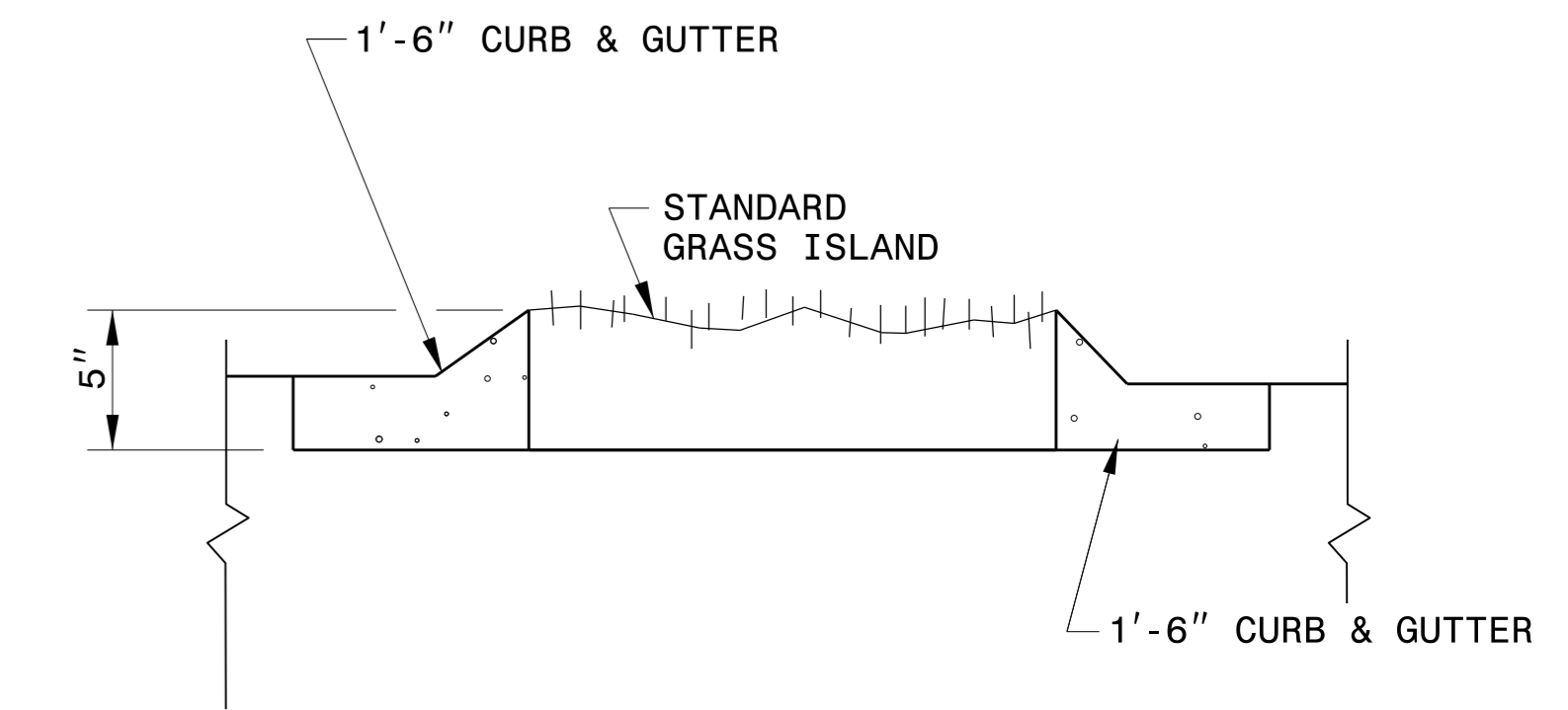


SECTION B-B



SECTION C-C



SECTION D-D

DETAIL OF EMERGENCY VEHICLE ACCESS

- NOTES:
- REFER TO SECTION 852 OF STANDARD SPECIFICATIONS FOR CONCRETE ISLANDS.
 - REFER TO STANDARD DRAWING 852.01 FOR CONTRACTION/EXPANSION JOINTS.
 - PLACE W6xW6 REINFORCING WIRE MESH IN THE BOTTOM 3RD OF THE EMERGENCY VEHICLE ACCESS PORTION OF THE CONCRETE ISLAND THAT MEETS SECTION 1070 OF THE STANDARD SPECIFICATIONS.

CONTRACT STANDARDS & DEVELOPMENT UNIT STANDARDS AND SPECIAL DESIGN	
Office 919-250-4128	FAX 919-250-4119
EMERGENCY VEHICLE ACCESS FOR CONCRETE ISLAND	
ORIGINAL BY: _____	DATE: _____
MODIFIED BY: rnbritt	DATE: 04-12-2012
CHECKED BY: _____	DATE: _____
FILE SPEC.: rnbritt\metric\murbanu3810_emergency_access.dgn	

C:\METRIC\CONSTRUCTION\DESIGN\PROJECTS\2012\04\12\EMERGENCY_VEHICLE_ACCESS.dgn
 04/12/2012 10:00 AM
 RNB
 100%