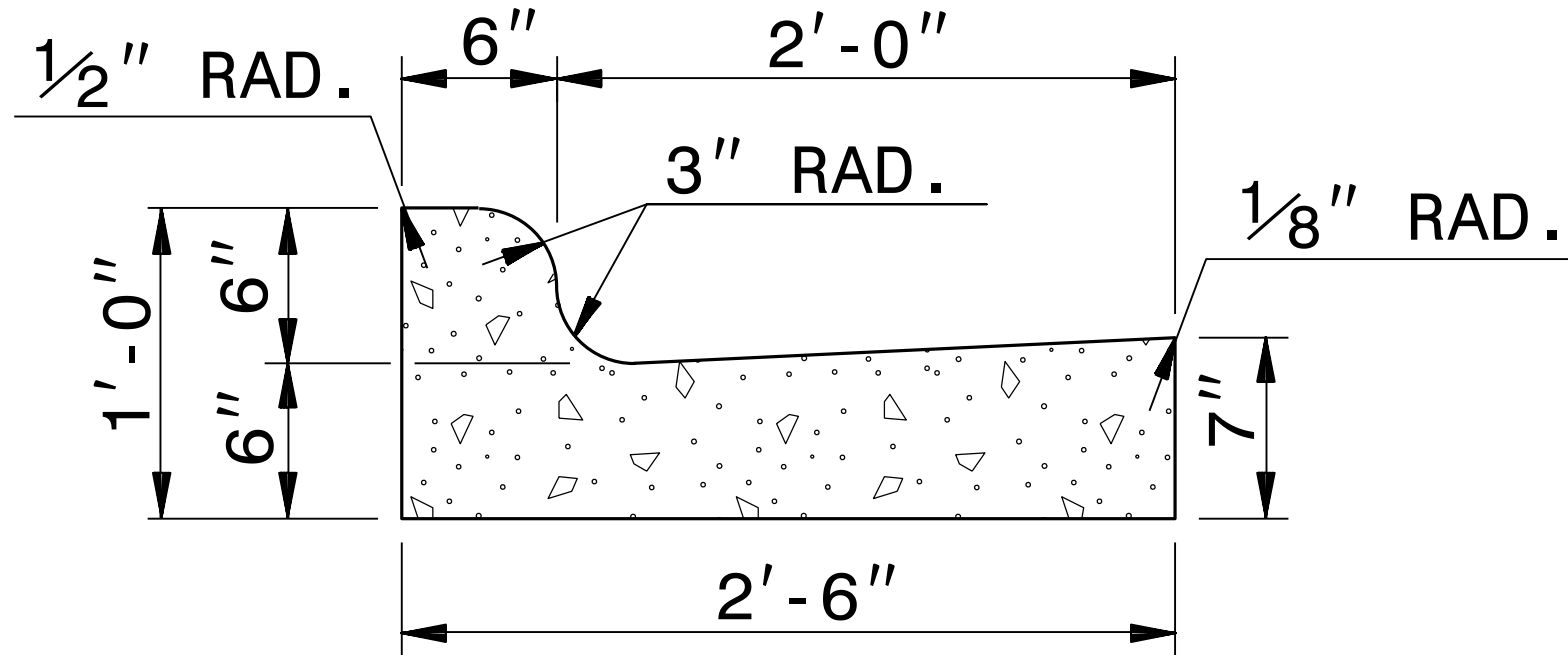
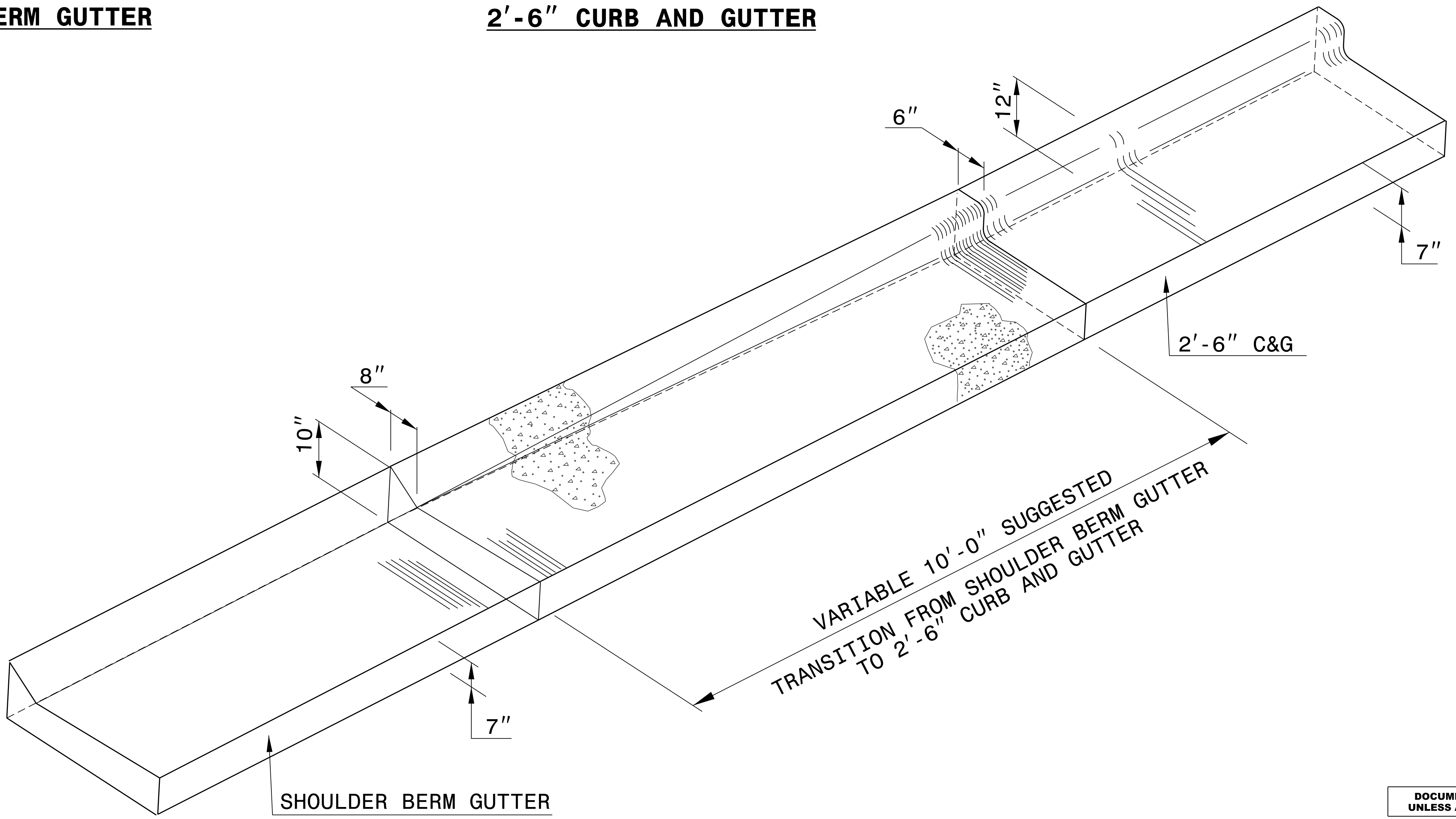


**SHOULDER BERM GUTTER**



**2'-6" CURB AND GUTTER**

\*NOTE: SEE STD. DWG. 846.01 FOR GENERAL NOTES



**ISOMETRIC VIEW OF TRANSITION**

VARIABLE 10'-0" SUGGESTED  
TRANSITION FROM SHOULDER BERM GUTTER  
TO 2'-6" CURB AND GUTTER



DOCUMENT NOT CONSIDERED FINAL  
UNLESS ALL SIGNATURES COMPLETED

**CONTRACT STANDARDS  
AND DEVELOPMENT UNIT**  
Office 919-707-6950 FAX 919-250-4119

**DETAIL OF SHOULDER BERM GUTTER  
TO 2'-6" CURB & GUTTER  
TRANSITION SECTION**

ORIGINAL BY: E.E. WARD DATE: 5-29-02  
 MODIFIED BY: DATE:  
 CHECKED BY: DATE:  
 FILE SPEC.: /usr/details/stand/cgtransit.dgn

20-OCT-2017 09:40  
S:\Contracts\ContractDetails\stand\c&g transition sections.dgn  
JHowerton AT USD-292595

5/14/99