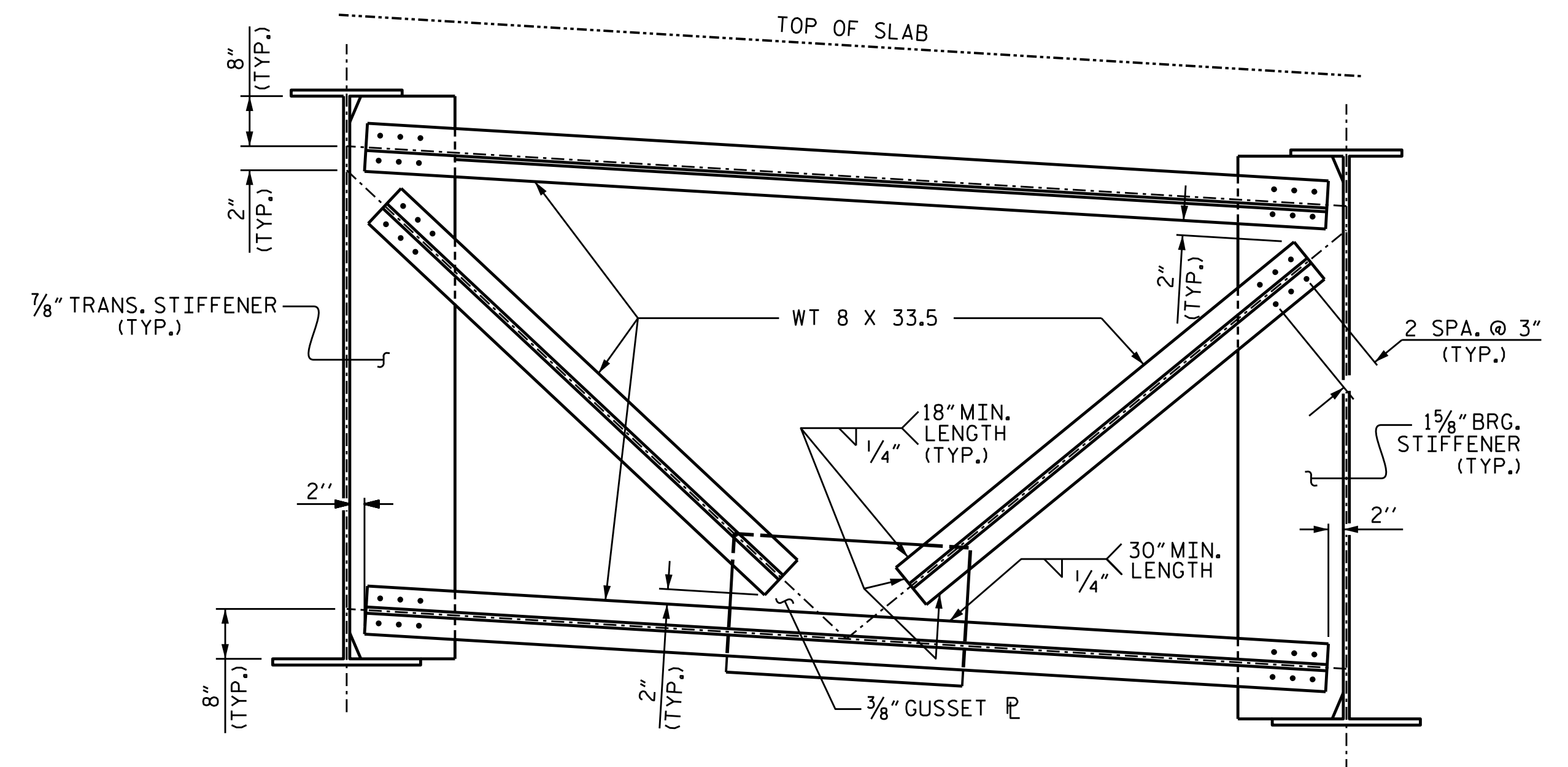
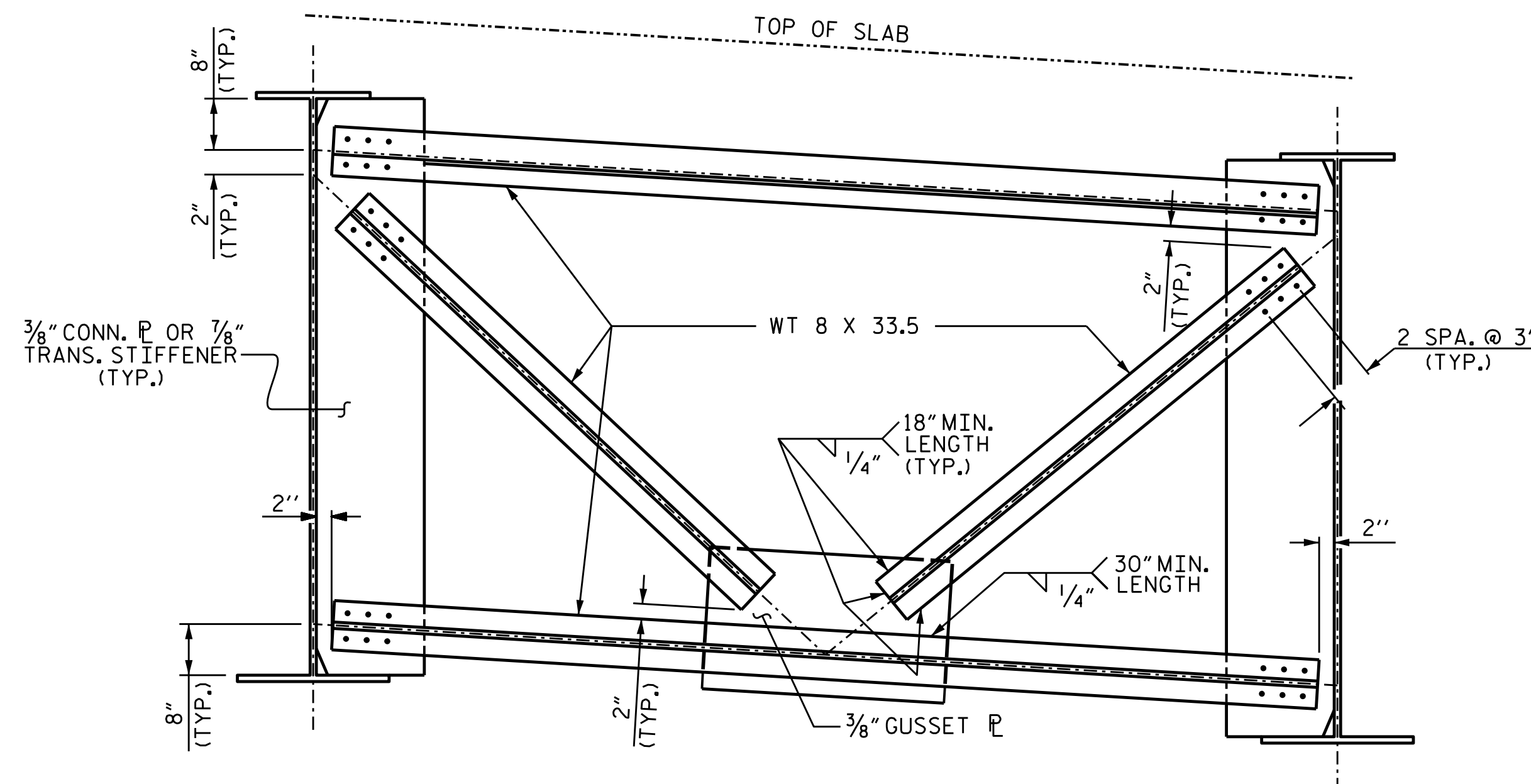


TYPICAL END BENT DIAPHRAGM D1
(18 TOTAL)



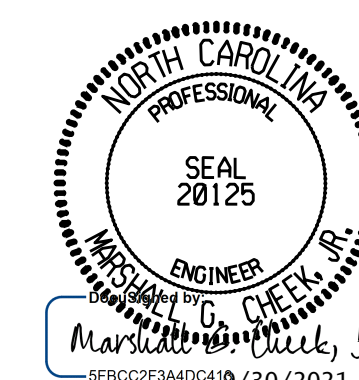
TYPICAL BENT DIAPHRAGM D3
(LOOKING UPSTATION)
(9 TOTAL)



TYPICAL INTERMEDIATE DIAPHRAGM D2
(LOOKING UPSTATION)
(144 TOTAL)

WATAUGA R-2566BA
WATAUGA COUNTY
STATION: 164+30.00 -L-

SHEET 2 OF 10



STATE OF NORTH CAROLINA
DEPARTMENT OF TRANSPORTATION
RALEIGH

SUPERSTRUCTURE
STRUCTURAL STEEL
DETAILS

DRAWN BY : S. B. WILLIAMS DATE : 4-19
CHECKED BY : MGC DATE : 6-19
DESIGN ENGINEER OF RECORD: RDE DATE : 9-21

9/23/2021
X:\NCDOT\R-2566BA\Structures\Final plans\DCN files\401.037.R-2566BA.SMU. SS02.518.940005.dgn
User: sbwilliams

DOCUMENT NOT CONSIDERED FINAL
UNLESS ALL SIGNATURES COMPLETED
TGS ENGINEERS
706 HILLSBOROUGH STREET
SUITE 200
RALEIGH, NC 27603
PH (919) 773-8887
CORP. LICENSE NO.: C-0275

REVISIONS						SHEET NO.
NO.	BY:	DATE:	NO.	BY:	DATE:	S-18
1			3			TOTAL SHEETS
2			4			79