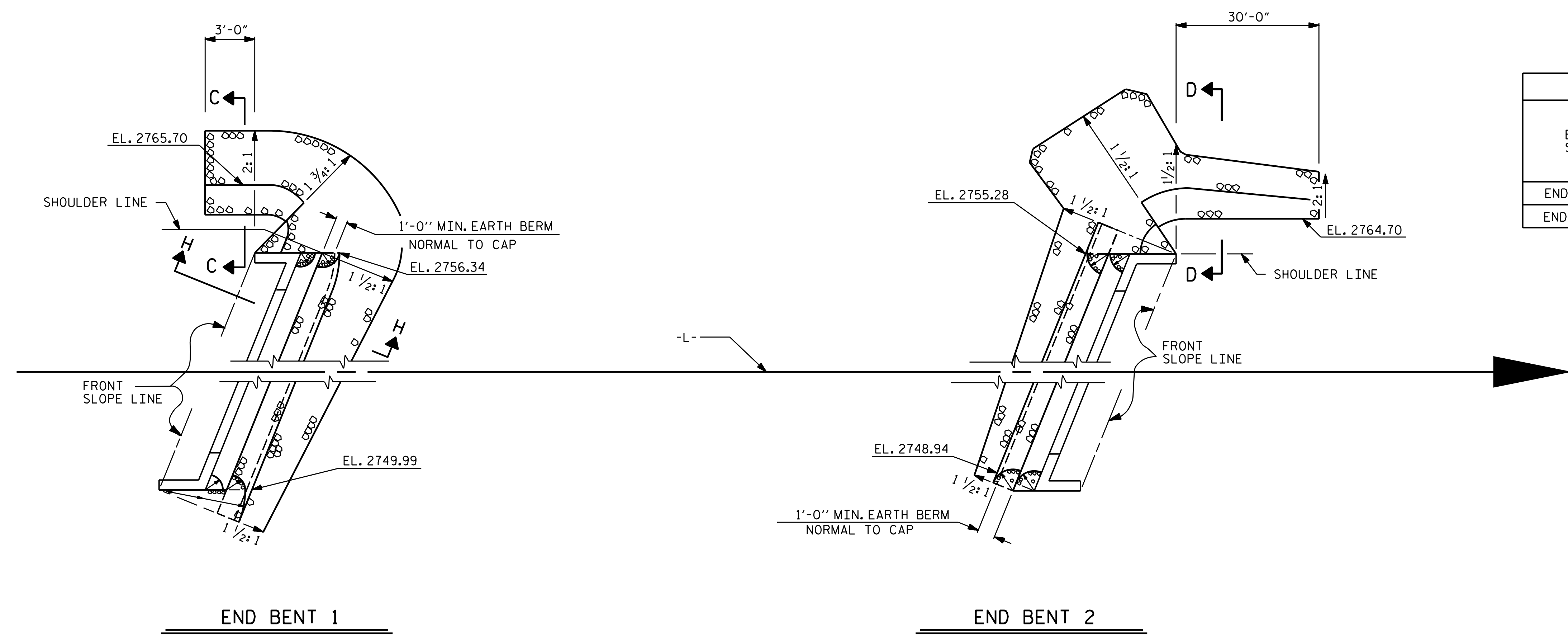
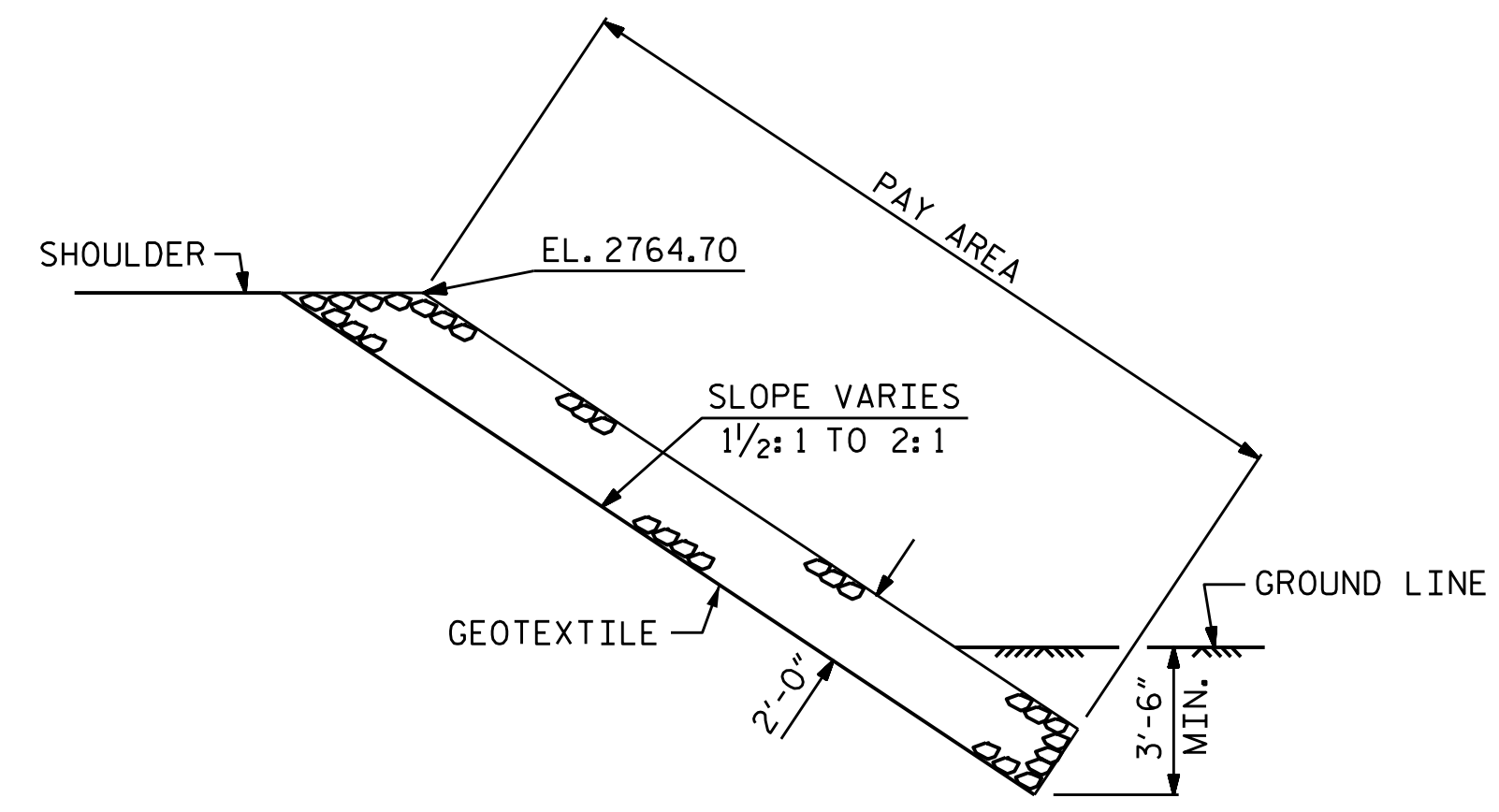


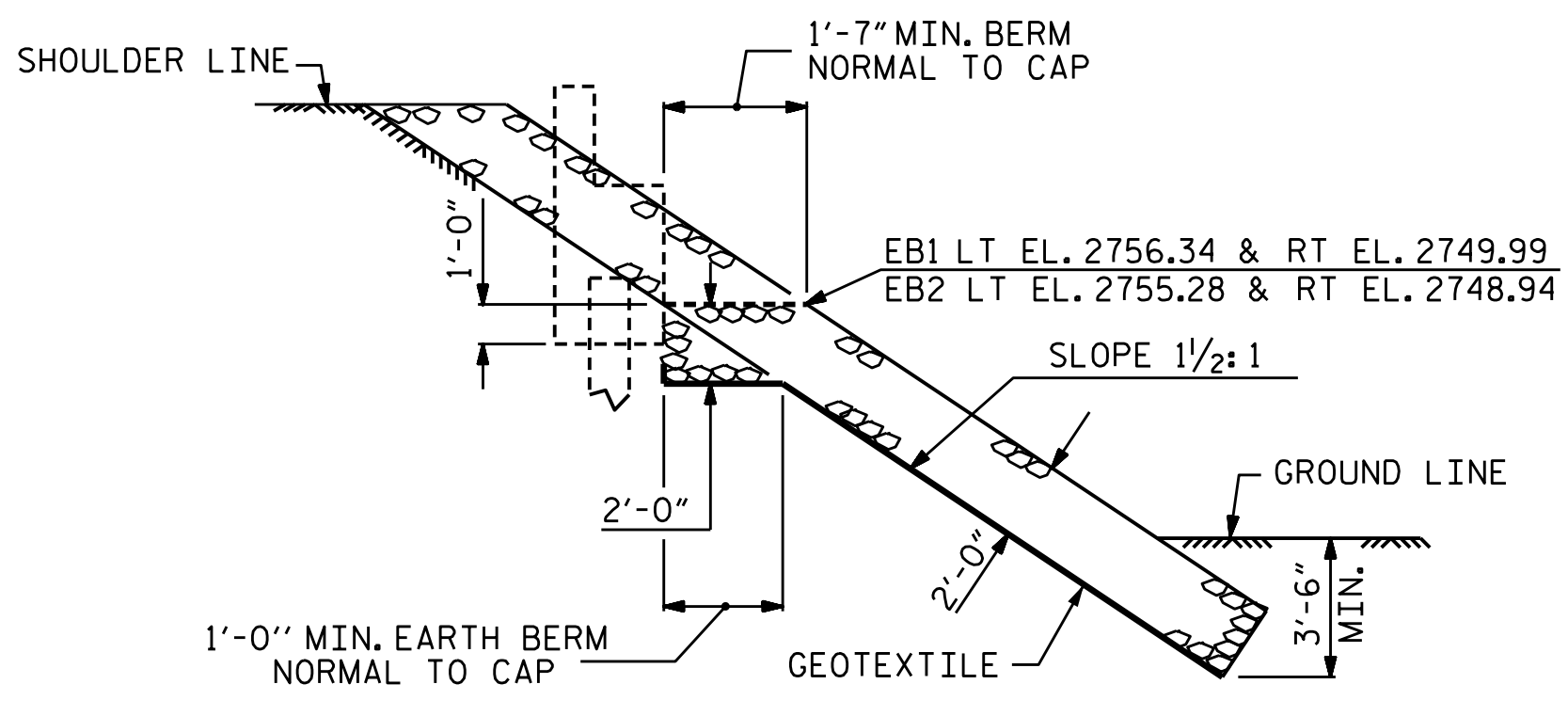
ESTIMATED QUANTITIES		
BRIDGE @ STA. 164+30.00 -L-	RIP RAP CLASS II (2'-0" THICK)	GEOTEXTILE FOR DRAINAGE
	TONS	SQUARE YARDS
END BENT 1	415	460
END BENT 2	210	230



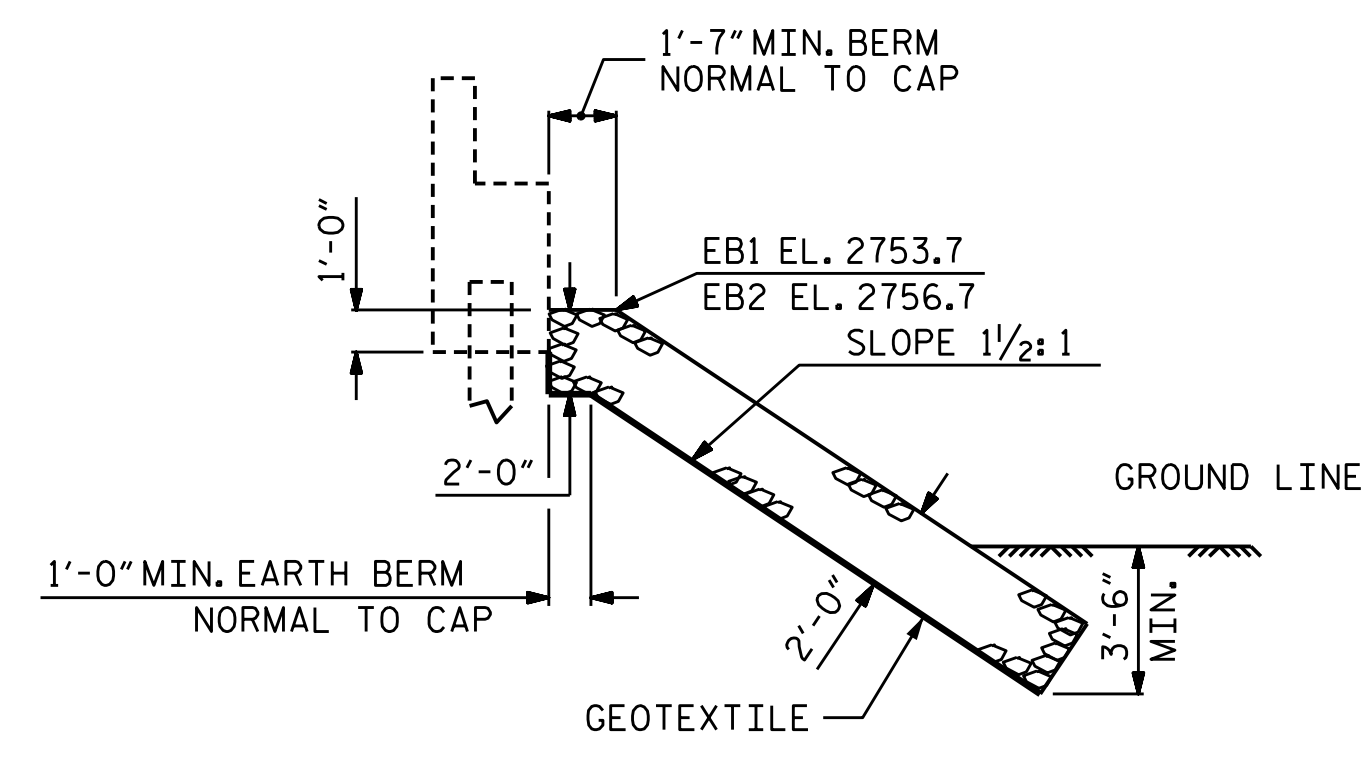
PLAN



SECTION D-D



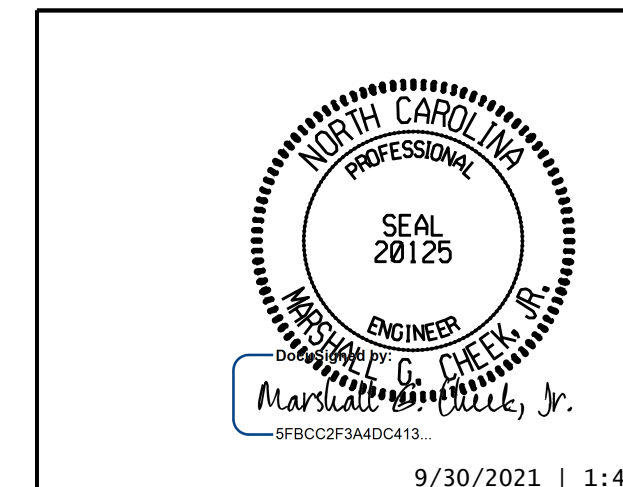
SECTION H-H



SECTION C-C

SECTION
BERM RIP RAPPED

PROJECT NO. R-2566BA
WATAUGA COUNTY
 STATION: 164+30.00 -L-



STATE OF NORTH CAROLINA
 DEPARTMENT OF TRANSPORTATION
 RALEIGH

RIP RAP DETAILS

ASSEMBLED BY : STM	DATE : 03/19
CHECKED BY : MGC	DATE : 04/19
DRAWN BY : REK 1/84	REV. 10/1/11 MAA/GM
CHECKED BY : RDU 1/84	REV. 12/21/11 MAA/GM
	REV. 12/17 MAA/THC

DOCUMENT NOT CONSIDERED FINAL
 UNLESS ALL SIGNATURES COMPLETED

TGS ENGINEERS
 706 HILLSBOROUGH STREET
 SUITE 200
 RALEIGH, NC 27603
 PH (919) 773-8887
 CORP. LICENSE NO.: C-0275

REVISIONS						SHEET NO.
NO.	BY:	DATE:	NO.	BY:	DATE:	S-75
1			3			TOTAL SHEETS
2			4			79