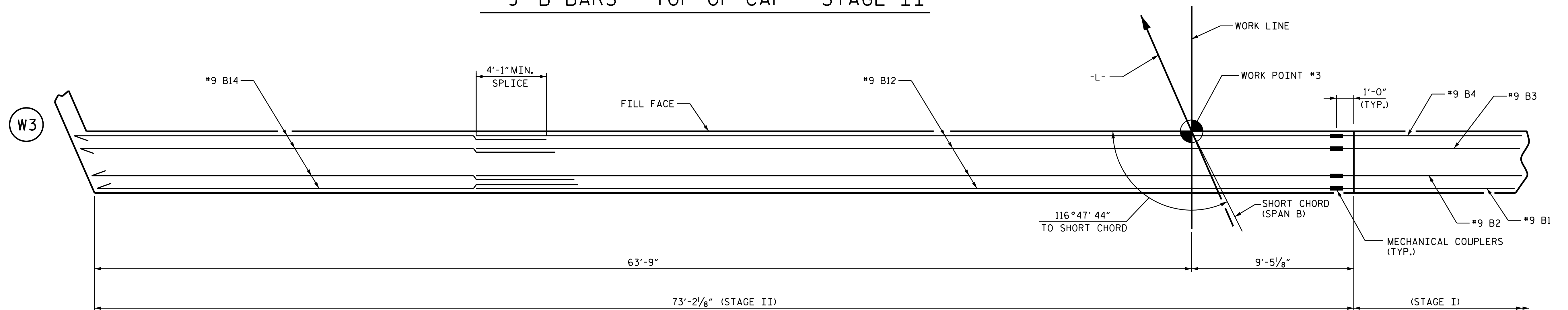
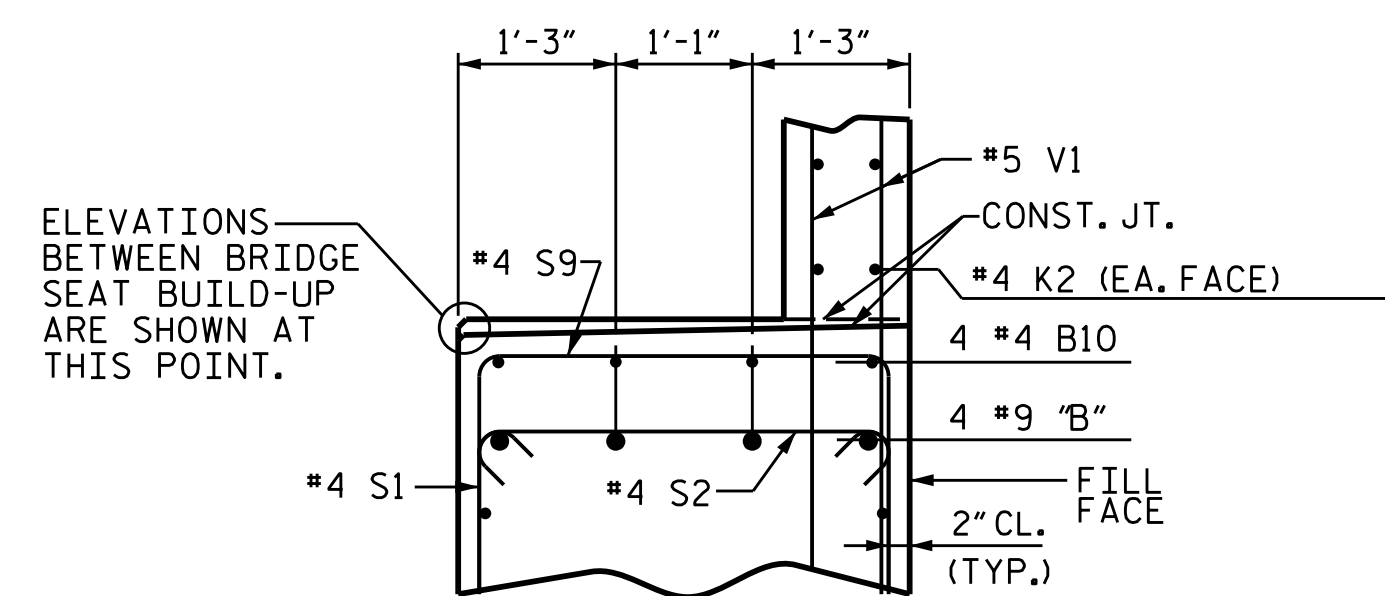


#9 "B" BARS - TOP OF CAP - STAGE II



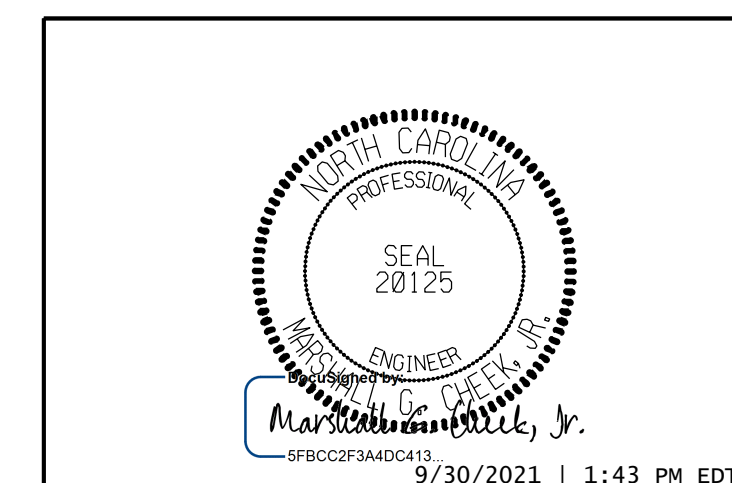
#9 "B" BARS - BOTTOM OF CAP - STAGE II



SECTION B-B

PROJECT NO. R-2566BA
WATAUGA COUNTY
 STATION: 164+30.00-L-

SHEET 8 OF 10



STATE OF NORTH CAROLINA
 DEPARTMENT OF TRANSPORTATION
 RALEIGH
 SUBSTRUCTURE

END BENT 2
 STAGE II DETAILS

DRAWN BY : NMW DATE : 3/19
 CHECKED BY : RAR DATE : 6/19
 DESIGN ENGINEER OF RECORD : TBE DATE : 6/19

DOCUMENT NOT CONSIDERED FINAL
 UNLESS ALL SIGNATURES COMPLETED

TGS ENGINEERS
 804-C N. LAFAYETTE ST
 SHELBY, NC 28150
 PH (704) 476-0003
 CORP. LICENSE NO.: C-0275

REVISIONS						SHEET NO.
NO.	BY:	DATE:	NO.	BY:	DATE:	S-72
1			3			TOTAL SHEETS
2			4			79