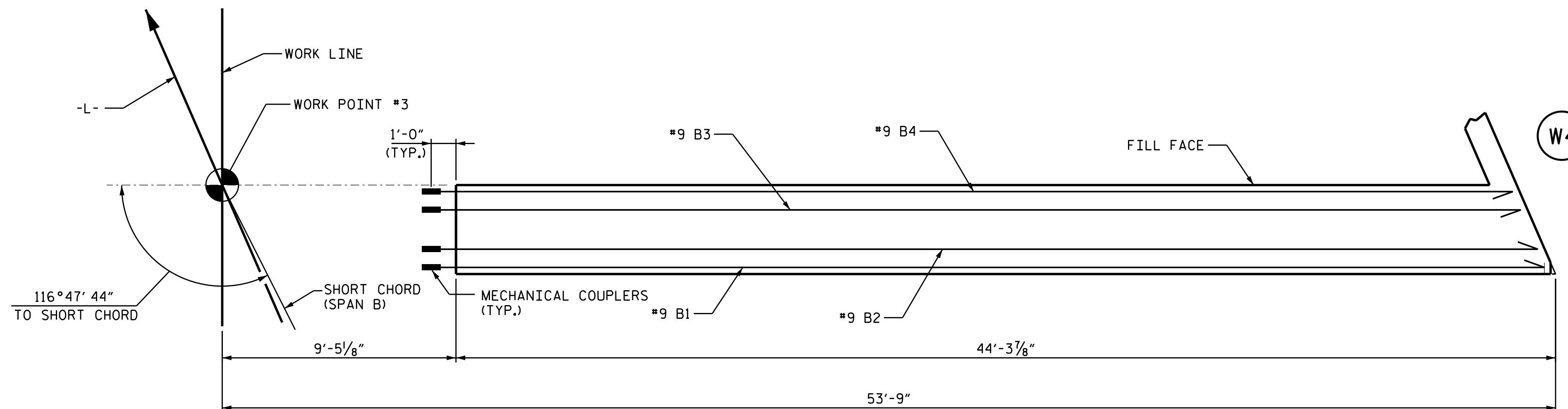
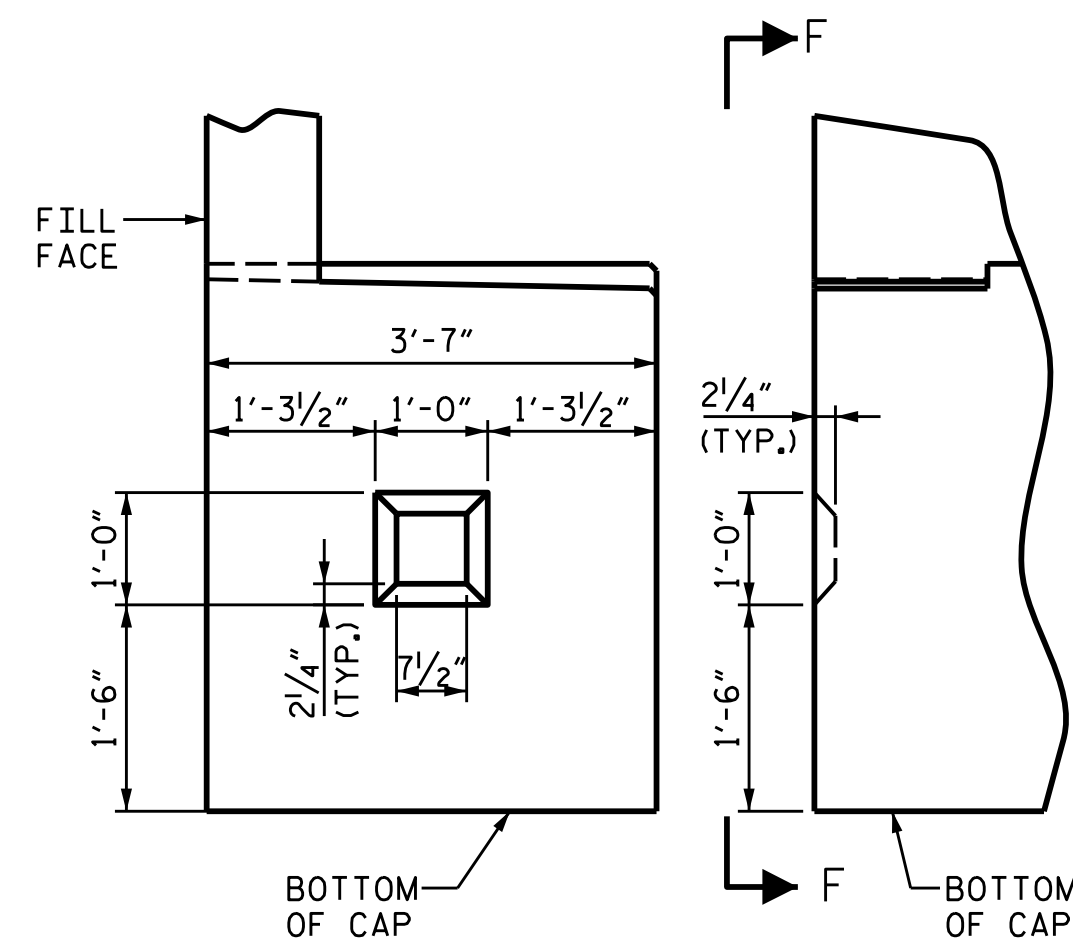


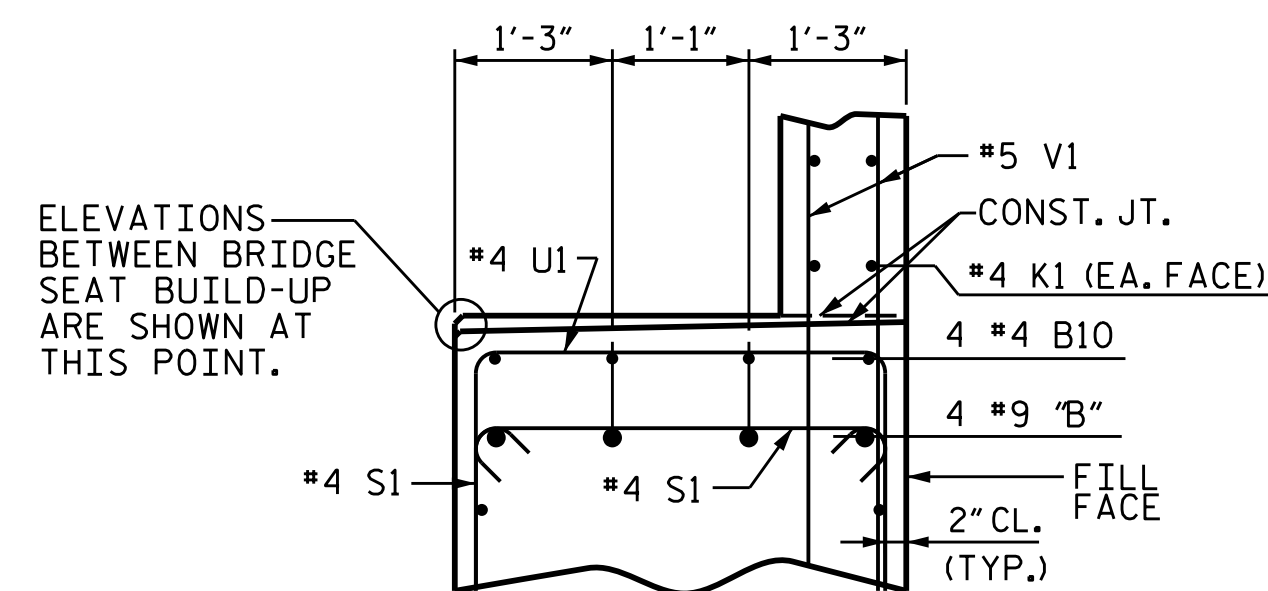
#9 "B" BARS - TOP OF CAP - STAGE I



#9 "B" BARS - BOTTOM OF CAP - STAGE I



SECTION F-F  
SHEAR KEY DETAIL



SECTION B-B

PROJECT NO. R-2566BA

WATAUGA COUNTY

STATION: 164+30.00-L-

SHEET 3 OF 10



DOCUMENT NOT CONSIDERED FINAL  
UNLESS ALL SIGNATURES COMPLETED

TGS ENGINEERS  
804-C N. LAFAYETTE ST  
SHELBY, NC 28150  
PH (704) 476-0003  
CORP. LICENSE NO.: C-0275

STATE OF NORTH CAROLINA  
DEPARTMENT OF TRANSPORTATION  
RALEIGH  
SUBSTRUCTURE

END BENT 2  
STAGE I DETAILS

DRAWN BY : NMW DATE : 3/19  
CHECKED BY : RAR DATE : 6/19  
DESIGN ENGINEER OF RECORD : TBE DATE : 6/19

REVISIONS						SHEET NO.
NO.	BY:	DATE:	NO.	BY:	DATE:	S-67
1			3			TOTAL SHEETS
2			4			79